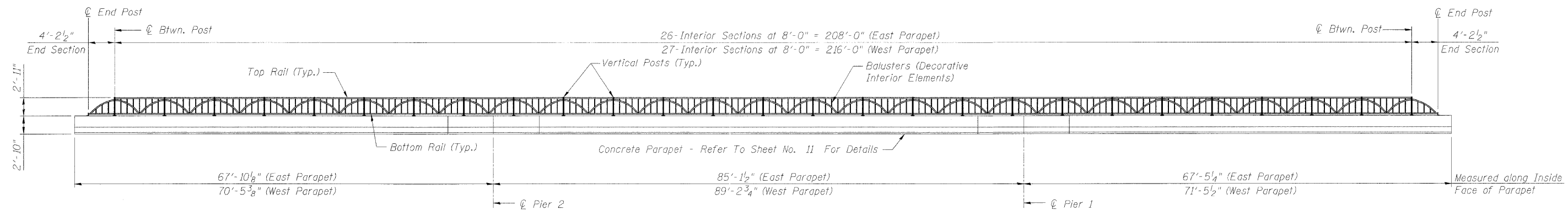


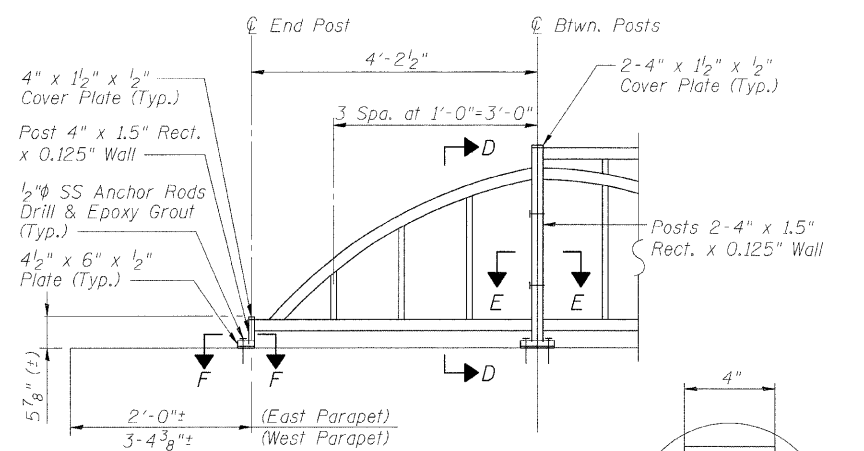
STATE OF ILLINOIS
DEPARTMENT OF TRANSPORTATION

ROUTE NO.	SECTION	COUNTY	STATION	SHEET	SHEET NO. 15
F.A.P. 308	*	ROCK ISLAND	210	130	32 SHEETS
FED. ROAD DIST. NO. 7	ILLINOIS	FED. AID PROJECT-			

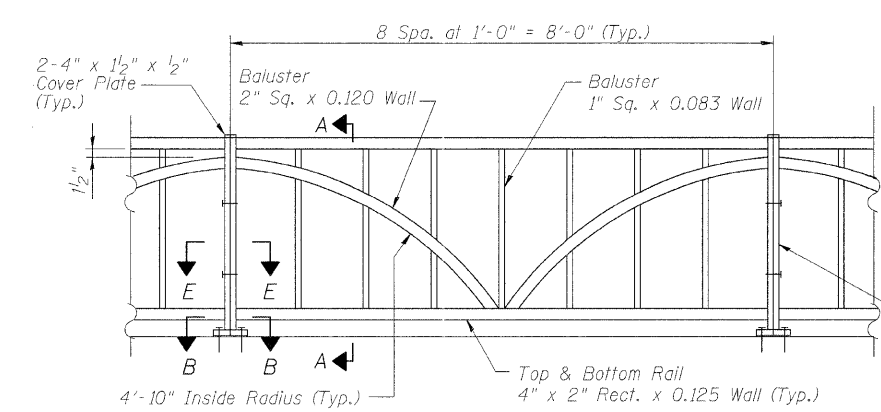
Contract #64814 * (HB, HB-1, VB, HB-2)R



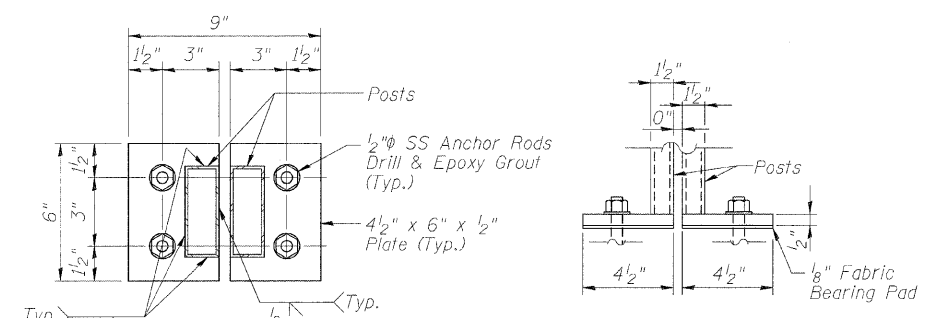
ORNAMENTAL BRIDGE RAIL ELEVATION



TYPICAL END SECTION



TYPICAL INTERIOR SECTION



SECTION B-B

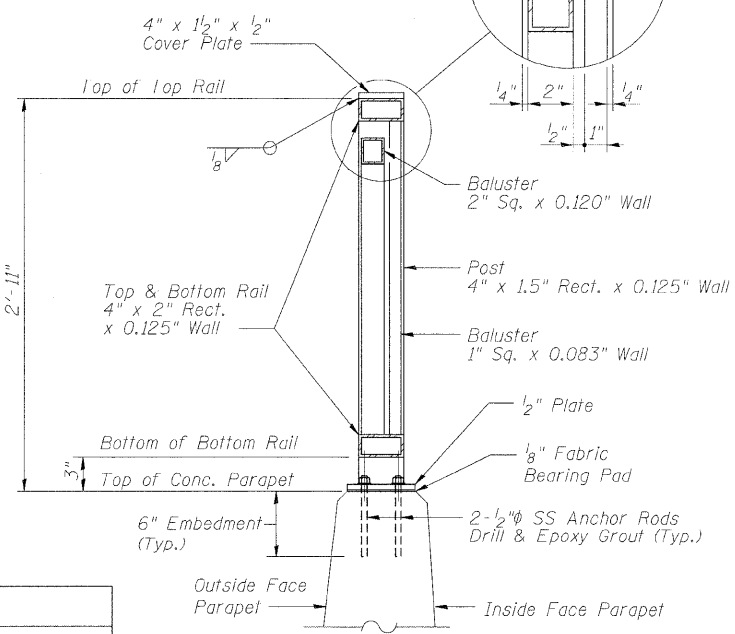
VIEW C-C

BILL OF MATERIAL

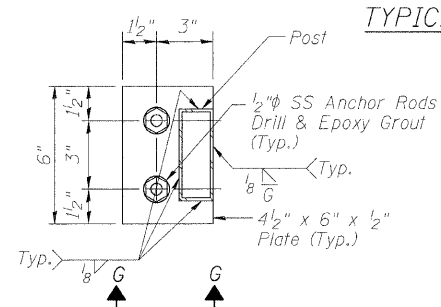
Item	Unit	Quantity
Ornamental Railing	Foot	441

NOTES

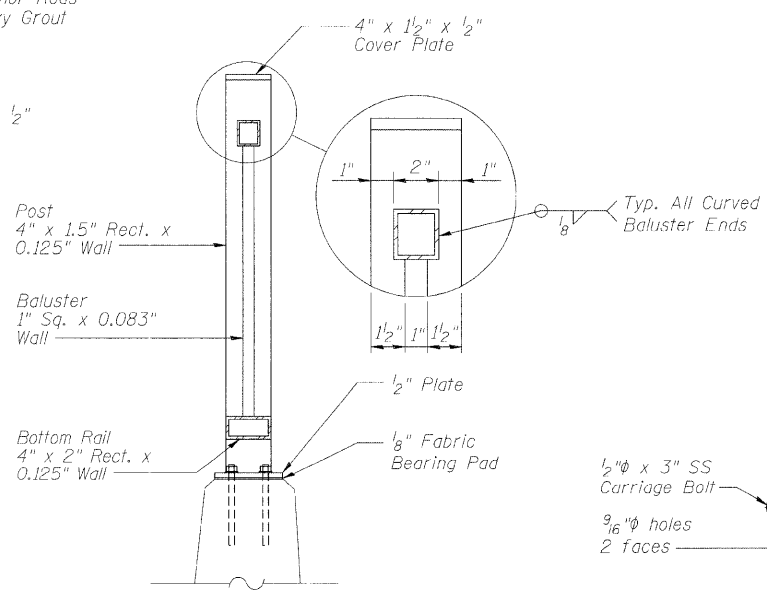
- Ornamental Rail. Ornamental-Aluminum alloy rail shall conform to the requirements of Alloy 6061-T6 with a minimum yield of 35,000 psi, a minimum tensile strength of 38,000 psi, and an elongation of 10 percent in 2 in.
- Stainless Steel Carriage Bolts. Stainless steel nuts, washers, lock washers, carriage bolts shall conform to the requirements of Article 1006.29(d) of the Standard Specifications.
- Stainless Steel Bars. Stainless steel bars shall conform to the requirements of ASTM A 276, Type No. 302 or 304, Condition B. Threads, when required, shall be Class 2B.
- Three stainless steel shims per post (1 at 1/8 in. and 2 at 1/16 in.) shall be provided for 25 percent of the posts. Shims shall be similar to base plate in size and holes. Shims shall be installed as req'd. between base plate and fabric bearing pad.
- The pay item Ornamental Railing shall include all costs associated with the fabrication and erection of aluminum rail shown. The cost of anchor rods, plates, bolts and fabric bearing pads shall be included with Ornamental Railing.



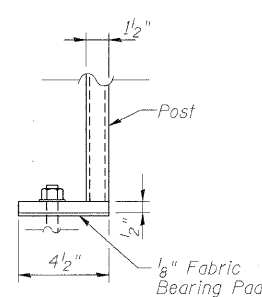
SECTION A-A



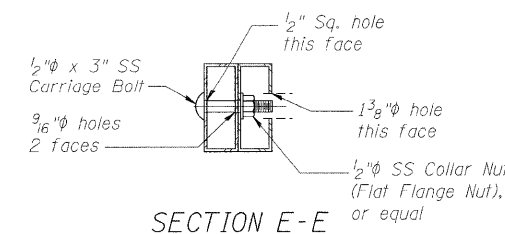
SECTION F-F



SECTION D-D



VIEW G-G



SECTION E-E

ALIGNMENT CONNECTION DETAIL
(Typ. 2 places per paired post)

DESIGNED CMM
CHECKED AMK
DRAWN
CHECKED RWC

LOCHNER
H.W. LOCHNER, INC., CHICAGO, ILLINOIS

ORNAMENTAL RAILING DETAILS
IL ROUTE 92 (CENTENNIAL EXPRESSWAY)
OVER IAIS RAILROAD
FAP ROUTE 308 SEC. 1(VB)R
ROCK ISLAND COUNTY
STATION 1507+04.10
STRUCTURE NO. 081-0170

t:\2082\est-uct\cgn\2044029RD1.dgn