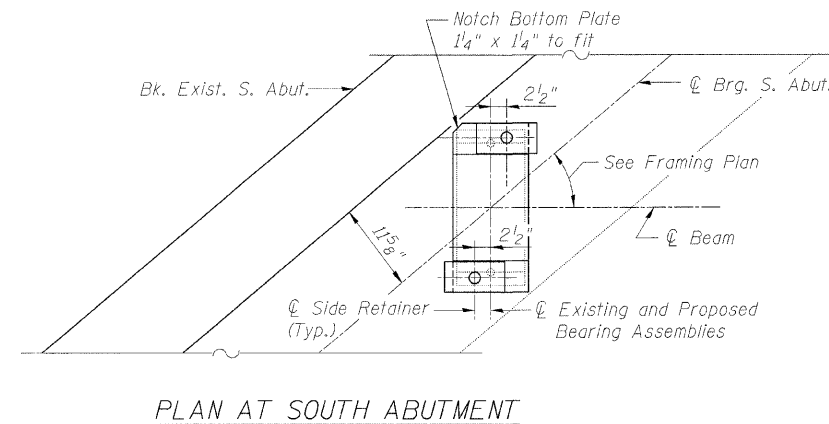
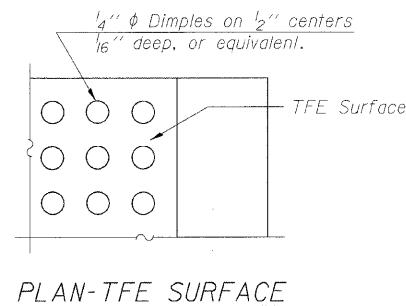
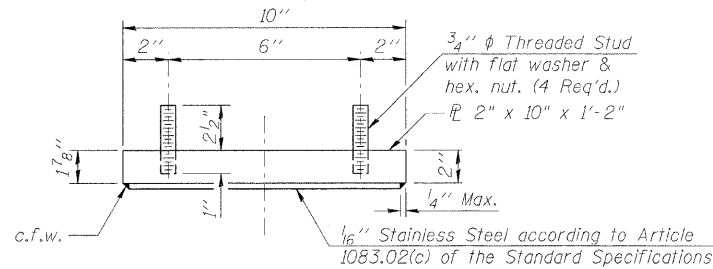
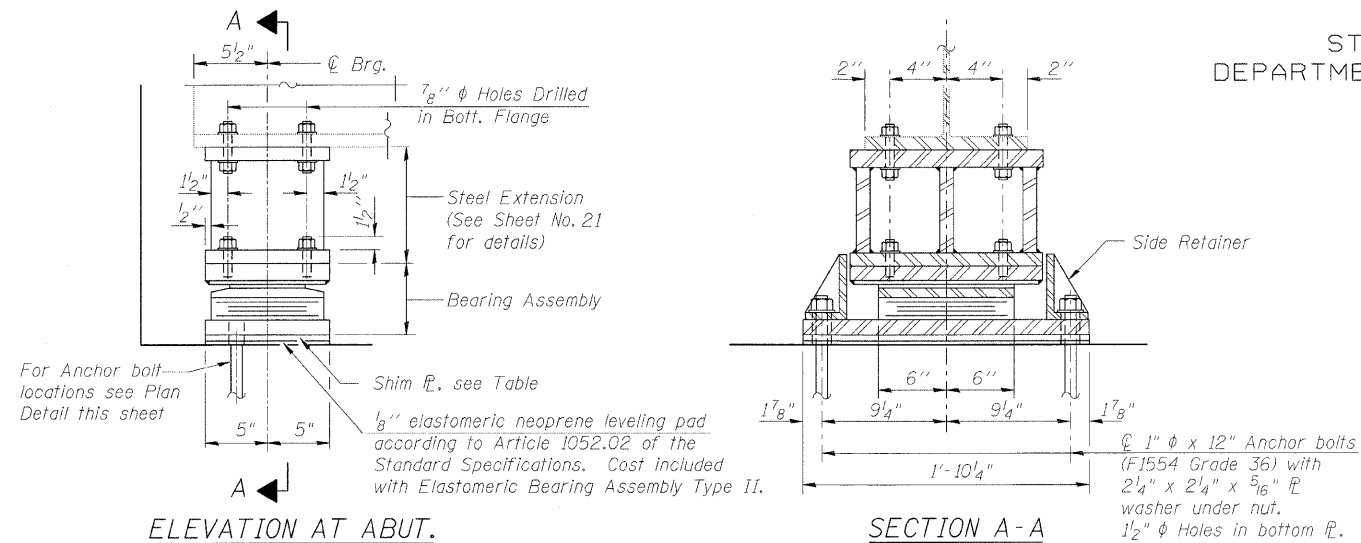


STATE OF ILLINOIS
DEPARTMENT OF TRANSPORTATION

ROUTE NO. F.A.P. 308	SECTION *	COUNTY ROCK ISLAND	POST MILES 210	SHEET NO. 137	SHEET NO. 22 32 SHEETS
FED. ROAD DIST. NO. 7		ILLINOIS		FED. AID PROJECT	

Contract #64814 * (IHB, HB-1, VB, HB-2)R



Notes:
Anchor bolts shall be ASTM F1554 all-thread (or an Engineer-approved alternate material) of the grade(s) and diameter(s) specified. ASTM A307 Grade C anchor bolts may be used in lieu of ASTM F1554 Grade 36 (Fy=36ksi). The corresponding specified grade of AASHTO M314 anchor bolts may be used in lieu of ASTM F1554.

Anchor bolts for Type II bearings shall be placed in holes drilled through the bottom bearing plate after members are in place. Side retainers shall be placed after bolts are installed.

Drilled and set anchor bolts shall be installed according to Article 521.06 of the Standard Specifications.

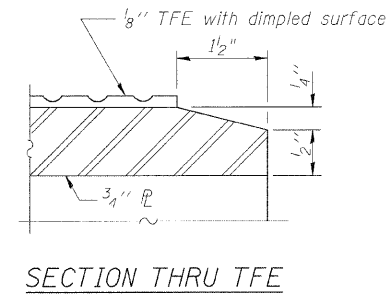
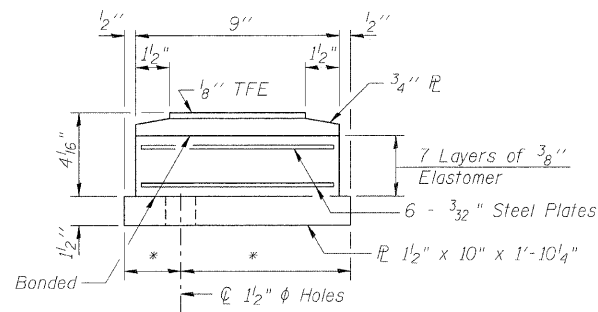
Side retainers and other steel members required for the bearing assembly shall be included in the cost of Elastomeric Bearing Assembly, Type II.

The 1/8" TFE sheet shall be bonded directly to the top steel plate with a two-component, medium viscosity epoxy resin, conforming to the requirements of the Federal Specification MMM-A-134, Type I. The bond agent shall be applied on the full area of the contact surfaces.

Bonding of 1/8" TFE sheet during vulcanizing process will be permitted provided the process and method of adjusting assembly height is approved by the Engineer.

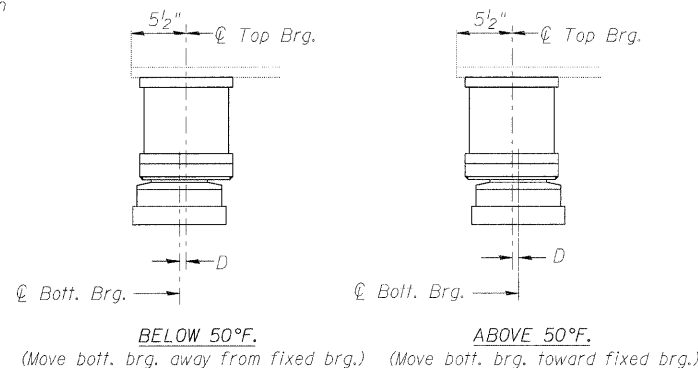
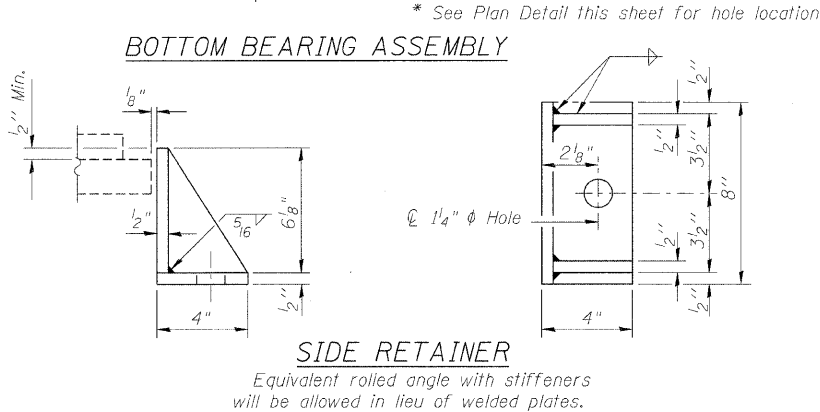
For Existing Bearing Removal Details and Beam Reaction Table, see Sheet No. 21

Two 1/8" adjusting shims shall be provided for each bearing in addition to all other plates or shims and placed as shown on bearing details.



SHIM PLATES
(South Abutment only)

Beam	Shim Plate Thickness
1	0
2	1/2"
3	0
4	3/8"
5	5/8"
6	0
7	0
8	1/4"
9	3/8"
10	3/8"
11	3/8"
12	3/8"
13	1/8"
14	0



SETTING ANCHOR BOLTS AT EXP. BRG.

D = 1/8" per each 100' of expansion for every 15° temp. change from the normal temp. of 50°F.

DESIGNED	AMK
CHECKED	CMM
DRAWN	EF
CHECKED	RWC

LOCHNER
H.W. LOCHNER, INC., CHICAGO, ILLINOIS

BEARING DETAILS 2
IL ROUTE 92 (CENTENNIAL EXPRESSWAY)
OVER IAIS RAILROAD
FAP ROUTE 308 SEC. 1(VB)R
ROCK ISLAND COUNTY
STATION 1507+04.10
STRUCTURE NO. 081-0064