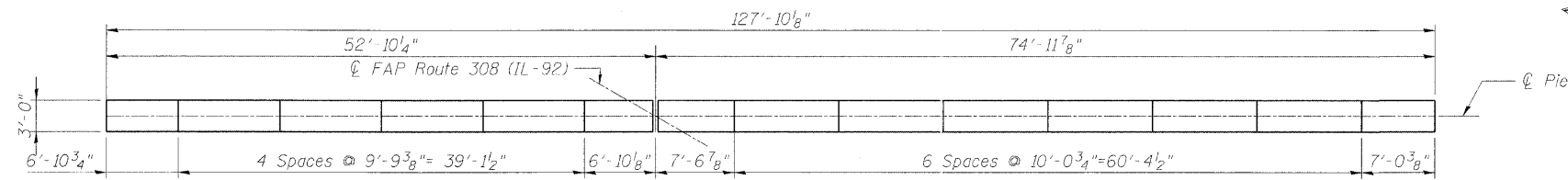


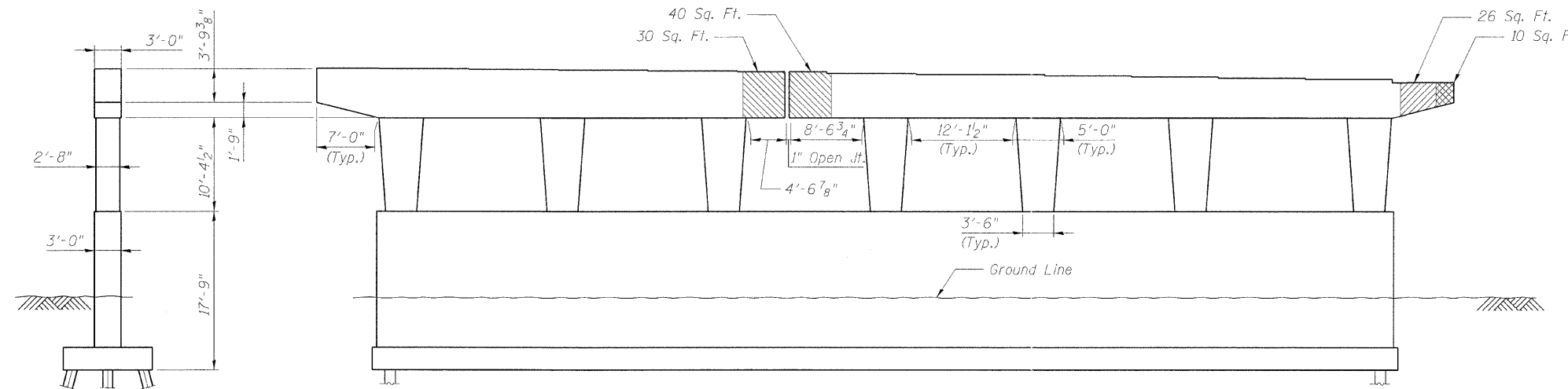
STATE OF ILLINOIS
DEPARTMENT OF TRANSPORTATION

ROUTE NO.	SECTION	COUNTY	SHEET NO.	SHEET NO.
F.A.P. 308	#	ROCK ISLAND	210	142
FED. ROAD DIST. NO. 7		ILLINOIS		FED. AID PROJECT
Contract #64814		* I(HB,HB-1,VB,HB-2)R		

SHEET NO. 27
32 SHEETS

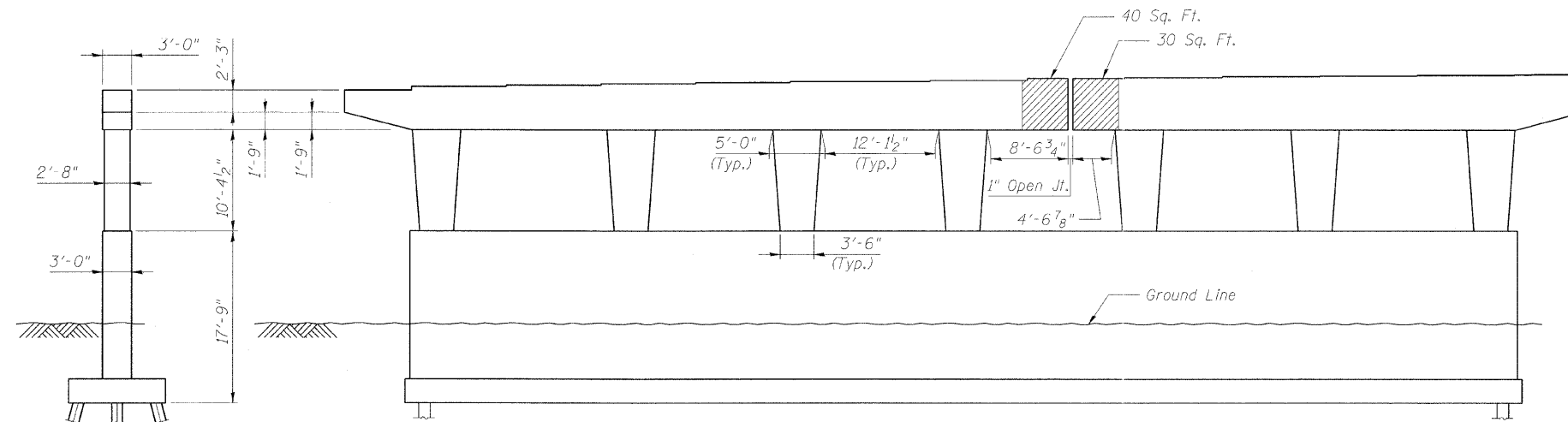


PLAN



ELEVATION
(Looking Southwest)

END VIEW
(Looking Northwest)



ELEVATION
(Looking Northeast)

END VIEW
(Looking Southeast)

LEGEND

- Structural Repair of Concrete
(Depth Equal to or less than 5 inches)
- Structural Repair of Concrete
(Depth Greater than 5 inches)

BILL OF MATERIAL

Item	Unit	Total
Structural Repair of Concrete (Depth Equal to or less than 5 inches)	Sq. Ft.	166
Structural Repair of Concrete (Depth Greater than 5 inches)	Sq. Ft.	10

Note: Locations of Structural Repair of Concrete shown are approximate. The final locations of the repairs will be determined by the Engineer in the field.

PIER 1 REPAIRS
IL ROUTE 92 (CENTENNIAL EXPRESSWAY)
OVER IAIS RAILROAD
FAP ROUTE 308 SEC. 1(VB)R
ROCK ISLAND COUNTY
STATION 1507+04.10
STRUCTURE NO. 081-0064

DESIGNED JDG	DBS DB STERLIN CONSULTANTS, INC. 123 N. WACKER DRIVE SUITE 2003 CHICAGO, ILLINOIS 60606 TEL. 312/857-1006 FAX. 312/857-1056
CHECKED WPK	
DRAWN DCS	
CHECKED JDG	

12/02/07 12:41:07 PM t:\2002\struct\den\From DBS\RR_Fin\204402P1.dgn