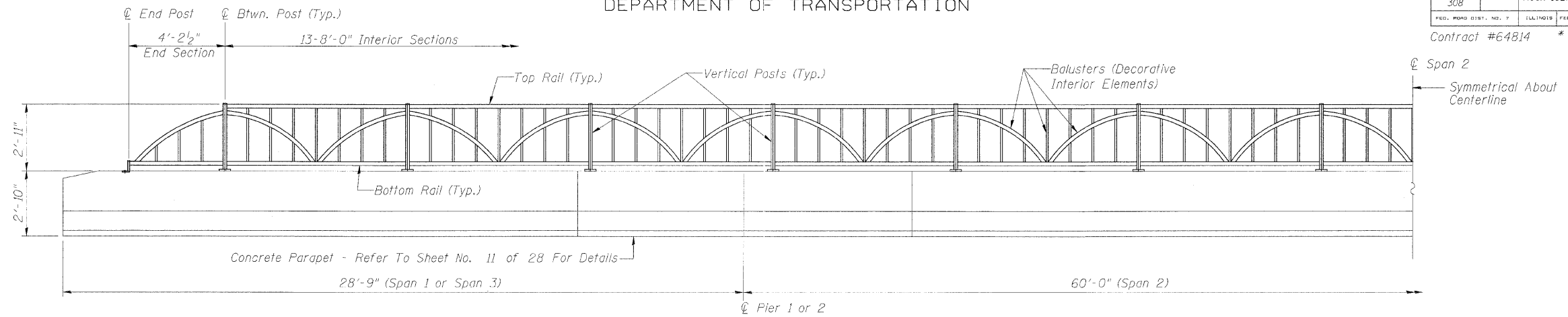
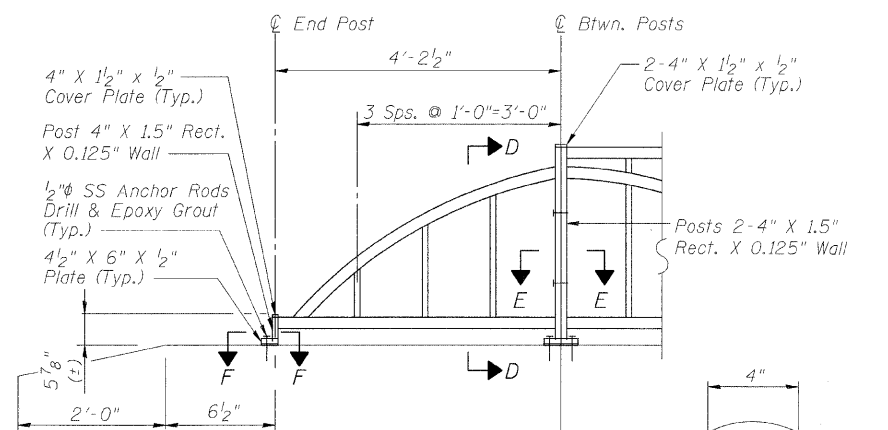


STATE OF ILLINOIS  
DEPARTMENT OF TRANSPORTATION

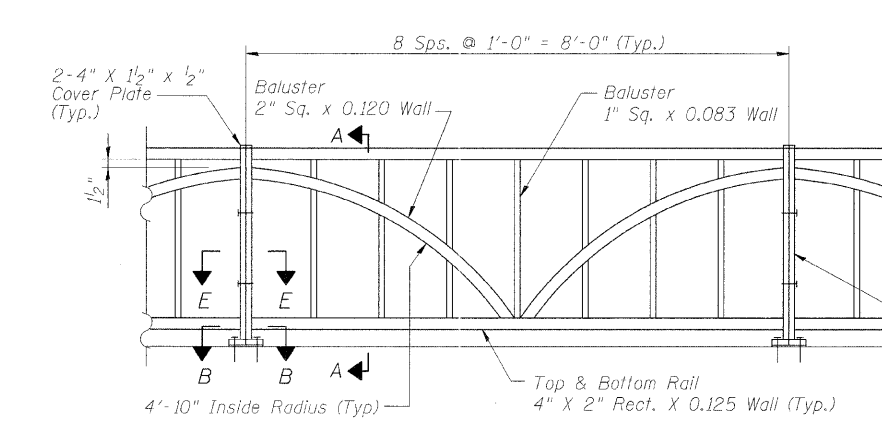
ROUTE NO.	SECTION	COUNTY	STATION	SHEET	SHEET NO. 12 28 SHEETS
F.A.P. 308	#	ROCK ISLAND	210	159	
FED. AID DIST. NO. 7		ILLINOIS	FED. AID PROJECT		Contract #64814 * 1(HB,HB-1,VB,HB-2)R



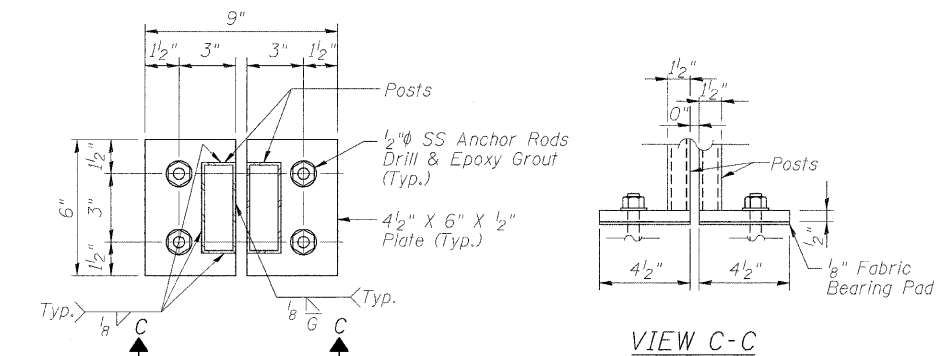
**AESTHETIC BRIDGE RAIL ELEVATION**  
(Exterior Elevation)



**TYPICAL END SECTION**



**TYPICAL INTERIOR SECTION**



**SECTION B-B**

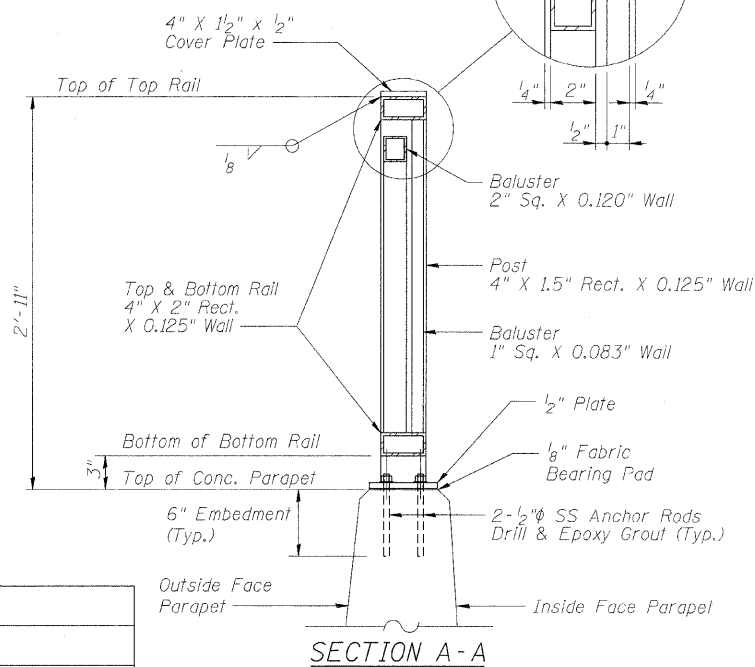
**VIEW C-C**

**BILL OF MATERIAL**

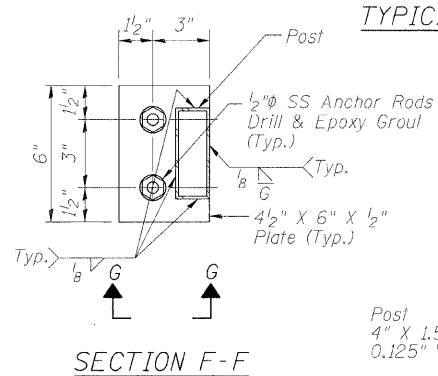
Item	Unit	Quantity
Ornamental Railing	Foot	225

**NOTES:**

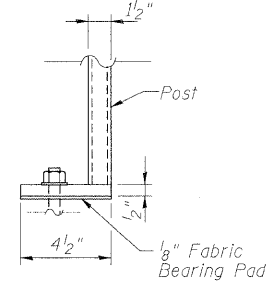
- Ornamental Rail. Ornamental-Aluminum alloy rail shall conform to the requirements of Alloy 6061-T6 with a minimum yield of 35,000 psi, a minimum tensile strength of 38,000 psi, and an elongation of 10 percent in 2 in.
- Stainless Steel Carriage Bolts. Stainless steel nuts, washers, lock washers, carriage bolts shall conform to the requirements of Article 1006.29(d) of the Standard Specifications.
- Stainless Steel Bars. Stainless steel bars shall conform to the requirements of ASTM A 276, Type No. 302 or 304, Condition B. Threads, when required, shall be Class 2B.
- Three stainless steel shims per post (1 at 1/8 in. and 2 at 1/16 in.) shall be provided for 25 percent of the posts. Shims shall be similar to base plate in size and holes. Shims shall be installed as req'd. between base plate and fabric bearing pad.
- The pay item Ornamental Railing shall include all costs associated with the fabrication and erection of aluminum rail shown. The cost of anchor rods, plates, bolts and fabric bearing pads shall be included with Ornamental Railing.



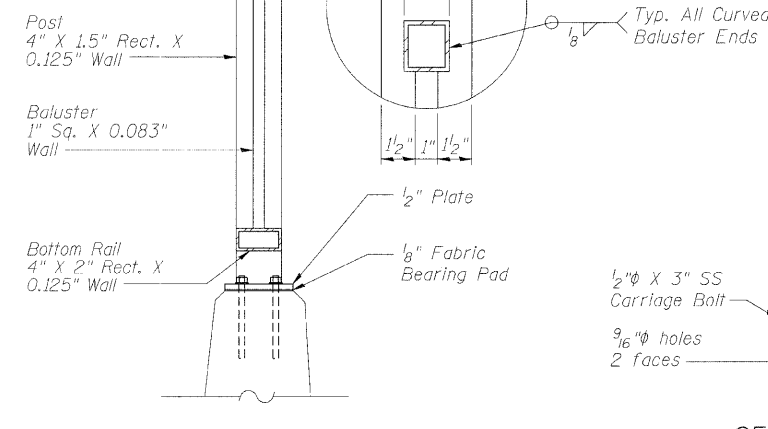
**SECTION A-A**



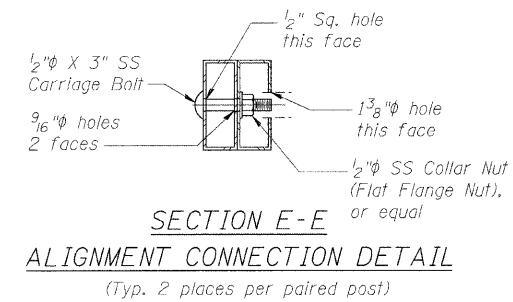
**SECTION F-F**



**VIEW G-G**



**SECTION D-D**



**SECTION E-E**  
**ALIGNMENT CONNECTION DETAIL**  
(Typ. 2 places per paired post)

DESIGNED	CMM
CHECKED	AMK
DRAWN	
CHECKED	RWC

**LOCHNER**  
H.W. LOCHNER, INC., CHICAGO, ILLINOIS

**ORNAMENTAL RAILING DETAILS**  
IL ROUTE 92 (CENTENNIAL EXPRESSWAY)  
OVER 18th AVENUE  
FAP ROUTE 308 SEC. 1(HB-1)R  
ROCK ISLAND COUNTY  
STATION 1517+79.41  
STRUCTURE NO. 081-0171