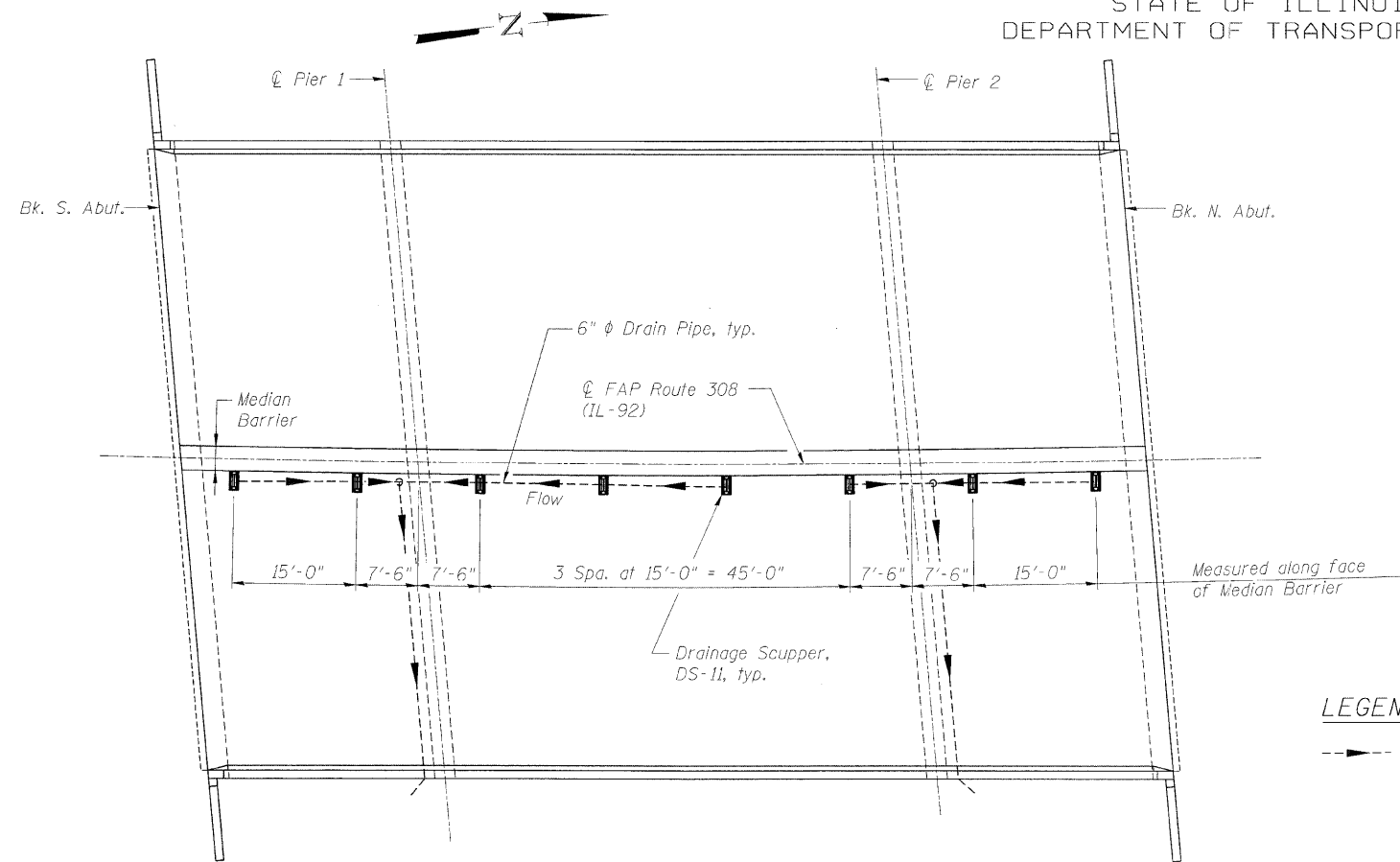
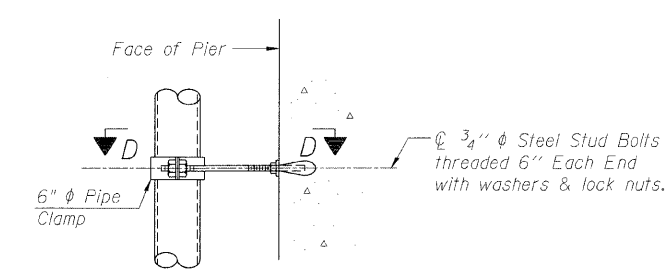


STATE OF ILLINOIS
DEPARTMENT OF TRANSPORTATION

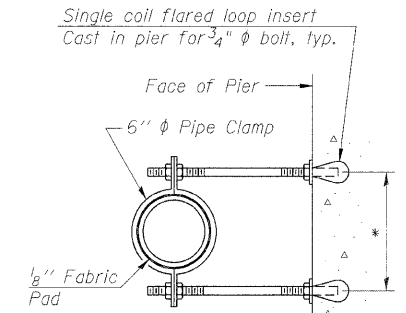
ROUTE NO. F.A.P. 308	SECTION *	COUNTY ROCK ISLAND	SHEET NO. 210	SHEET NO. 161	SHEET NO. 14 28 SHEETS
FED. ROAD DIST. NO. 7		ILLINOIS FED. AID PROJECT-		Contract #64814 * (HB,HB-1,VB,HB-2)R	



DECK DRAINAGE PLAN



PIPE BRACKET DETAIL

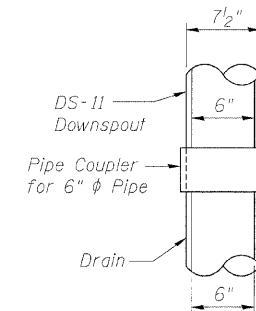


SECTION D-D

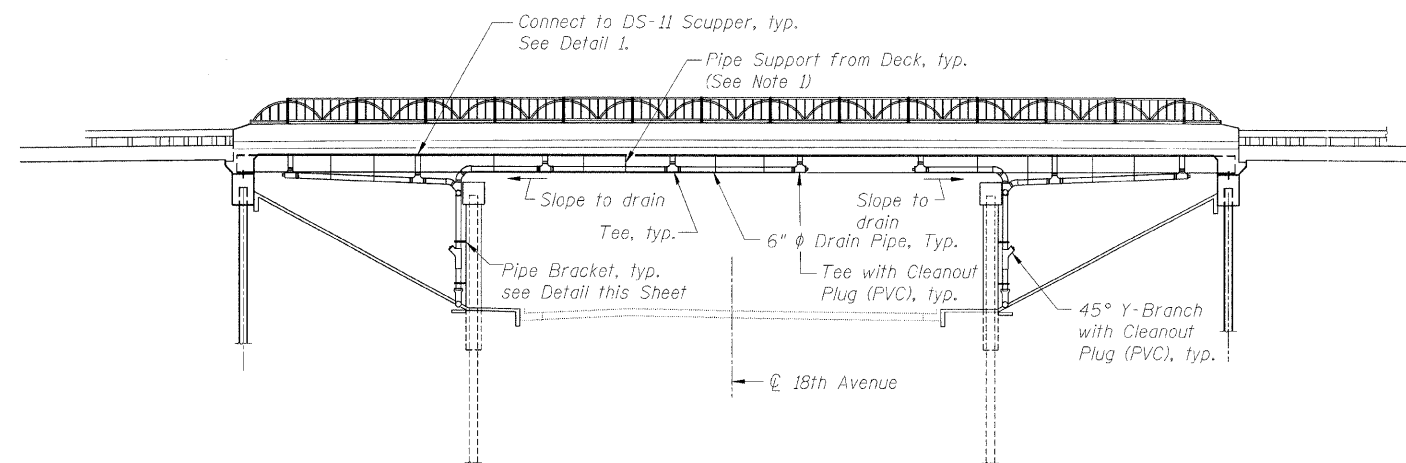
* Dimension as required by Pipe Clamp

LEGEND

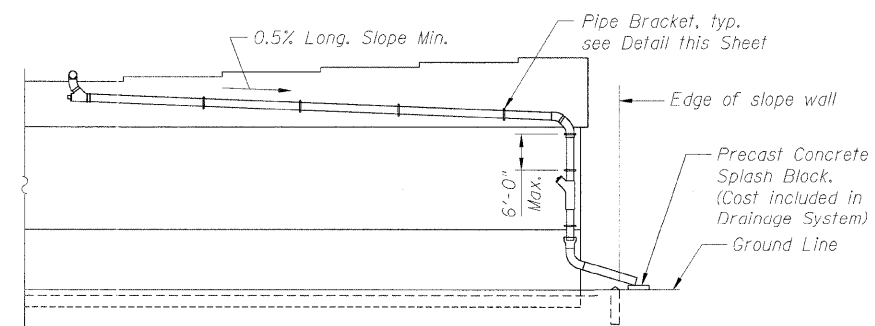
--- Indicates Direction of Flow



DETAIL 1



DECK DRAINAGE ELEVATION



ELEVATION AT PIER

Pier 1 shown. Pier 2 similar, opposite hand

BILL OF MATERIAL

Item	Unit	Total
Drainage System	L. Sum	0.3

NOTES

1. Provide structural support from proposed deck slab for drain pipe per manufacturer's recommendation, not to exceed 6' cts. Cost included with "Drainage System."
2. No part of the Drainage System shall extend below the bottom flange of Beam 8 at any point in the center span.

CLOSED DRAINAGE SYSTEM
IL ROUTE 92 (CENTENNIAL EXPRESSWAY)
OVER 18th AVENUE
FAP ROUTE 308 SEC. 1(HB-1)R
ROCK ISLAND COUNTY
STATION 1517+79.41
STRUCTURE NO. 081-0171

DESIGNED	AMK
CHECKED	CMM
DRAWN	AMK
CHECKED	RWC

LOCHNER
H.W. LOCHNER, INC., CHICAGO, ILLINOIS

t:\2082\struc\ldgn\2044028SP2.dgn