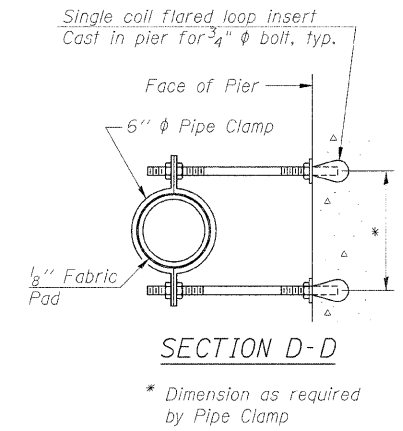
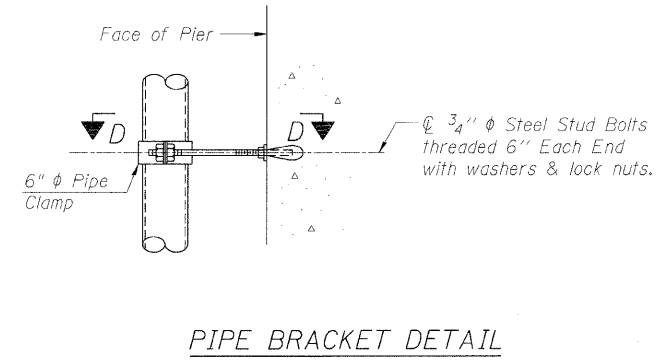
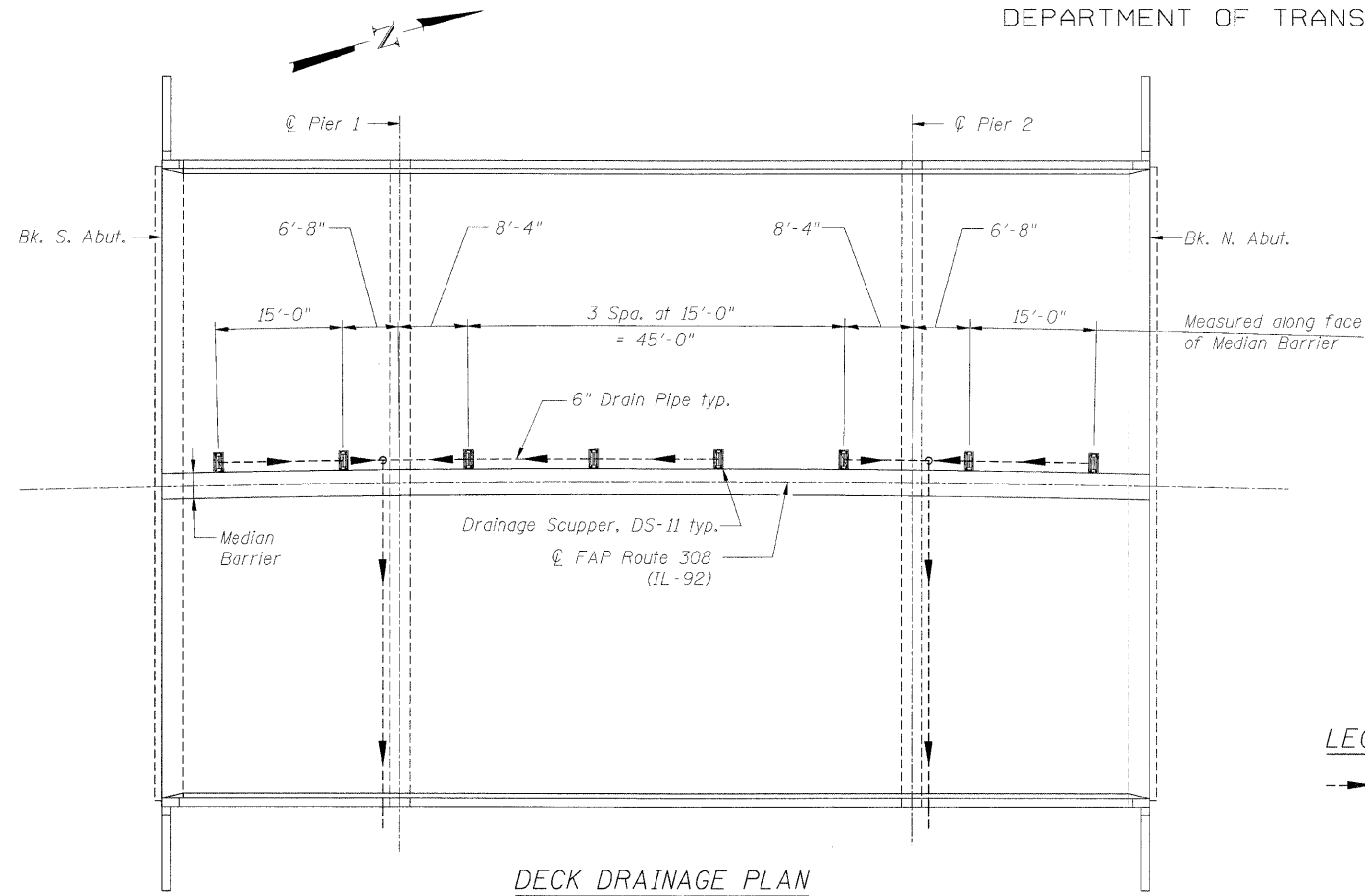


STATE OF ILLINOIS
DEPARTMENT OF TRANSPORTATION

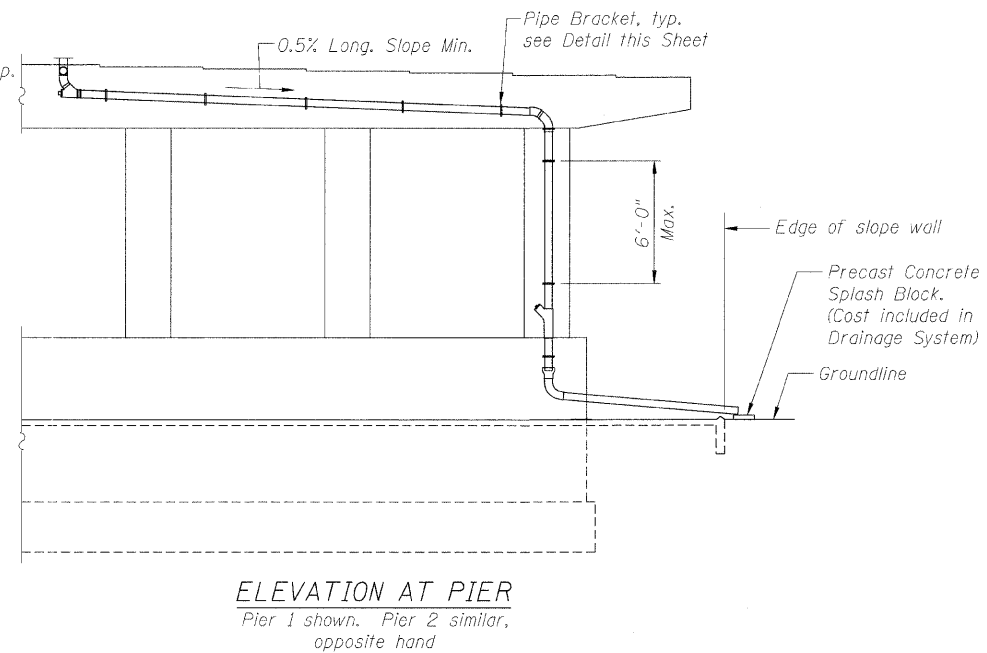
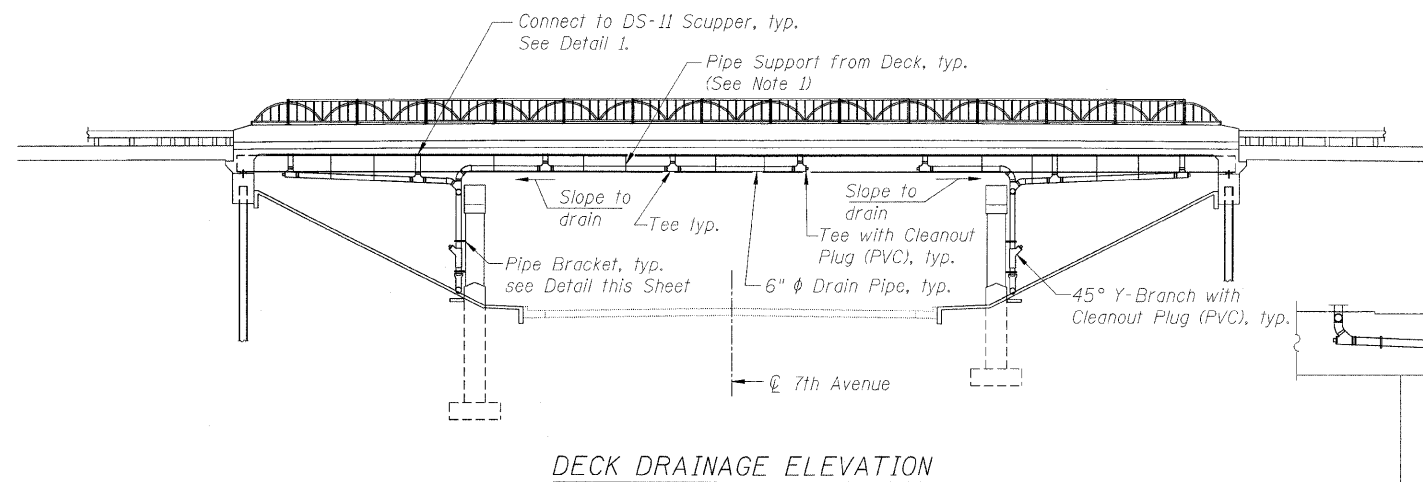
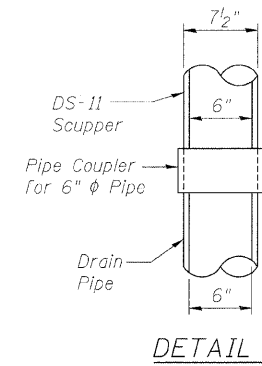
ROUTE NO.	SECTION	COUNTY	TOTAL SHEETS	SHEET NO.	SHEET NO. 14
F.A.P. 308	*	ROCK ISLAND	210	189	27 SHEETS
FED. ROAD DIST. NO. 7	ILLINOIS	FED. AID PROJECT-			

Contract #64814 * (HB,HB-1,VB,HB-2)R



LEGEND

→ Indicates Direction of Flow



BILL OF MATERIAL

Item	Unit	Total
Drainage System	L. Sum	0.3

NOTES

1. Provide structural support from proposed deck slab for drain pipe per manufacturer's recommendation, not to exceed 6' cts. Cost included with "Drainage System."
2. No part of the Drainage System shall extend below the bottom flange of Beam 6 at any point in the center span.

CLOSED DRAINAGE SYSTEM
IL ROUTE 92 (CENTENNIAL EXPRESSWAY)
OVER 7th AVENUE
FAP ROUTE 308 SEC. 1(HB)R
ROCK ISLAND COUNTY
STATION 1547+22.56
STRUCTURE NO. 081-0170

DESIGNED	AMK
CHECKED	CMM
DRAWN	BJN
CHECKED	RWC

LOCHNER
H.W. LOCHNER, INC., CHICAGO, ILLINOIS

t:\2082\str\ue\c\dgn\2044027SP2.dgn