

STATE OF ILLINOIS  
DEPARTMENT OF TRANSPORTATION

ROUTE NO.	SECTION	COUNTY	TOTAL SHEETS	SHEET NO.	SHEET NO. 20
F.A.P. 308	*	ROCK ISLAND	210	195	27 SHEETS
FED. ROAD DIST. NO. 7	ILLINOIS	FED. AID PROJECT			

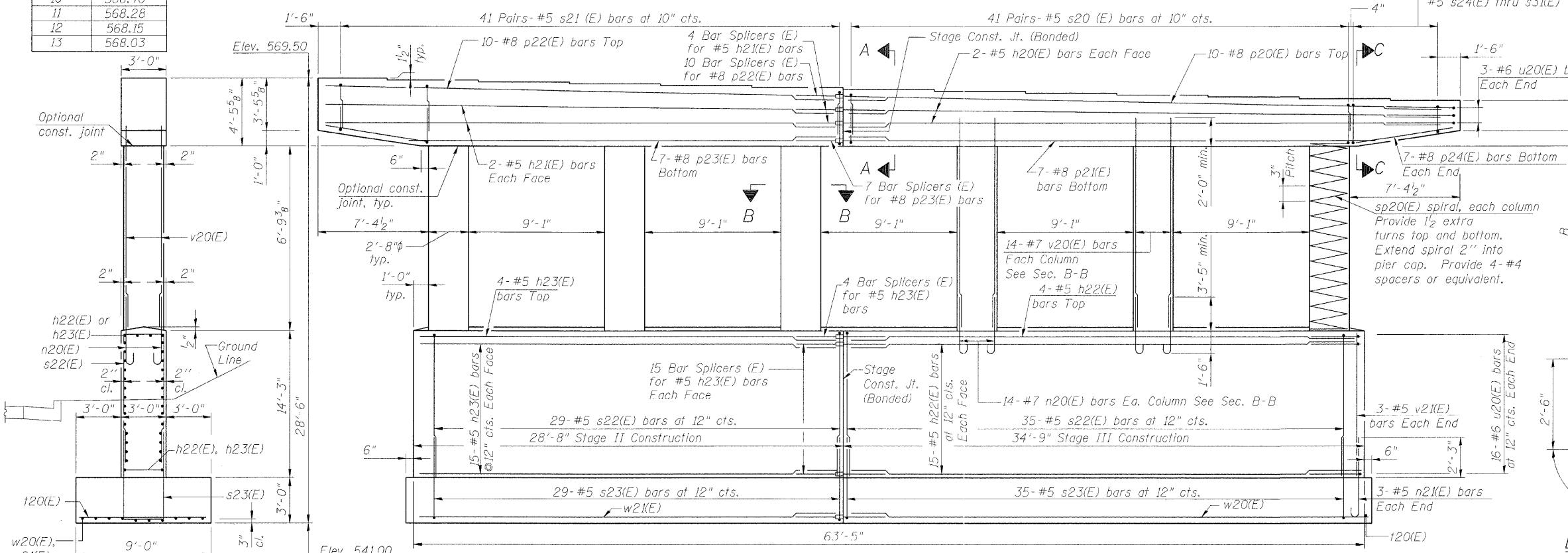
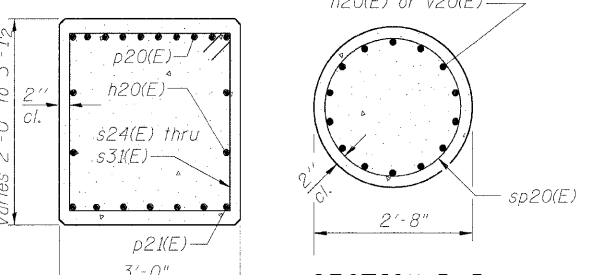
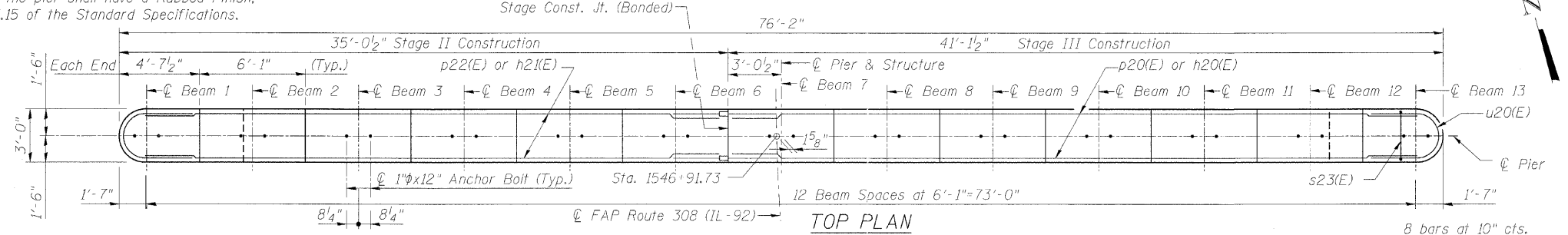
Contract #64814 \* (HB, HB-1, VB, HB-2)R  
n20(E) or v20(E)

**NOTES:**

1. Space reinforcement in cap to miss anchor bolts.
2. Pour steps monolithically with cap.
3. Concrete sealer shall be applied to all exposed surfaces of the pier.
4. All exposed vertical surface of the pier shall have a Rubbed Finish, in accordance with Article 503.15 of the Standard Specifications.

**BEARING SEAT ELEV**

BEAM	ELEV.
1	569.50
2	569.37
3	569.25
4	569.13
5	569.01
6	568.89
7	568.76
8	568.64
9	568.52
10	568.40
11	568.28
12	568.15
13	568.03



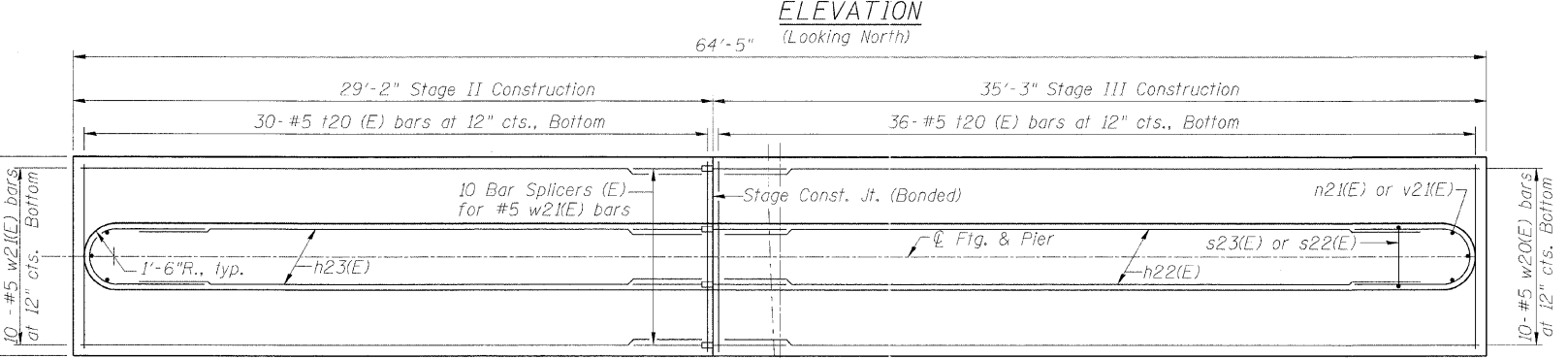
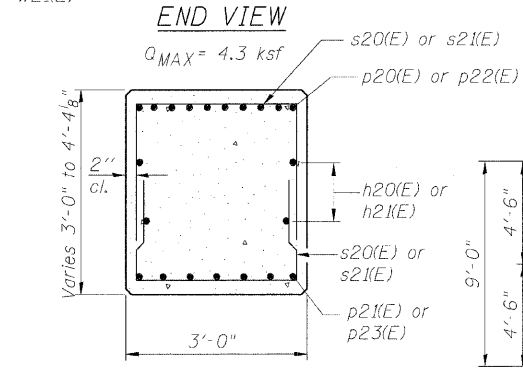
**SECTION C-C BILL OF MATERIAL**

Bar	No.	Size	Length	Shape
h20(E)	4	#5	39'-5"	—
h21(E)	4	#5	33'-4"	—
h22(E)	34	#5	33'-1"	—
h23(E)	34	#5	27'-1"	—
n20(E)	84	#7	5'-10"	U
n21(E)	6	#5	5'-7"	U
p20(E)	10	#8	39'-5"	—
p21(E)	7	#8	34'-1"	—
p22(E)	10	#8	33'-4"	—
p23(E)	7	#8	28'-0"	—
p24(E)	14	#8	6'-9"	—
s20(E)	82	#5	8'-5"	L
s21(E)	68	#5	8'-10"	L
s22(E)	64	#5	30'-8"	L
s23(E)	64	#5	12'-8"	L
s24(E)	1	#5	10'-0"	□
s25(E)	1	#5	10'-3"	□
s26(E)	1	#5	10'-6"	□
s27(E)	1	#5	10'-9"	□
s28(E)	1	#5	11'-0"	□
s29(E)	1	#5	11'-3"	□
s30(E)	1	#5	11'-6"	□
s31(E)	1	#5	11'-9"	□
sp20(E)	6	#5	7'-0"	W
t20(E)	66	#5	8'-8"	—
u20(E)	38	#6	8'-8"	U
v20(E)	84	#7	8'-11"	—
v21(E)	6	#5	14'-0"	—
w20(E)	10	#5	34'-11"	—
w21(F)	10	#5	28'-10"	—

**BARS s24(E) thru s31(E)**

**BAR u20(E)**

**BARS n20(E), n21(E), thru s20(E) thru s23(E)**



DESIGNED	JDG
CHECKED	WPK
DRAWN	DCS
CHECKED	JDG



**DB STERLIN CONSULTANTS, INC.**  
123 N. WACKER DRIVE SUITE 2000  
CHICAGO, ILLINOIS 60606  
TEL. 312/857-1006 FAX. 312/857-1056

**FOOTING PLAN**

**C, D & E DIMENSIONS**

Bar	C	D	E
n20(E)	5'-0"	10"	7"
n21(E)	5'-0"	7"	5"

**A & B DIMENSIONS**

Bar	A	B
s20(E)	2'-8"	2'-10 1/2"
s21(E)	2'-8"	3'-1"
s22(E)	2'-8"	14'-0"
s23(E)	2'-8"	5'-0"
s24(E)	2'-8"	1'-10 1/2"
s25(E)	2'-8"	2'-0"

**A & B DIMENSIONS**

Bar	A	B
s26(E)	2'-8"	2'-1 1/2"
s27(E)	2'-8"	2'-3"
s28(E)	2'-8"	2'-4 1/2"
s29(E)	2'-8"	2'-6"
s30(E)	2'-8"	2'-7 1/2"
s31(E)	2'-8"	2'-8"

**PIER 1**  
**IL ROUTE 92 (CENTENNIAL EXPRESSWAY)**  
**OVER 7TH AVENUE**  
**FAP ROUTE 308 SEC. 1(HB)R**  
**ROCK ISLAND COUNTY**  
**STATION 1547+22.56**  
**STRUCTURE NO. 081-0170**

Braced Excavation	Cu. Yd.	419
Concrete Structures	Cu. Yd.	203.0
Reinforcement Bars, Epoxy Coated	Pound	16,080
Concrete Sealer	Sq. Ft.	2,210
Rubbed Finish	Sq. Ft.	1,977

\*\* Length is height of spiral.