

STATE OF ILLINOIS  
DEPARTMENT OF TRANSPORTATION

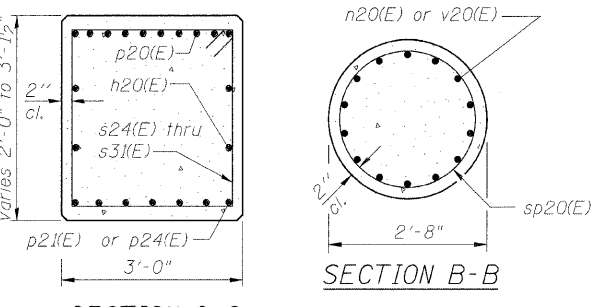
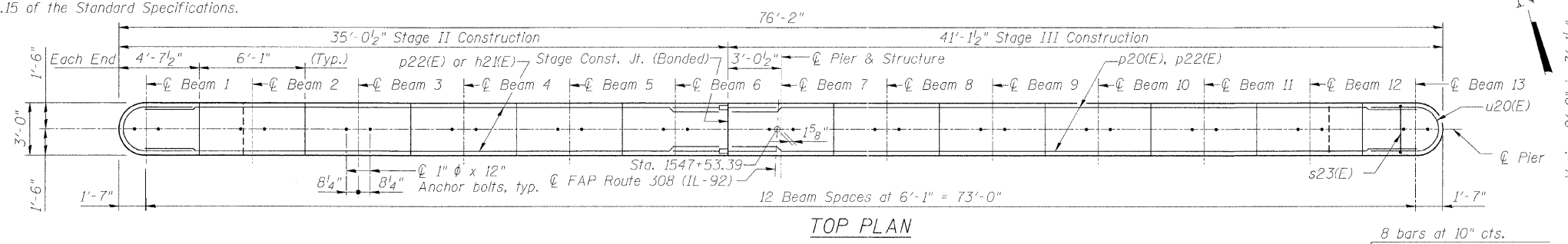
ROUTE NO. F.A.P. 308	SECTION *	COUNTY ROCK ISLAND	SHEET NO. 210	DATE 196	SHEET NO. 21 27 SHEETS
FED. ROAD DIST. NO. 7		ILLINOIS		FED. AID PROJECT	

**NOTES:**

1. Space reinforcement in cap to miss anchor bolts.
2. Pour steps monolithically with cap.
3. Concrete sealer shall be applied to all exposed surfaces of the pier.
4. All exposed vertical surface of the pier shall have a Rubbed Finish, in accordance with Article 503.15 of the Standard Specifications.

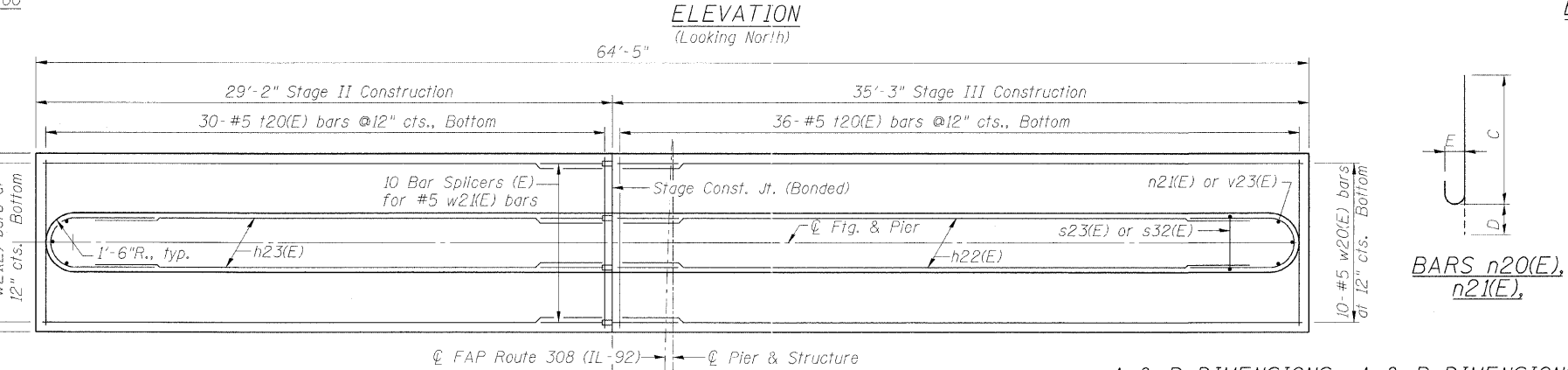
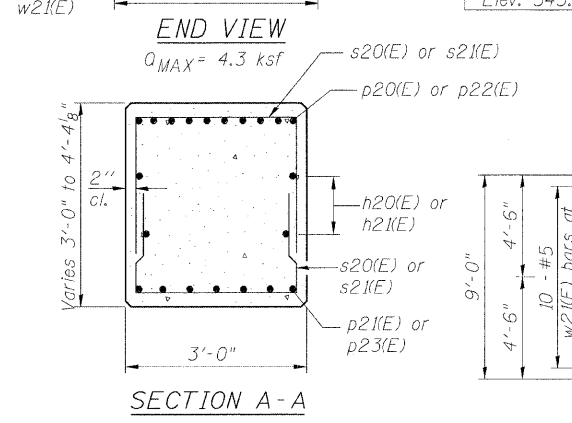
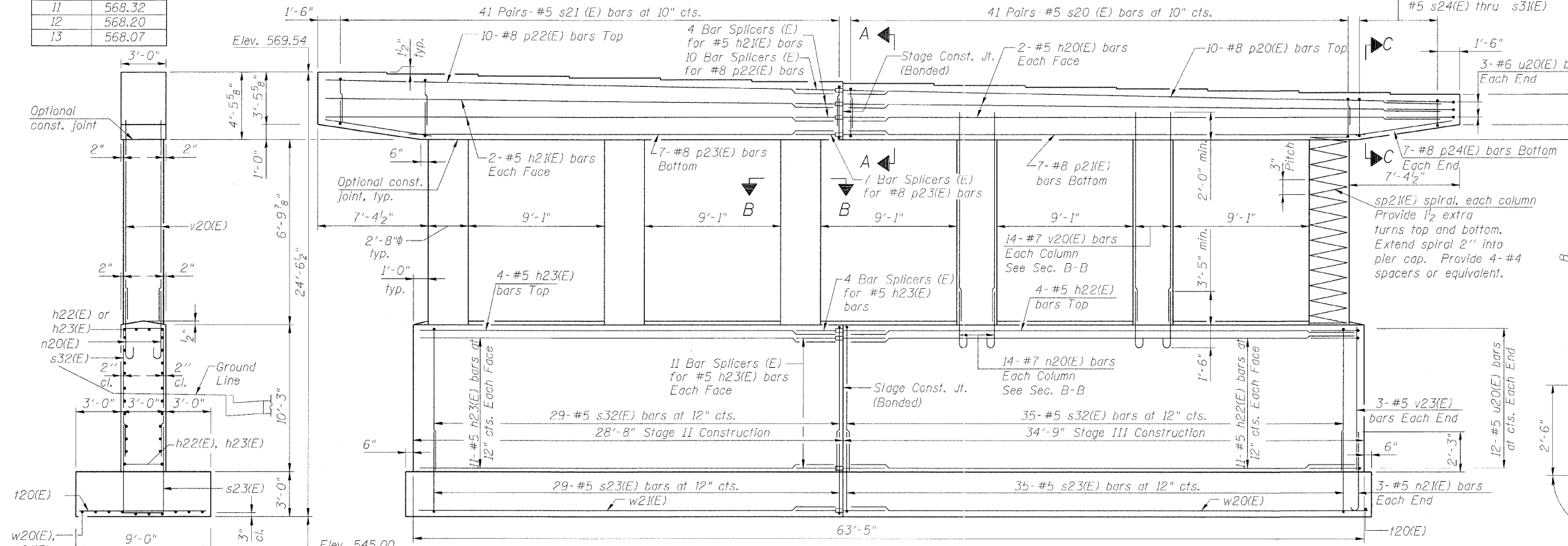
**BEARING SEAT ELEV**

BEAM	ELEV.
1	569.54
2	569.42
3	569.29
4	569.17
5	569.05
6	568.93
7	568.81
8	568.68
9	568.56
10	568.44
11	568.32
12	568.20
13	568.07



**BILL OF MATERIAL**

Bar	No.	Size	Length	Shape
h20(E)	4	#5	39'-5"	—
h21(E)	4	#5	33'-4"	—
h22(E)	26	#5	33'-1"	—
h23(E)	26	#5	27'-1"	—
n20(E)	84	#7	5'-10"	U
n21(E)	6	#5	5'-7"	U
p20(E)	10	#8	39'-5"	—
p21(E)	7	#8	34'-1"	—
p22(E)	10	#8	33'-4"	—
p23(E)	7	#8	28'-0"	—
p24(E)	14	#8	6'-9"	—
s20(E)	82	#5	8'-5"	L
s21(E)	82	#5	8'-10"	L
s23(E)	64	#5	12'-8"	L
s24(E)	1	#5	10'-0"	□
s25(E)	1	#5	10'-3"	□
s26(E)	1	#5	10'-6"	□
s27(E)	1	#5	10'-9"	□
s28(E)	1	#5	11'-0"	□
s29(E)	1	#5	11'-3"	□
s30(E)	1	#5	11'-6"	□
s31(E)	1	#5	11'-9"	□
s32(E)	64	#5	22'-8"	L
sp20(E)	6	#5	7'-0"	W
t20(E)	66	#5	8'-8"	—
u20(E)	30	#6	8'-8"	U
v20(E)	84	#7	8'-11"	—
v23(E)	6	#5	10'-0"	—
w20(E)	10	#5	34'-11"	—
w21(E)	10	#5	28'-10"	—



**BARS s24(E) thru s31(E)**

**BAR u20(E)**

**BARS s20(E), s21(E), s23(E) and s32(E)**

\*\* Length is height of spiral.

**PIER 2**  
IL ROUTE 92 (CENTENNIAL EXPRESSWAY)  
OVER 7TH AVENUE  
FAP ROUTE 308 SEC. 1(HB)R  
ROCK ISLAND COUNTY  
STATION 1547+22.56  
STRUCTURE NO. 081-0170

DESIGNED JDG  
CHECKED WPK  
DRAWN DCS  
CHECKED JDG

**DBS** DB STERLIN CONSULTANTS, INC.  
123 N. WACKER DRIVE SUITE 2000  
CHICAGO, ILLINOIS 60606  
TEL. 312/857-1006 FAX. 312/857-1056

**FOOTING PLAN**

**C, D & E DIMENSIONS**

Bar	C	D	E
h20(E)	5'-0"	10"	7"
n21(E)	5'-0"	7"	5"

**A & B DIMENSIONS**

Bar	A	B
s20(E)	2'-8"	2'-10 1/2"
s21(E)	2'-8"	3'-1"
s23(E)	2'-8"	5'-0"
s24(E)	2'-8"	1'-10 1/2"
s25(E)	2'-8"	2'-0"

**A & B DIMENSIONS**

Bar	A	B
s26(E)	2'-8"	2'-1 1/2"
s27(E)	2'-8"	2'-3"
s28(E)	2'-8"	2'-4 1/2"
s29(E)	2'-8"	2'-6"
s30(E)	2'-8"	2'-7 1/2"
s31(E)	2'-8"	2'-8"
s32(E)	2'-8"	10'-0"