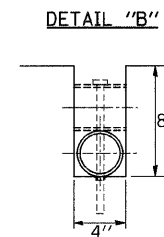
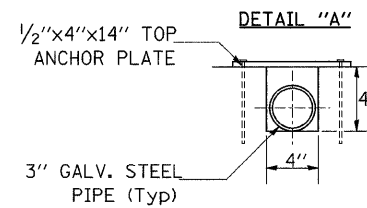
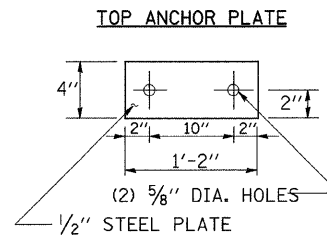
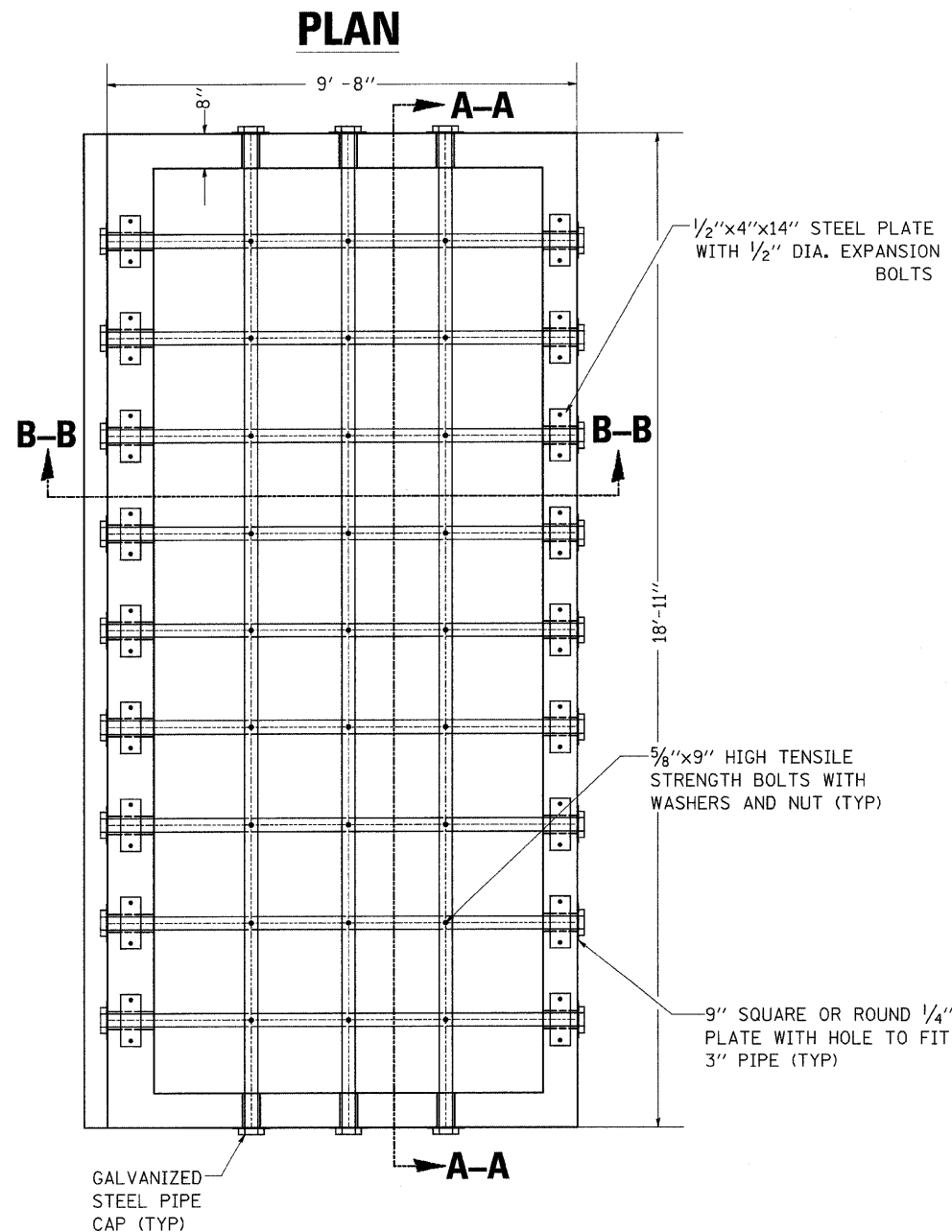


F.A.P. NO.	SECTION	COUNTY	TOTAL SHEETS	SHEET NO.
549	117 T	OGLE	86	52
STA.	TO STA.			
FED. ROAD DIST. NO.	ILLINOIS FED. AID PROJECT			

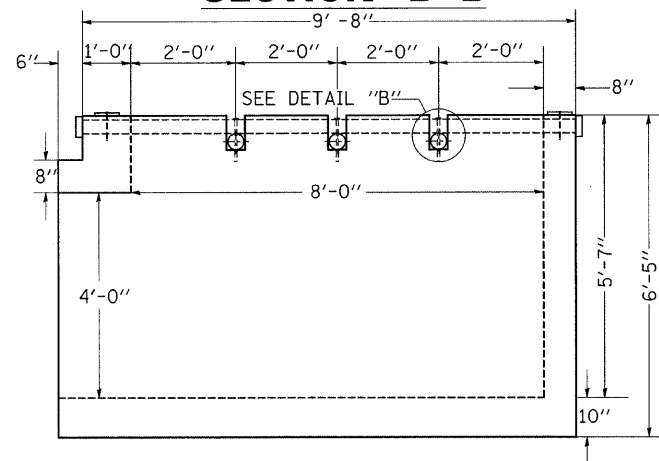
DROP BOX NO. 5



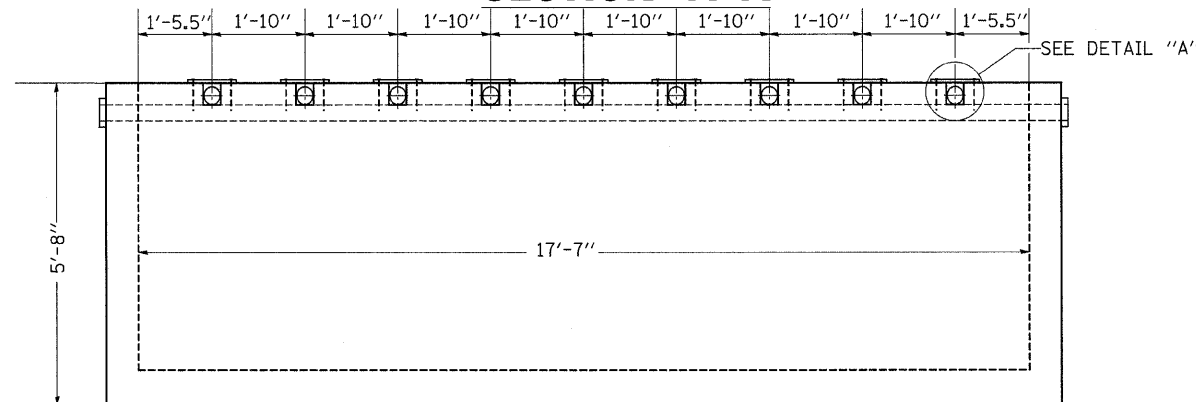
BILL OF MATERIAL

DESCRIPTION	UNIT	QTY
5/8" X 9" GALV. STEEL BOLTS	EACH	27
3" GALV. STEEL PIPE @3		19'-3"
3" GALV. STEEL PIPE @9		10'-0"
3" GALV. PIPE CAPS	EACH	24
1/2" X 4" X 14" GALV. PLATE	EACH	18
1/4" GALV STEEL PLATE (9" NOMINAL)	EACH	24

SECTION B-B



SECTION A-A



GENERAL NOTES

This work shall be done according to the applicable portion of 503, 508, and 542 of the Standard Specifications.

The contract unit price "each" for DROP BOX NO. 5 shall include the Expansion Bolts, Galvanized Pipe, Bolts, Nuts, Washers, Steel Plates, earth excavation where required, and necessary grading to fit the inlet as shown in the cross sections or to the slope

Reinforcement bars shall conform to the requirements of AASHTO M-31 or M-53, Grade 60.

STEEL PLATES SHALL CONFORM TO AASHTO M-183 AND SHALL BE GALVANIZED CONFORMING TO AASHTO M-111.

Bolts, Nuts, and Washers shall be in accordance with Article 710.11 of the Standard Specification and shall be galvanized.

Contractor shall field verify Galvanized pipe length.

PLOT DATE = Fri Dec 28 13:53:32 2007
 FILE NAME = c:\projects\p210705\dl0705pl.dgn
 PLOT SCALE = 50.0000 / IN.
 USER NAME = gorfjl