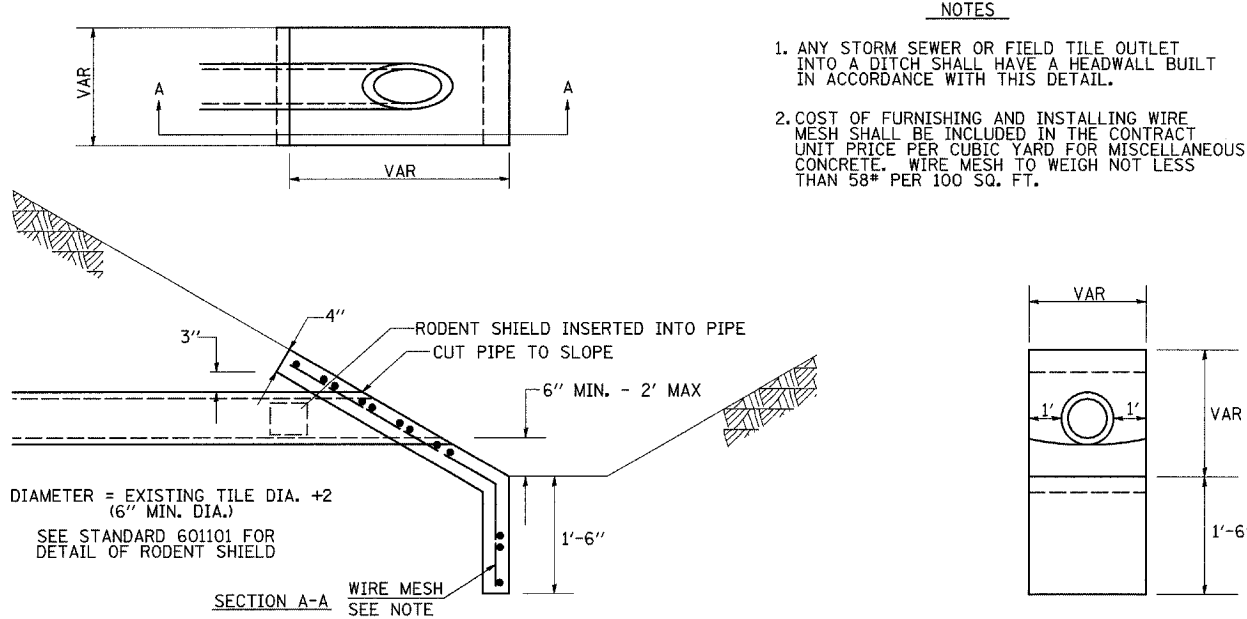


# SLOPE WALL FOR FIELD TILE OUTLETS

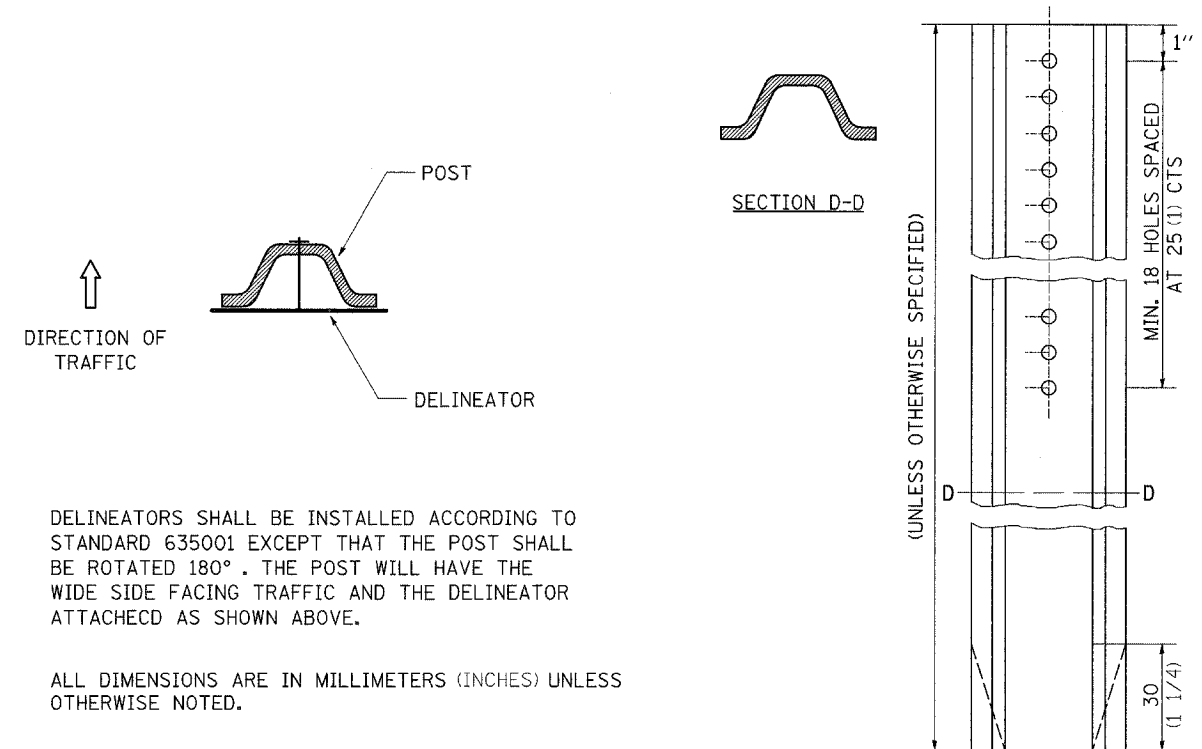


- NOTES**
1. ANY STORM SEWER OR FIELD TILE OUTLET INTO A DITCH SHALL HAVE A HEADWALL BUILT IN ACCORDANCE WITH THIS DETAIL.
  2. COST OF FURNISHING AND INSTALLING WIRE MESH SHALL BE INCLUDED IN THE CONTRACT UNIT PRICE PER CUBIC YARD FOR MISCELLANEOUS CONCRETE. WIRE MESH TO WEIGH NOT LESS THAN 58# PER 100 SQ. FT.

REVISED - 1-24-07

**SLOPE WALL FOR FIELD TILE OUTLETS 28.4**

# DELINEATOR AND POST ORIENTATION



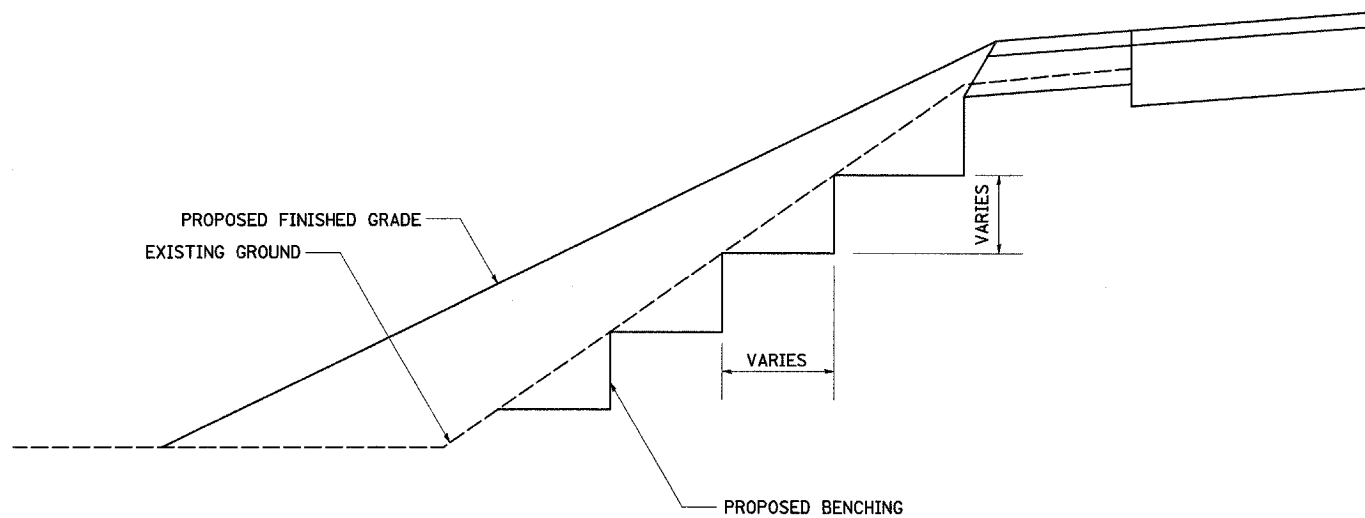
DELINEATORS SHALL BE INSTALLED ACCORDING TO STANDARD 635001 EXCEPT THAT THE POST SHALL BE ROTATED 180°. THE POST WILL HAVE THE WIDE SIDE FACING TRAFFIC AND THE DELINEATOR ATTACHECD AS SHOWN ABOVE.

ALL DIMENSIONS ARE IN MILLIMETERS (INCHES) UNLESS OTHERWISE NOTED.

REVISED - 11-01-07

**DELINEATOR AND POST ORIENTATION 37.4**

# TYPICAL BENCHING ON EXISTING EMBANKMENT



REVISED - 2-22-06

**TYPICAL BENCHING ON EXISTING EMBANKMENT 50.4**

# LETTERING FOR NAME PLATE

STATION  
 BUILT 200 BY  
 STATE OF ILLINOIS  
 RTE. SEC.  
 FA PROJECT  
 LOADING HS 20  
 STR. NO.

SEE STD. 515001

STATION	STRUCTURE NO.

ALL DIMENSIONS ARE IN MILLIMETERS (INCHES) UNLESS OTHERWISE NOTED.

REVISED - 11-01-07	<b>REGION 2 / DISTRICT 2 STANDARD</b>	F.A.P. RTE.	SECTION	COUNTY	TOTAL SHEETS	SHEET NO.
REVISED -		17	101T	OGLE	39	18
REVISED -		CONTRACT NO. 64C36				
REVISED -		SCALE: 50.0000 / IN	SHEET NO.	OF	SHEETS	STA.

**LETTERING FOR NAME PLATE 89.4**