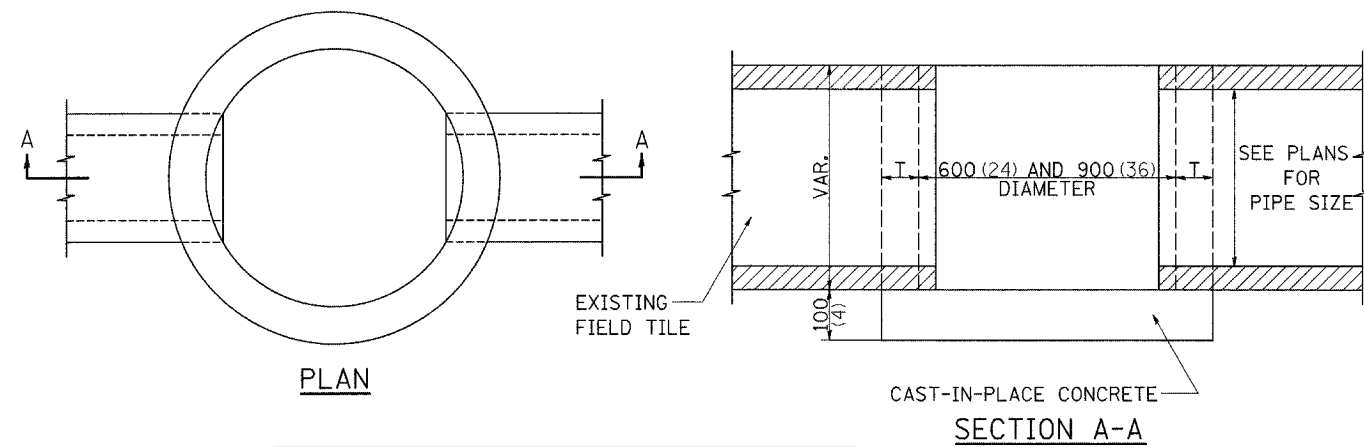
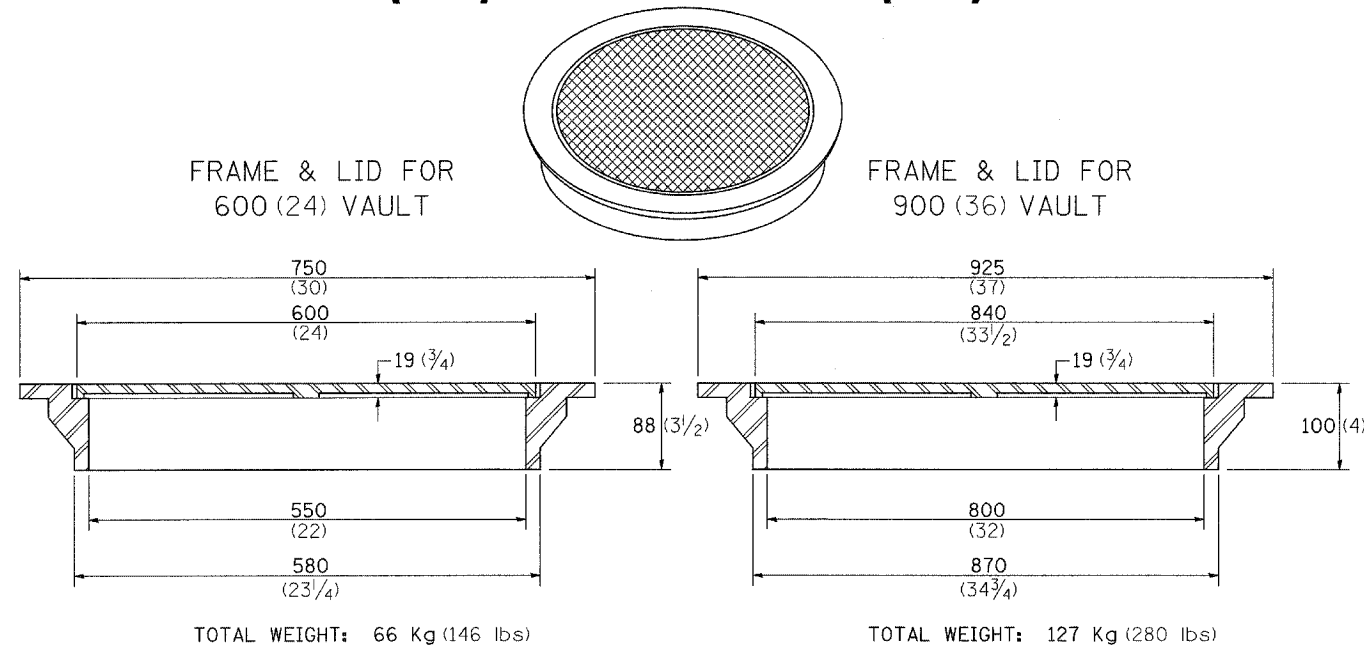


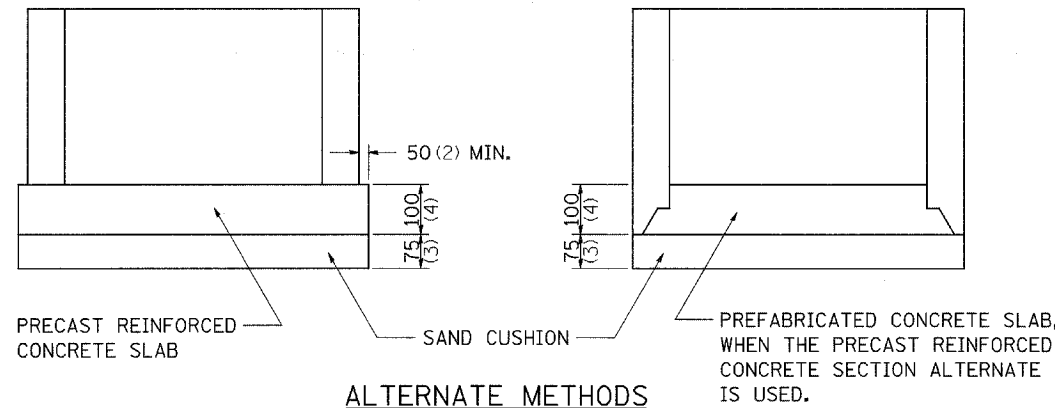
# FIELD TILE JUNCTION VAULTS 600 (24) AND 900 (36) DIA.



ALTERNATE MATERIALS FOR WALLS		T
BRICK MASONRY		200 (8)
CAST-IN-PLACE CONCRETE		150 (6)
CONCRETE MASONRY UNIT		125 (5)
PRECAST REINFORCED CONCRETE SECTION		75 (3)

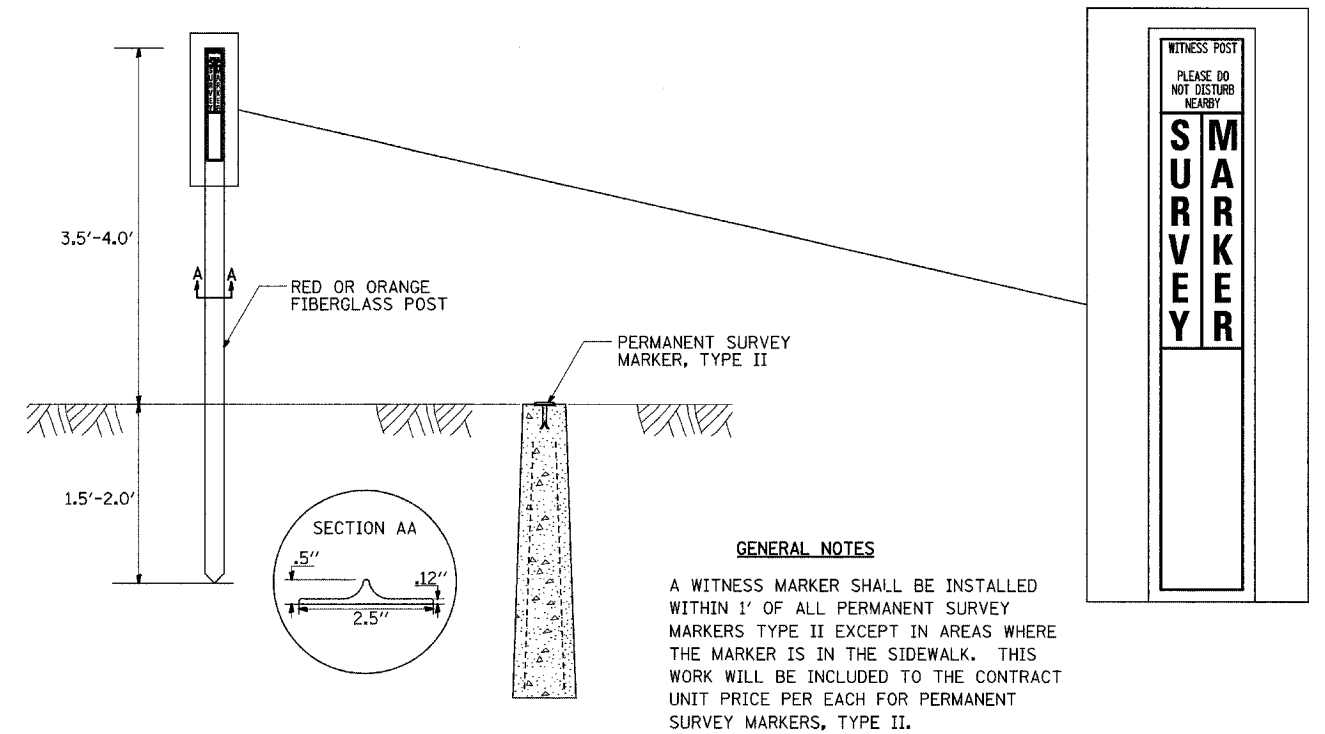
NOTE: THE FRAME AND LID IS REQUIRED ON ALL JUNCTION VAULTS.

ALL DIMENSIONS ARE IN MILLIMETERS (INCHES) UNLESS OTHERWISE NOTED.

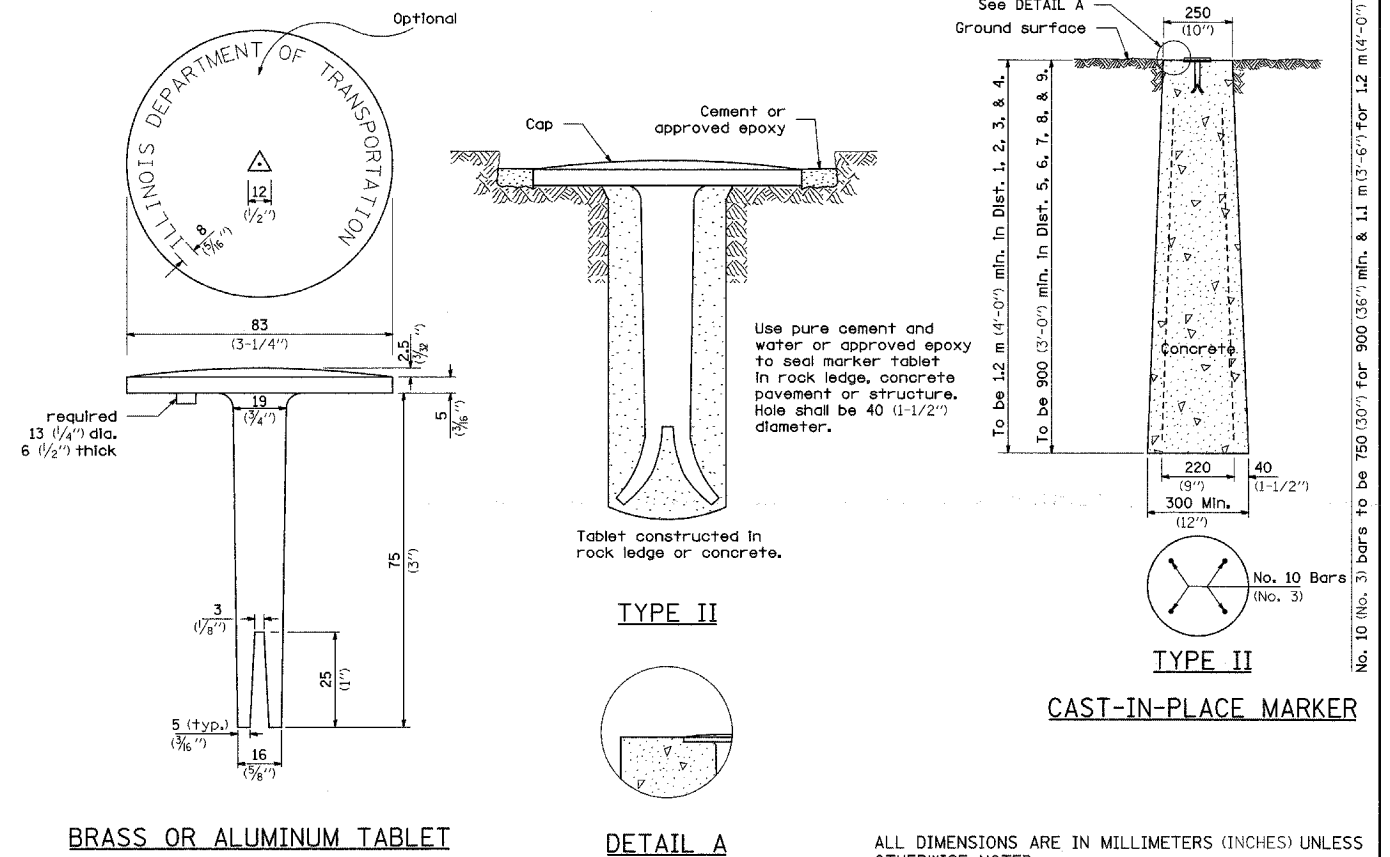


REVISED - 5-03-94

# WITNESS MARKER FOR PERMANENT SURVEY MARKERS, TYPE II



# PERMANENT SURVEY MARKERS, TYPE II



BRASS OR ALUMINUM TABLET

DETAIL A

CAST-IN-PLACE MARKER

ALL DIMENSIONS ARE IN MILLIMETERS (INCHES) UNLESS OTHERWISE NOTED.

REVISED - 6-26-06	REGION 2 / DISTRICT 2 STANDARD		F.A.P. RTE. 17	SECTION 101T	COUNTY OGLE	TOTAL SHEETS 39	SHEET NO. 20
REVISED -	SCALE: 50.0000' / IN SHEET NO. OF SHEETS STA. TO STA.		FED. ROAD DIST. NO. ILLINOIS FED. AID PROJECT		CONTRACT NO. 64C36		