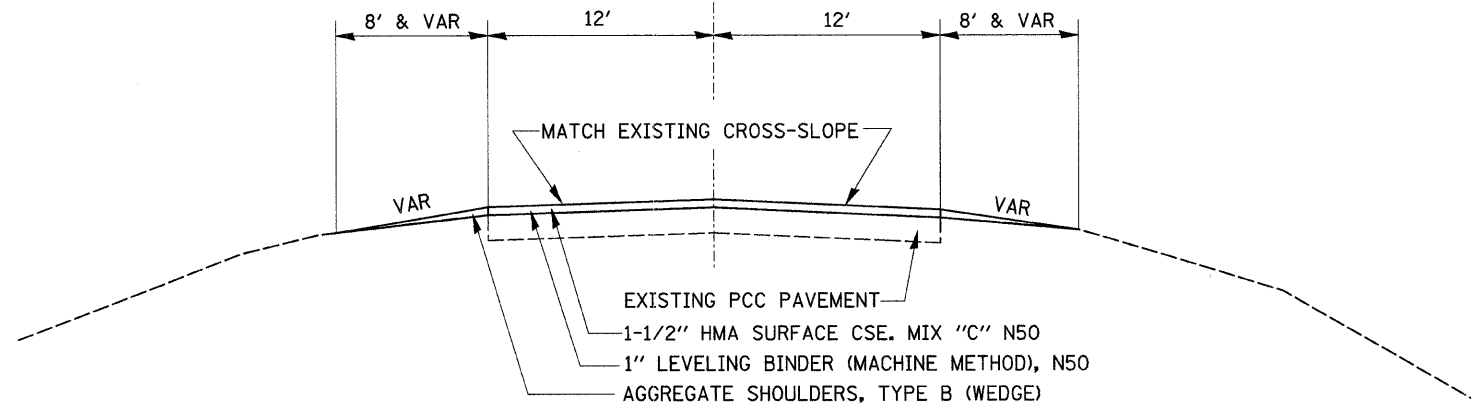


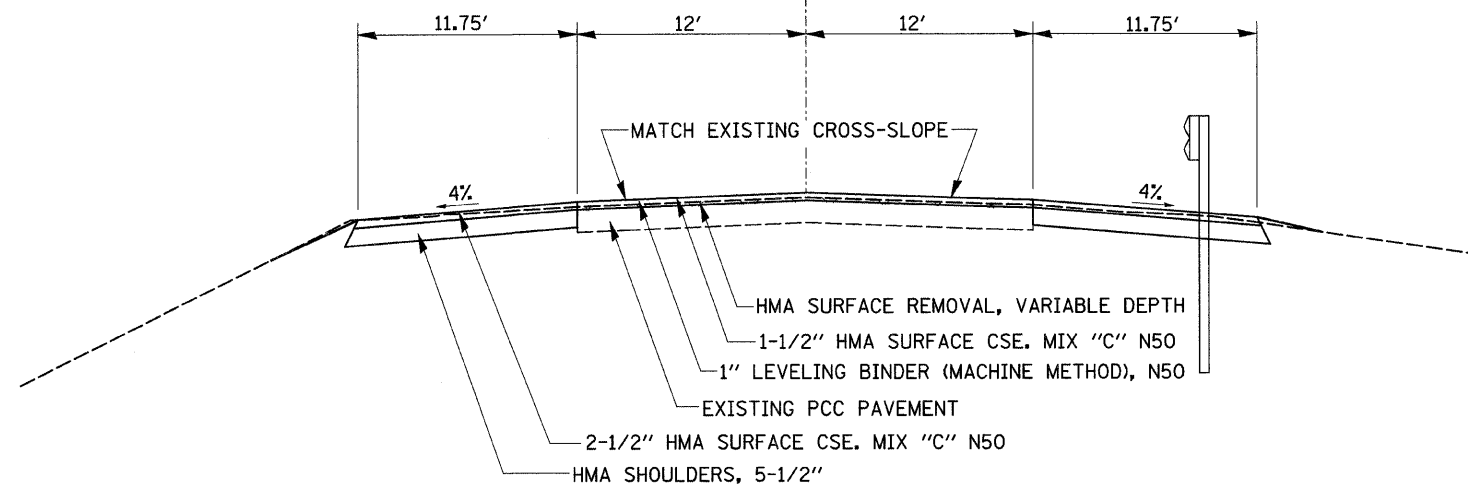
STA 661+72.50 - 663+00.01

CL US 6



STA 663+00.01 - 664+60.60

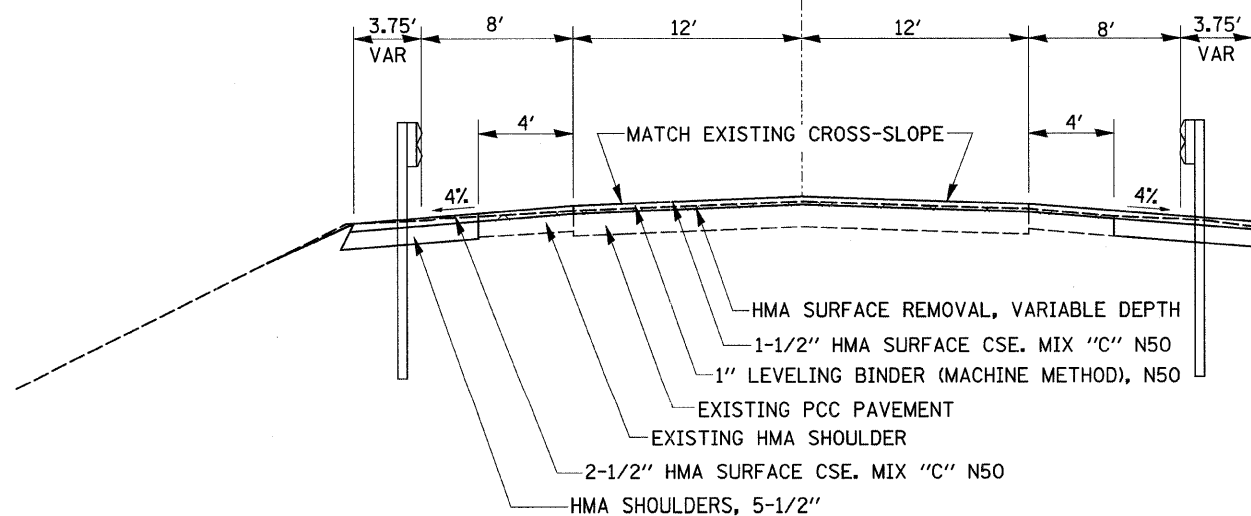
CL US 6



STA 664+60.60 - 665+63.20

STA 667+75.20 - 668+80.76

CL US 6



HOT-MIX ASPHALT/BITUMINOUS APPLICATION RATES:
 ALL HOT-MIX ASPHALT MIXTURES: (112 LB/SY/IN)
 BITUMINOUS MATERIAL (PRIME COAT): 0.000286 TON/SQ YD
 AGGREGATE (PRIME COAT): 0.0015 TON/SQ YD

• FAP 22 (IL 78) & FAS 1247 (US 6) •• (125BR-1D) & (6BR)D

FILE NAME = c:\projects\p205007\d05007typ.dgn	USER NAME = grantpm	DESIGNED -	REVISED -
		DRAWN -	REVISED -
	PLOT SCALE = 48.0349' / IN.	CHECKED -	REVISED -
	PLOT DATE = Wed Nov 28 14:01:46 2007	DATE -	REVISED -

STATE OF ILLINOIS
 DEPARTMENT OF TRANSPORTATION

TYPICAL SECTIONS			
SCALE:	SHEET NO.	OF SHEETS	STA. TO STA.

F.A. RTE.	SECTION	COUNTY	TOTAL SHEETS	SHEET NO.
*	**	HENRY	80	9
CONTRACT NO. 64D10				
FED. ROAD DIST. NO. ILLINOIS FED. AID PROJECT				