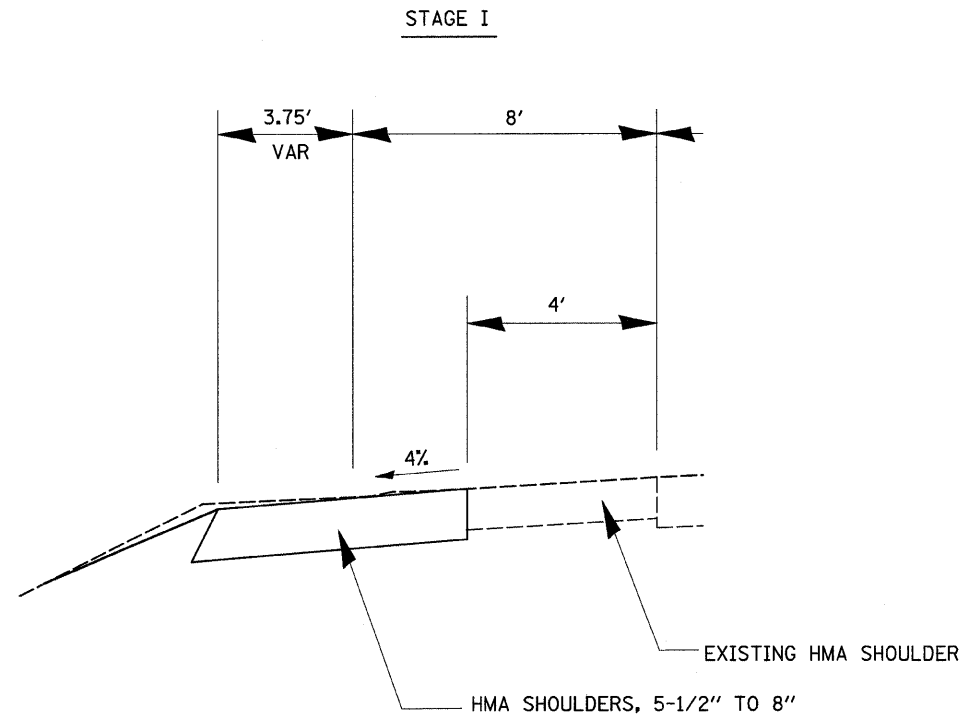


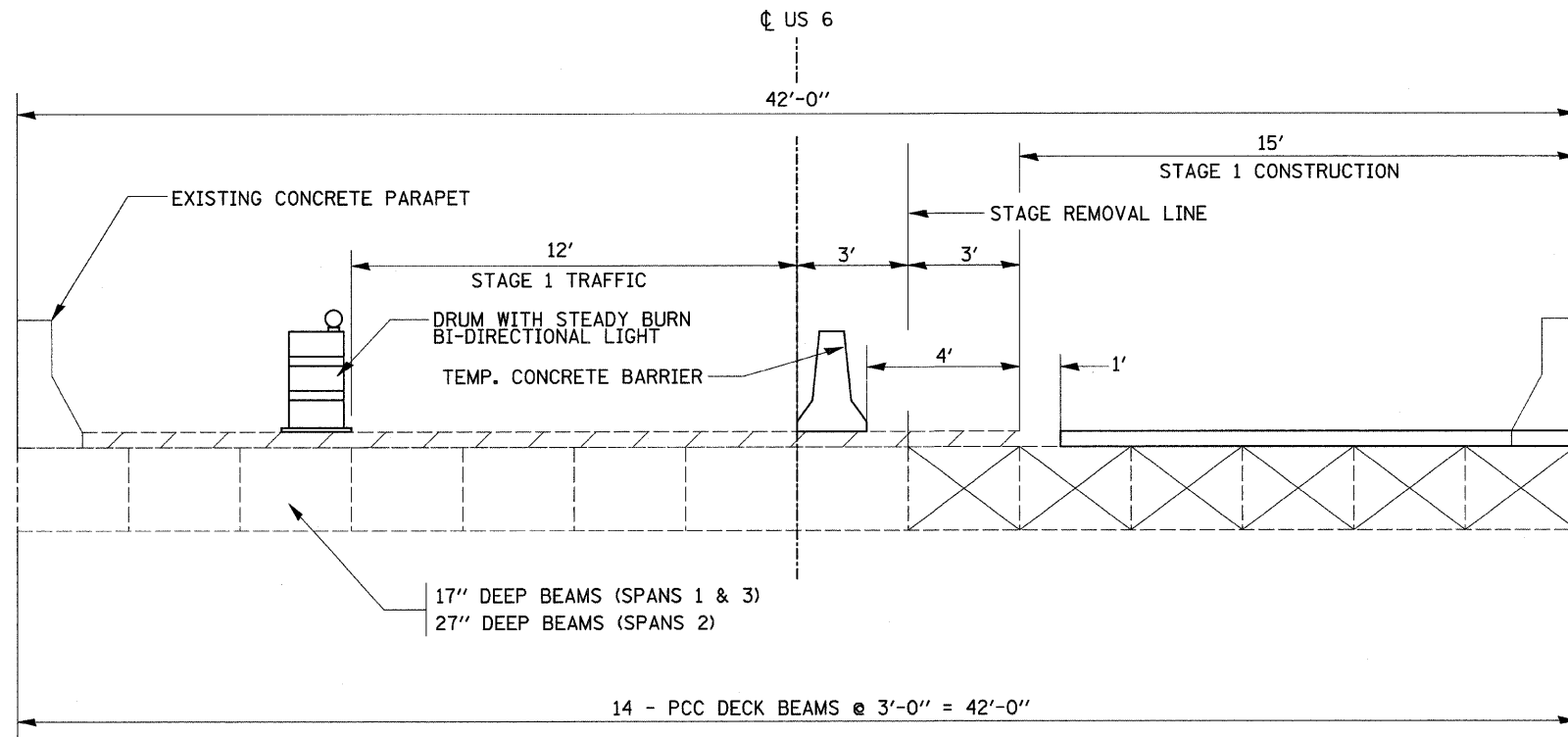
US 6 OVER MUD CREEK

STAGE I

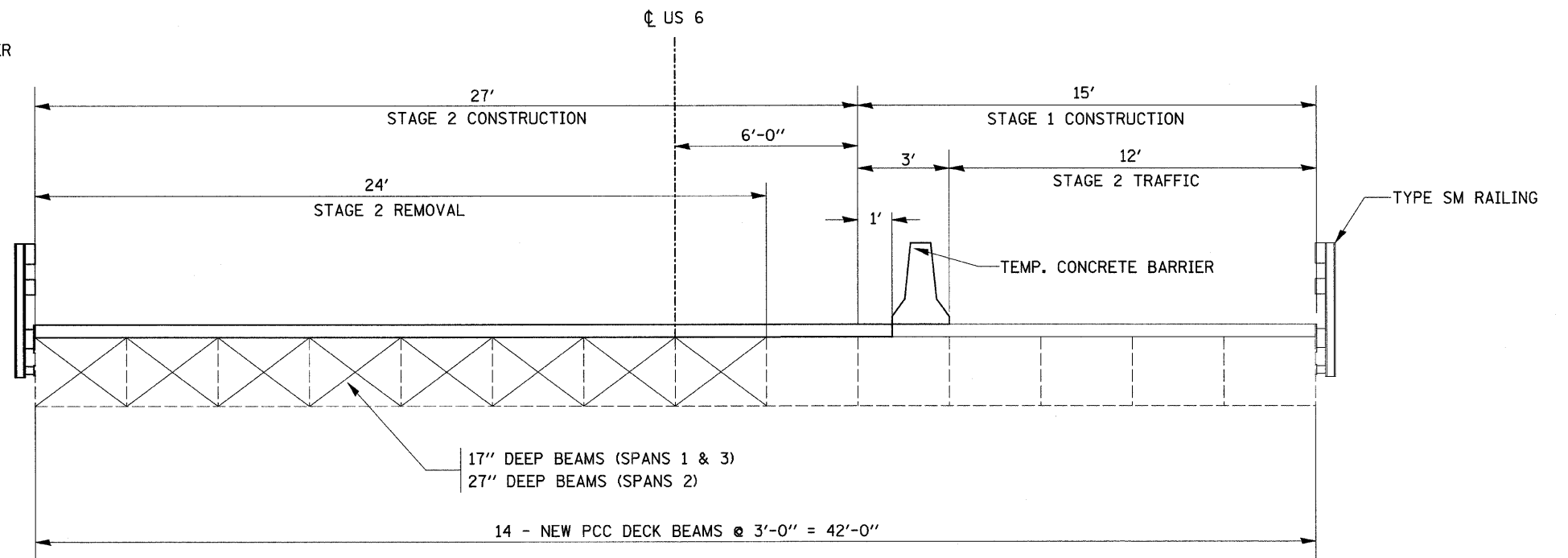


NOTE: FOR SHOULDER BUILD 5.5" AT STATION 663+00 AND 667+50 TO 8" AT STATION 665+87 AND 670+59

NOTE: AFTER STAGE II GRIND OFF SHOULDER
 0" @ STATION 664+61 TO 2 1/2" @ STATION 665+87
 0" @ STATION 667+50 TO 2 1/2" @ STATION 668+78



STAGE II



FAP 22 (IL 78) & FAS 1247 (US 6) ** (125BR-1D & (6BR)D

FILE NAME = c:\projects\p205007\d05007.tpp.dgn	USER NAME = grantpm	DESIGNED -	REVISED -
		DRAWN -	REVISED -
	PLOT SCALE = 48.0349' / IN.	CHECKED -	REVISED -
	PLOT DATE = Wed Nov 28 14:01:46 2007	DATE -	REVISED -

STATE OF ILLINOIS
 DEPARTMENT OF TRANSPORTATION

TYPICAL SECTIONS

SCALE: SHEET NO. OF SHEETS STA. TO STA.

F.A. RTE.	SECTION	COUNTY	TOTAL SHEETS	SHEET NO.
*	**	HENRY	80	27
CONTRACT NO. 64D10				
FED. ROAD DIST. NO. ILLINOIS FED. AID PROJECT				