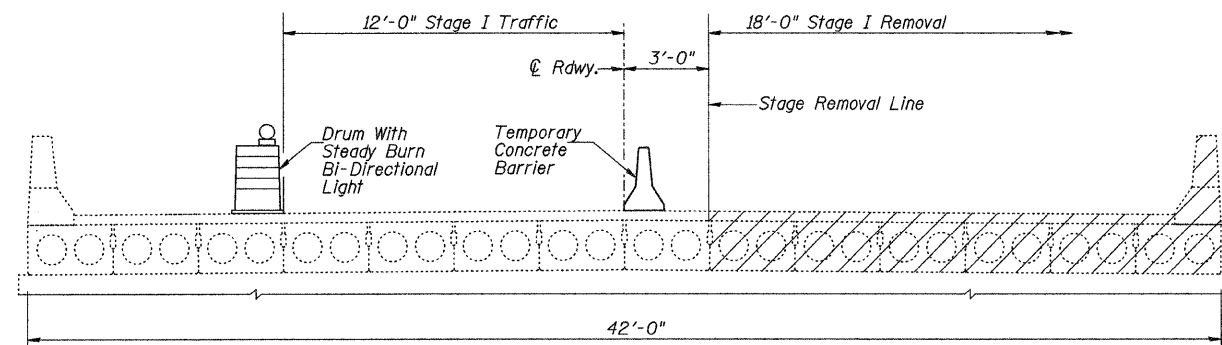


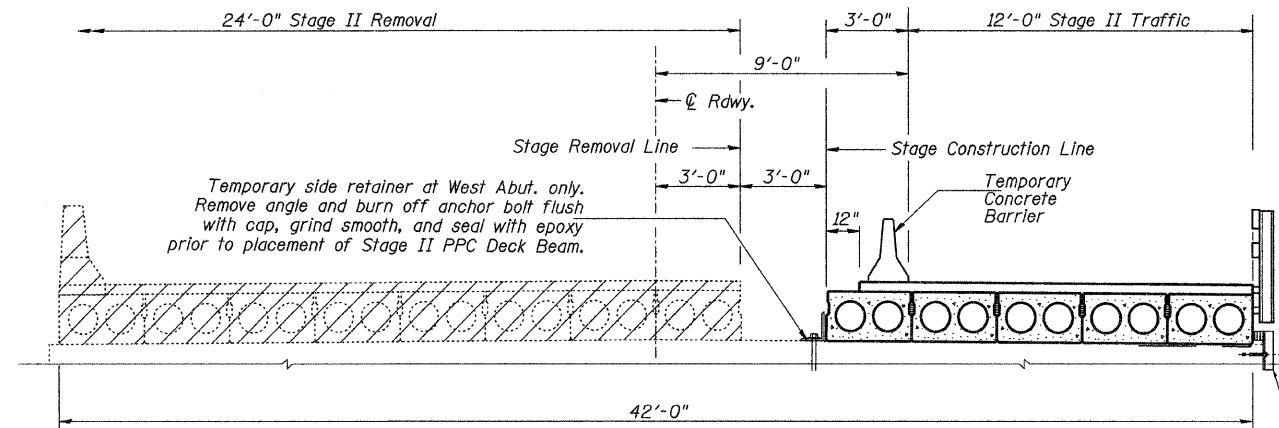
ROUTE NO.	SEC	COUNTY	TOTAL SHEETS	SHEET NO.
FAS 1247	*	HENRY	80	32
FED. ROAD DIST. NO. 7	ILLINOIS	PROJECT		

SHEET NO. 2
of 16 SHEETS

* (6BRD) CONTRACT NO. 64D10

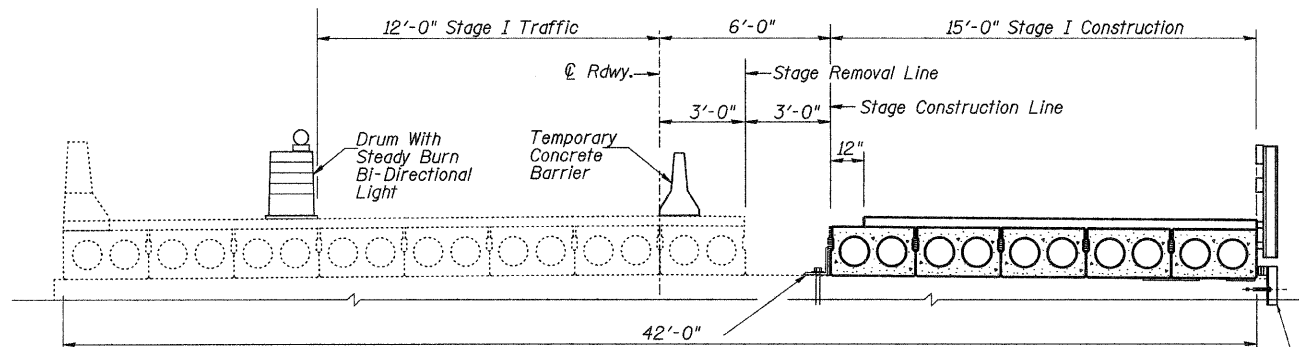


STAGE I REMOVAL



STAGE II REMOVAL

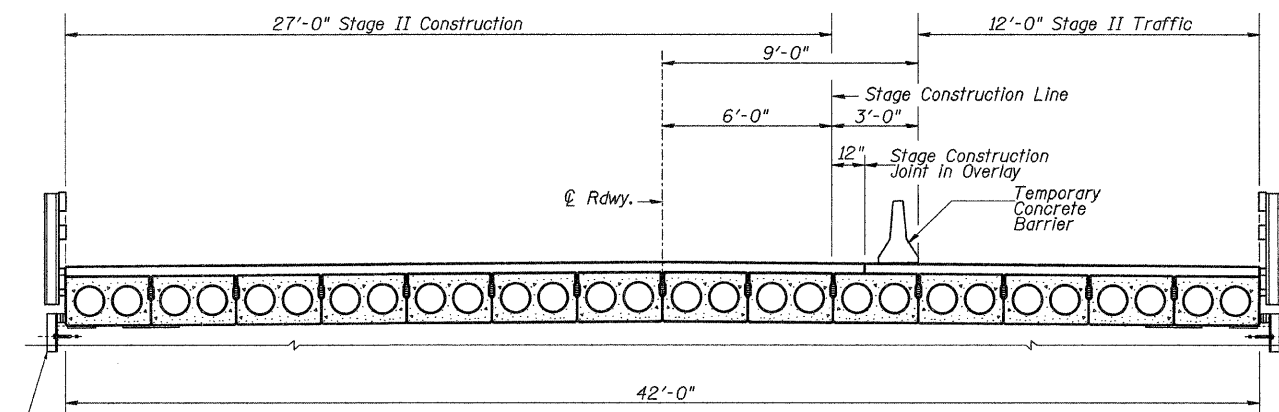
Permanent Side Retainer @ W. Abut. (See Sheet 14 of 16 for details)



STAGE I CONSTRUCTION

Temporary side retainer at West Abut. only. Remove angle and burn off anchor bolt flush with cap, grind smooth, and seal with epoxy prior to placement of Stage II PPC Deck Beam.

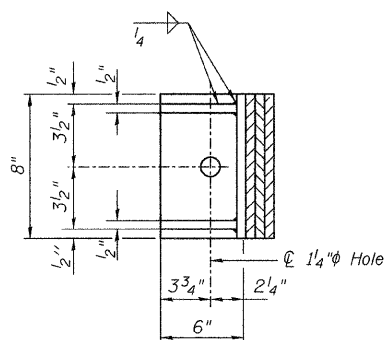
Permanent Side Retainer @ W. Abut. (See Sheet 14 of 16 for details)



STAGE II CONSTRUCTION

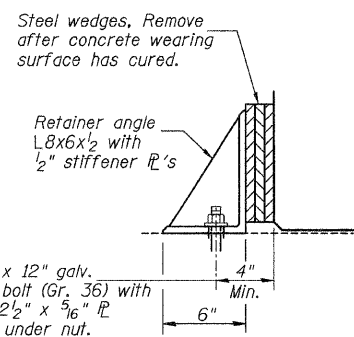
Permanent Side Retainer @ W. Abut. (See Sheet 14 of 16 for details)

Permanent Side Retainer @ W. Abut. (See Sheet 14 of 16 for details)



TEMPORARY RETAINER ANGLE PLAN

The retainers and hardware shall be galvanized after shop fabrication accordance to AASHTO M111 ASTM 385.



TEMPORARY RETAINER ANGLE ELEVATION

*Anchor bolts or approved threaded rod may be placed in drilled holes and grouted in place. Cost of retainers, accessories, and galvanizing are included with Precast Prestressed Concrete Deck Beams.

Notes:

All cross-sections are looking East.
Hatched area indicates Removal of Existing Superstructure.
For Temporary Concrete Barrier Details see sheet 3 of 16.
See Roadway Plans for quantity of Temporary Concrete Barrier.
Cost of Drum with Steady Burn Bi-Directional Light included in traffic control.
Anchor bolts shall be ASTM F1554 all-thread (or an Engineer-approved alternate material) of the grade(s) and diameter(s) specified. ASTM A307 Grade C anchor bolts may be used in lieu of ASTM F1554 Grade 36 (Fy=36ksi). The corresponding specified grade of AASHTO M314 anchor bolts may be used in lieu of ASTM F1554.
Drilled and set anchor bolts shall be installed according to Article 521.06 of the Standard Specifications.

DESIGNED	BAN
CHECKED	JEH
DRAWN	TC/TD
CHECKED	BAN

STAGE CONSTRUCTION DETAILS
F.A.S. 1247 (U.S. ROUTE 6)
OVER MUD CREEK
SECTION (6BRD)
HENRY COUNTY
STATION 666+69.05
STR. NO. 037-0131

HUTCHISON ENGINEERING, INC.
JACKSONVILLE, ILLINOIS
Rev: Date: