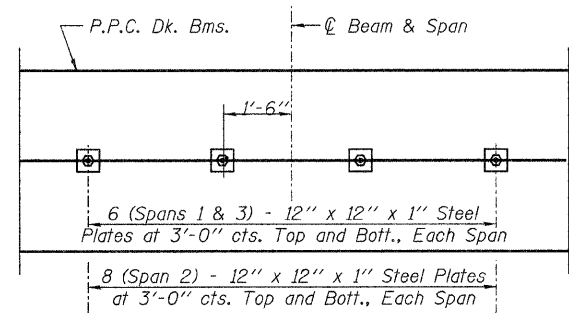


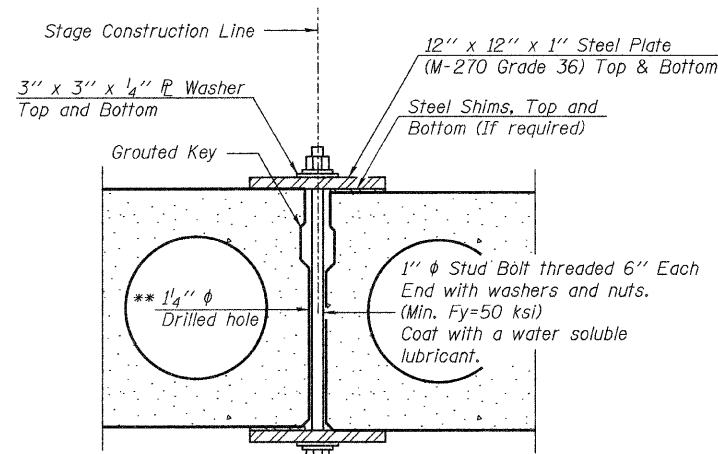
ROUTE NO.	SEC.	COUNTY	TOTAL SHEETS	SHEET NO.
FAS 1247	*	HENRY	80	39
FED. ROAD DIST. NO. 7		ILLINOIS	PROJECT	

SHEET NO. 9  
OF 16 SHEETS

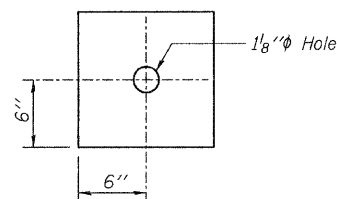
\* (6BR)D CONTRACT NO. 64D10



PLAN



SECTION



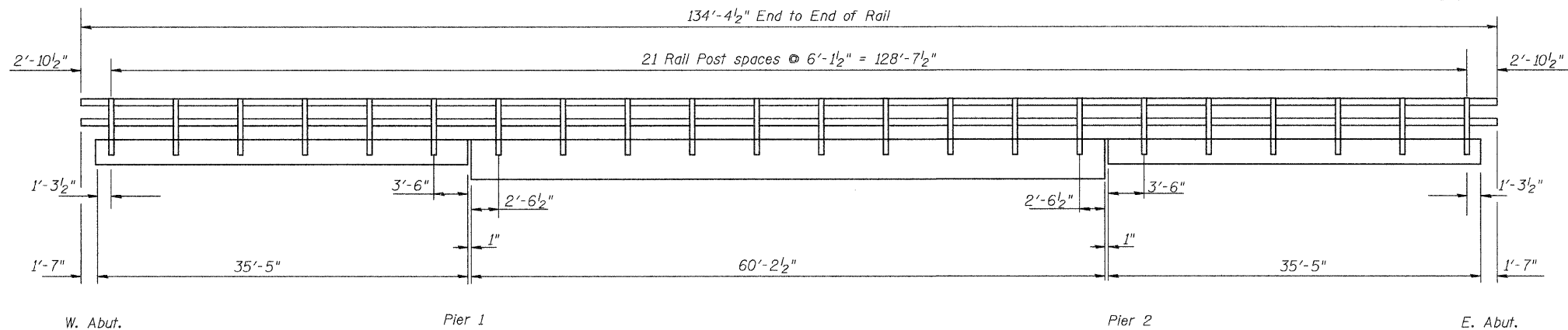
CLAMPING PLATE

**SHEAR KEY CLAMPING DETAILS AT STAGE CONST. JT.**

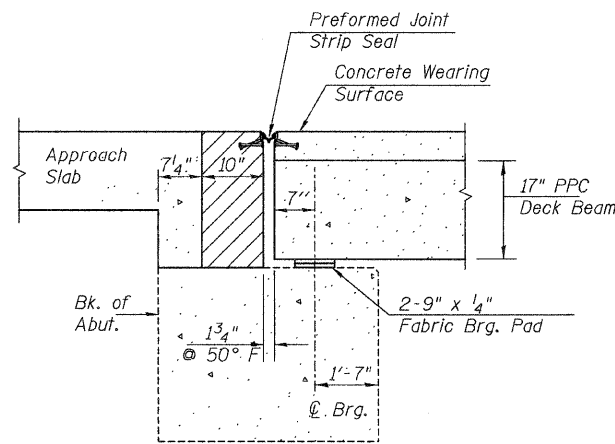
Cost included with Precast Prestressed Concrete Deck Beams.  
See Stage Construction Details for traffic lanes.  
Stage Construction of Precast Prestressed concrete deck beams shall be according to Article 504.06(d) of the Standard Specifications.

\*\* As an alternate to the drilled holes, the Contractor may request the Fabricator to cast 2" diameter semi-circular recesses in the sides of each beam adjacent to the stage construction line. These recesses should align to form a hole at the appropriate locations for the clamping device bolts. If the Contractor elects to use this alternate, the details shall be identified on the shop drawings.

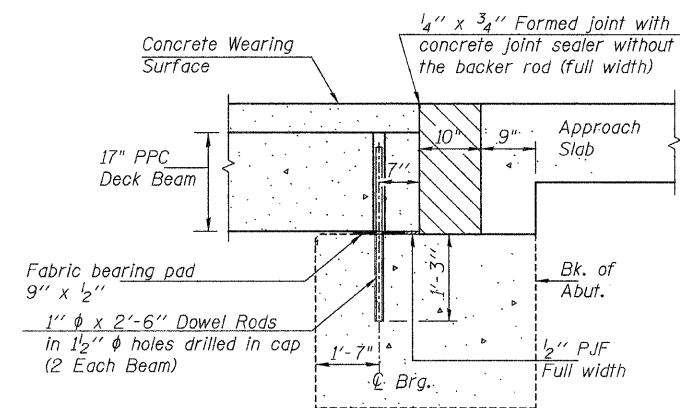
DESIGNED	BAN
CHECKED	JEH
DRAWN	TC/TD
CHECKED	BAN



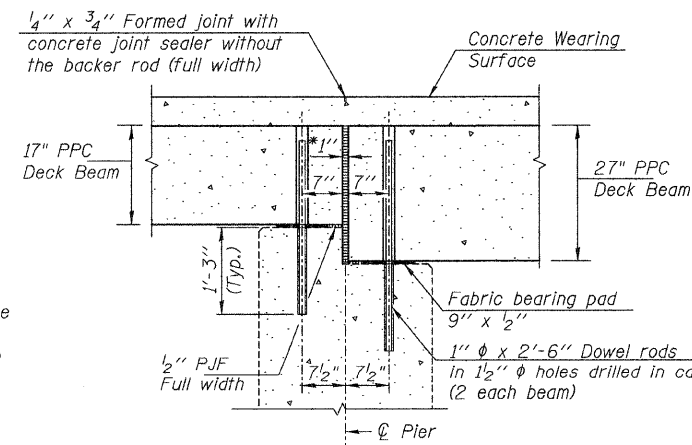
RAIL POST SPACING



SECTION THRU WEST ABUTMENT



SECTION THRU EAST ABUTMENT



SECTION THRU PIERS

\* 1" Jt. shall be filled with non-shrink grout. 1" dimension may vary to accommodate tolerance in beam lengths.

Note:  
Hatched area to be poured after concrete wearing surface is in place.  
After beams have been erected, holes shall be drilled into substructure and anchor dowels placed. Dowel holes shall be filled with non-shrink grout to top of beam and allowed to cure 24 hrs. prior to grouting of the shear keys

**SUPERSTRUCTURE DETAILS**  
**F.A.S. 1247 (U.S. ROUTE 6)**  
**OVER MUD CREEK**  
**SECTION (6BR)D**  
**HENRY COUNTY**  
**STATION 666+69.05**  
**STR. NO. 037-0131**

HUTCHISON ENGINEERING, INC.  
JACKSONVILLE, ILLINOIS  
Rev: Date: