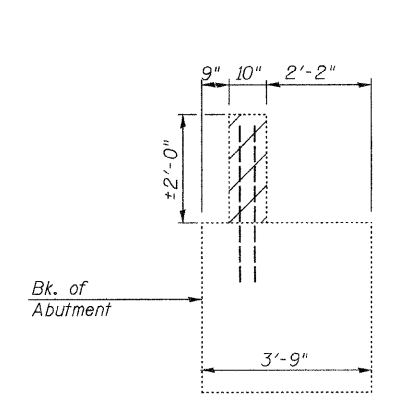
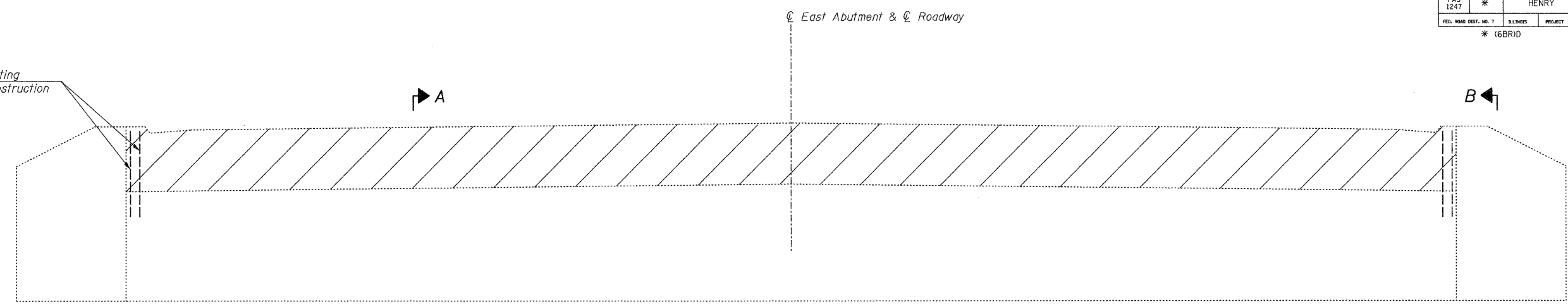
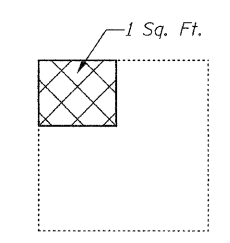


\*Clean & incorporate existing vertical bars into new construction



**SEC. A-A**

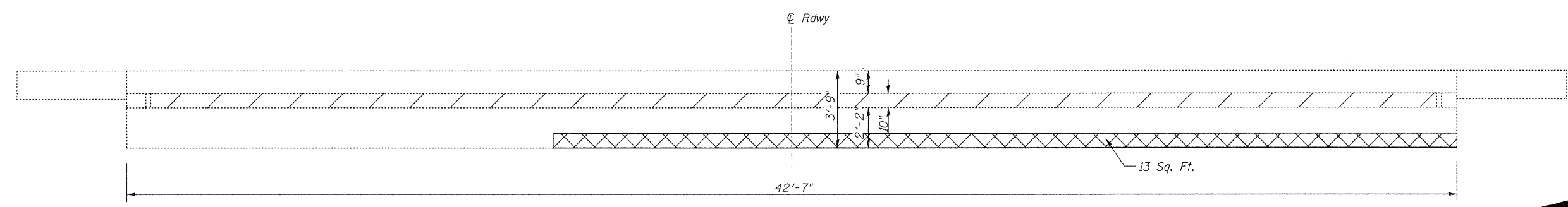
**ELEVATION**  
(Looking East)



**SEC. B-B**

**BILL OF MATERIAL**

Item	Unit	Quantity
Concrete Removal	Cu. Yd.	2.0
Structural Repair of Concrete (Depth equal to or less than 5")	Sq. Ft.	14



**PLAN**

**LEGEND**

- Structural Repair of Concrete (Depth equal to or less than 5")
- Concrete Removal

\* Existing reinforcement bars extending into new construction shall be cleaned, straightened and incorporated in to the new construction. Cost to be included with Concrete Removal.

DESIGNED	BAN
CHECKED	JEH
DRAWN	TC/TD
CHECKED	BAN

**EAST ABUTMENT REPAIRS  
AND CONCRETE REMOVAL**  
F.A.S. 1247 (U.S. ROUTE 6)  
OVER MUD CREEK  
SECTION (6BR)D  
HENRY COUNTY  
STATION 666+69.05  
STR. NO. 037-0131

HUTCHISON ENGINEERING, INC.  
JACKSONVILLE, ILLINOIS

Rev: \_\_\_\_\_ Date: \_\_\_\_\_