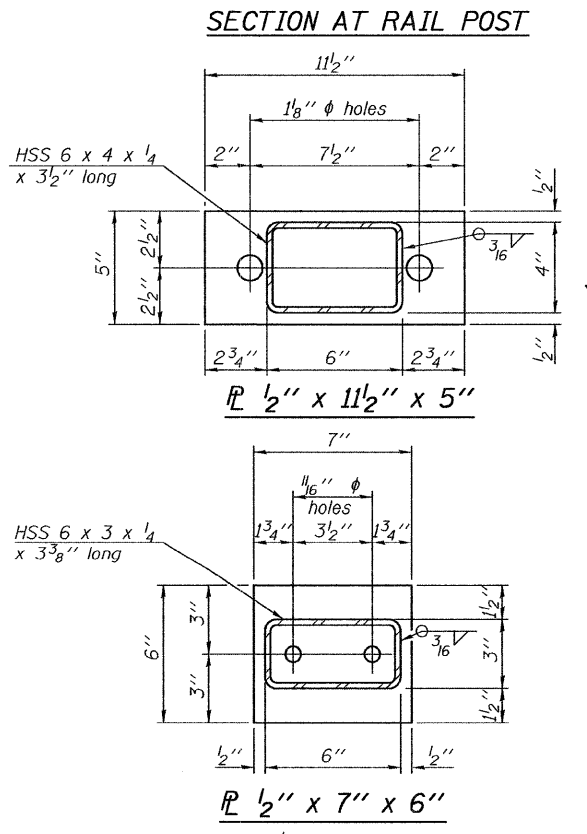
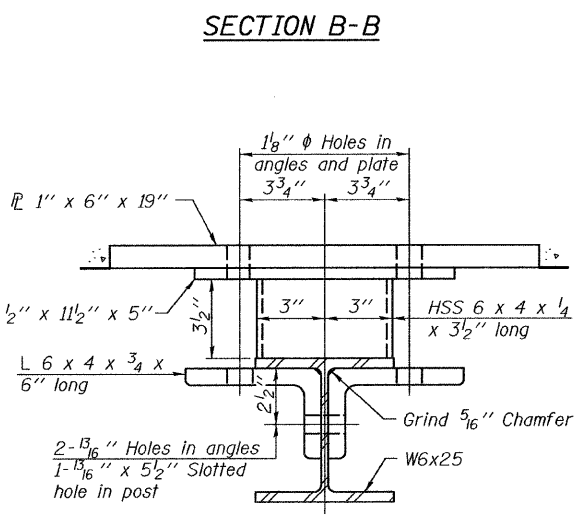
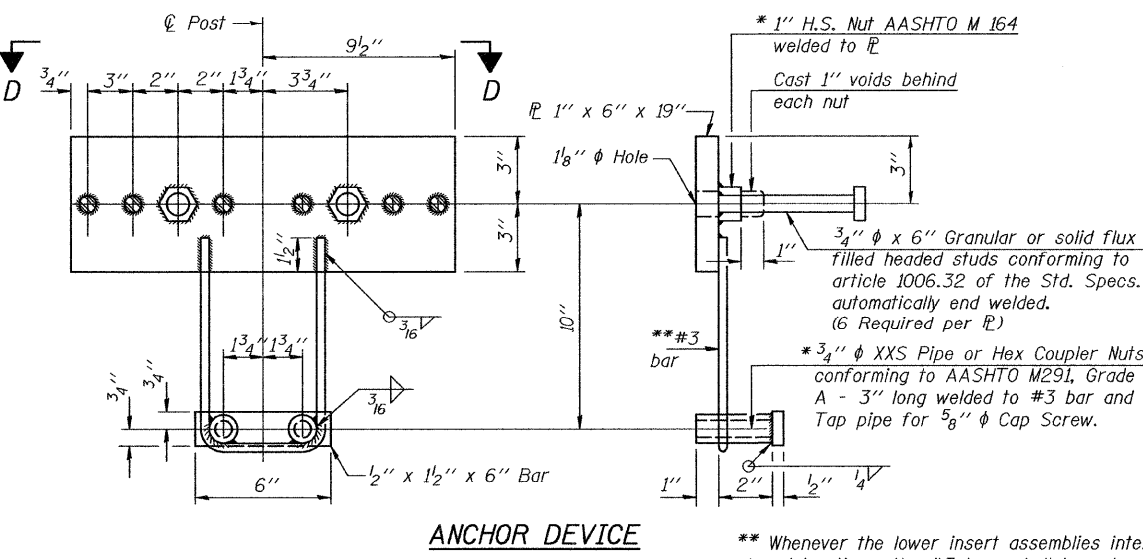
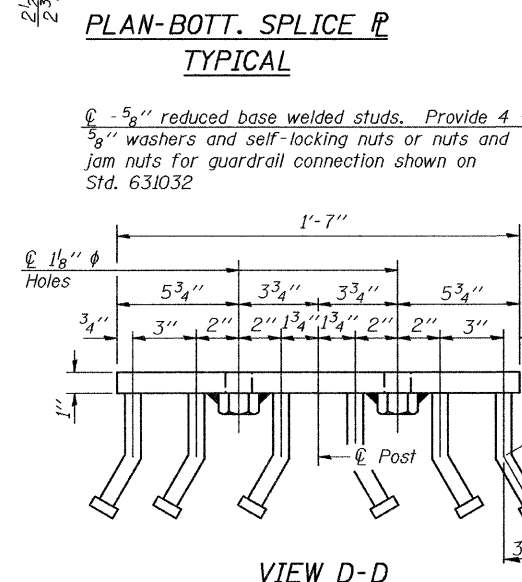
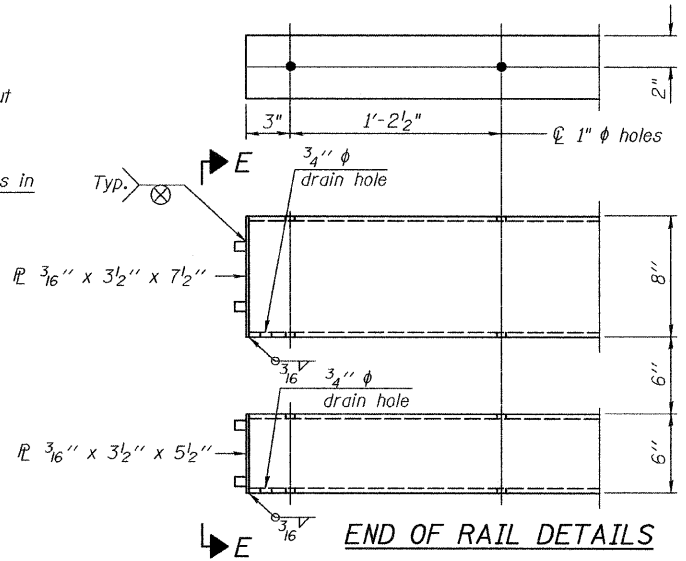
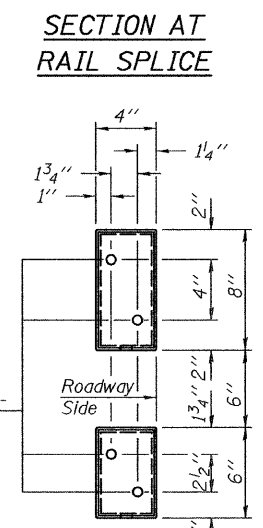
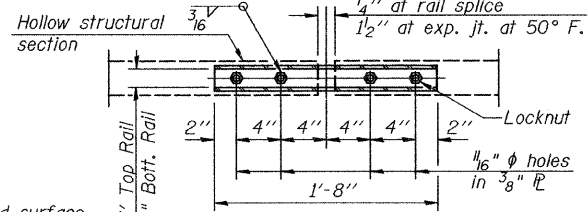
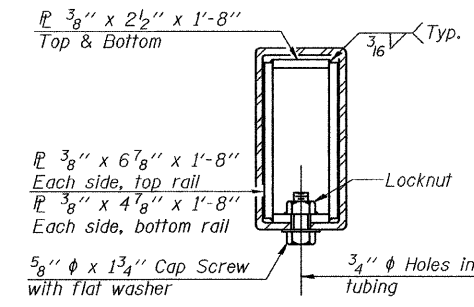
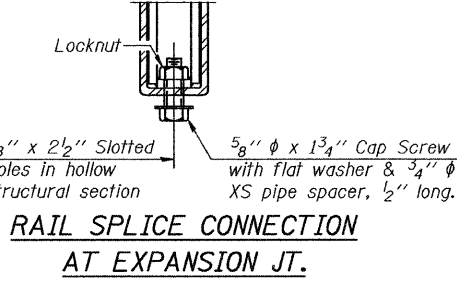
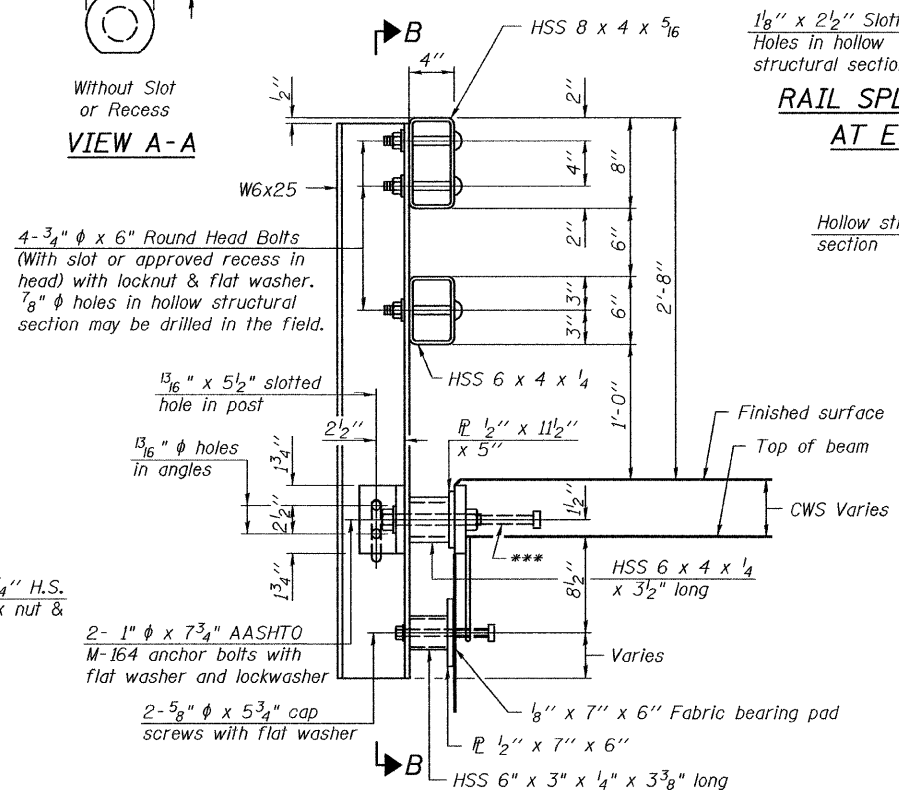
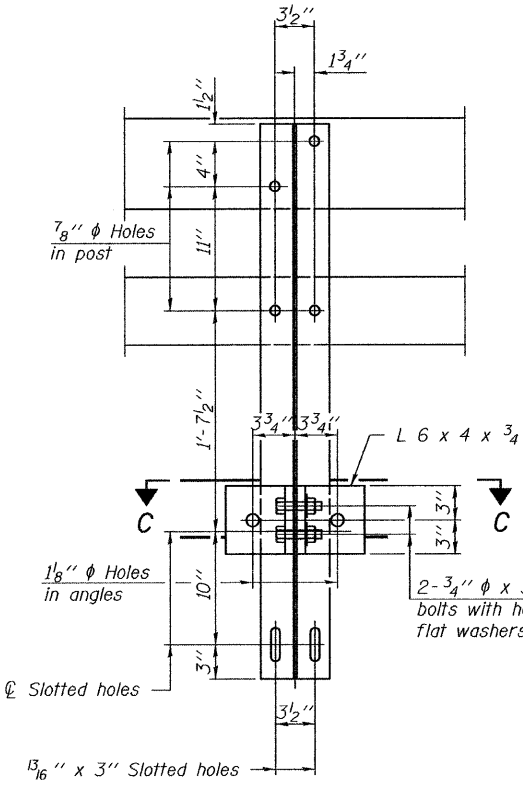
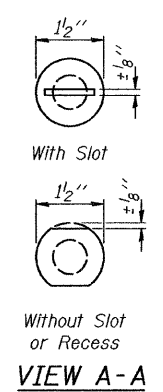
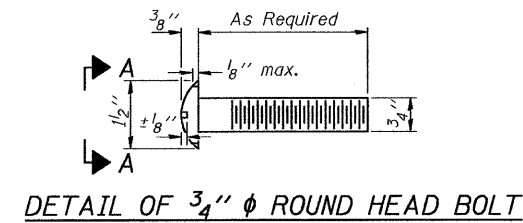


FOR RAIL POST SPACING SEE SH.#9 OF 15



**Notes:**

All field drilled holes shall be coated with an approved zinc rich paint before erection.

For multi-span bridges, sufficient 1/4" x 6" x 1'-2" galvanized steel shims shall be provided to align rail between adjacent spans. Cost included with Steel Railing, Type SM.

Steel rail elements shall be galvanized according to Article 509.05 of the Standard Specifications.

\*\*\* The studs of the anchor devices shall be placed below the top reinforcement bars and the outermost longitudinal reinforcement bar shall be placed directly above the studs of the rail post anchor device.

**BILL OF MATERIAL**

Item	Unit	Quantity
Steel Railing, Type SM	Foot	379

**STEEL RAILING, TYPE SM WITH CONCRETE WEARING SURFACE**  
**FAP 22 (ILLINOIS ROUTE 78)**  
**OVER GREEN RIVER**  
**SEC. (125BR-11D)**  
**HENRY COUNTY**  
**STATION 882+67.79**  
**STR. NO. 037-0129**

HUTCHISON ENGINEERING, INC.  
 JACKSONVILLE, ILLINOIS

Rev: \_\_\_\_\_ Date: \_\_\_\_\_

DESIGNED	BAN
CHECKED	JOH
DRAWN	TD
CHECKED	BAN