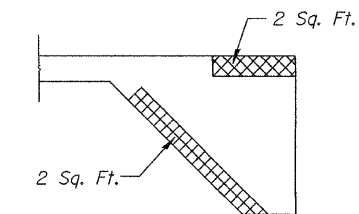


SECTION E-E



VIEW D-D

LEGEND

- Structural Repair of Concrete (Depth equal to or less than 5")
- Concrete Removal

BILL OF MATERIAL

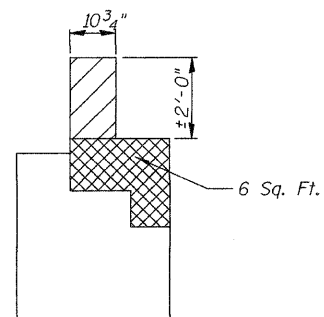
Item	Unit	Quantity
Concrete Removal	Cu. Yd.	4.3
Structural Repair of Concrete (Depth equal to or less than 5")	Sq. Ft.	29

**ABUTMENT REPAIRS AND
CONCRETE REMOVAL
FAP 22 (ILLINOIS ROUTE 78)
OVER GREEN RIVER
SEC. (125BR-1)D
HENRY COUNTY
STATION 882+67.79
STR. NO. 037-0129**

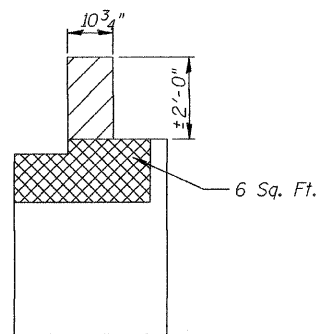
HUTCHISON ENGINEERING, INC.
JACKSONVILLE, ILLINOIS

Rev: Date:

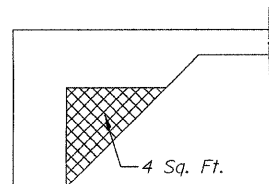
* Existing reinforced bars extending into new construction shall be cleaned, straightened and incorporated into the new construction. Cost to be included with Concrete Removal.



VIEW A-A

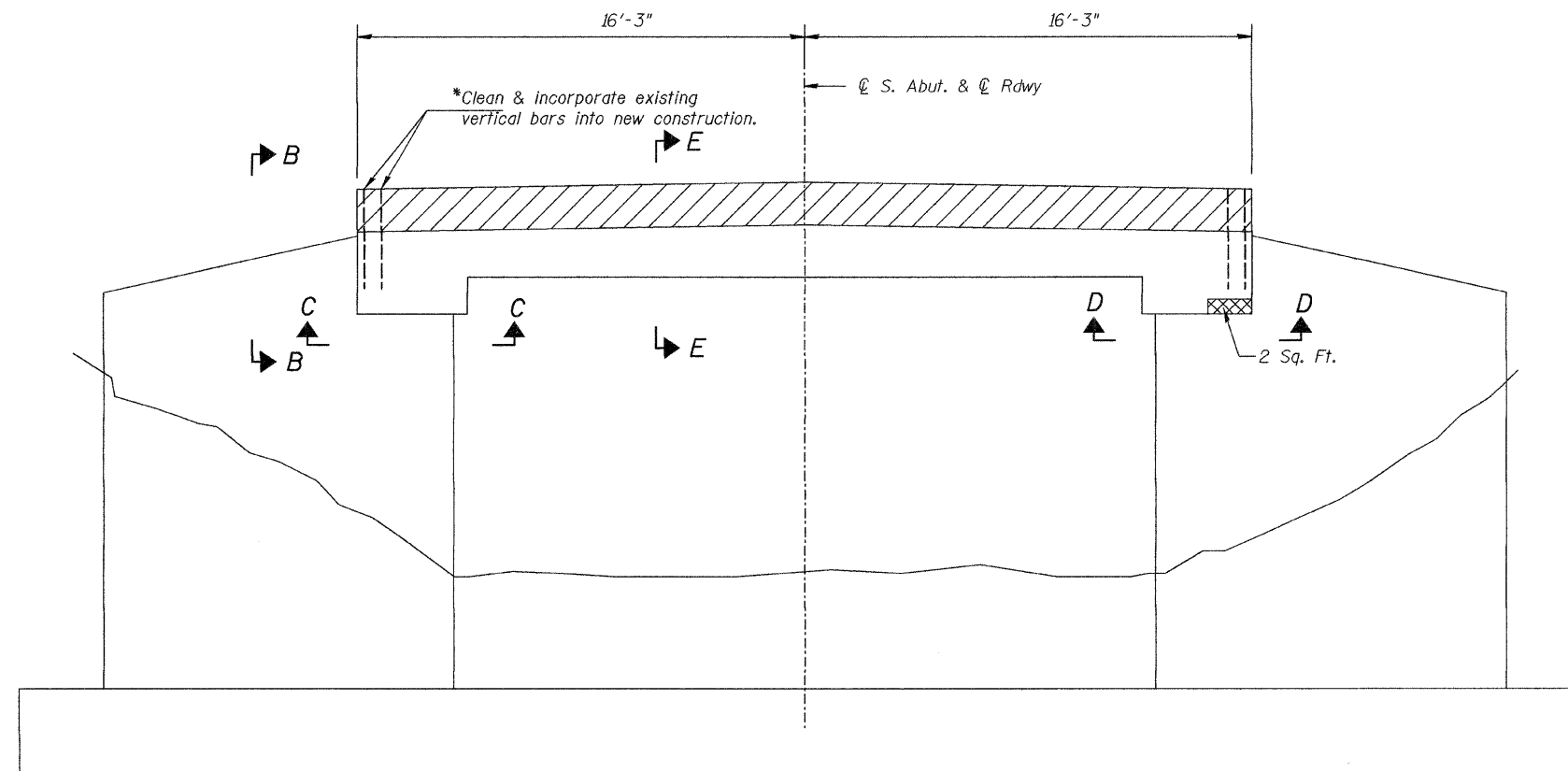


VIEW B-B



VIEW C-C

DESIGNED	BAN
CHECKED	JOH
DRAWN	TD
CHECKED	BAN



SOUTH ABUTMENT

(Looking South)