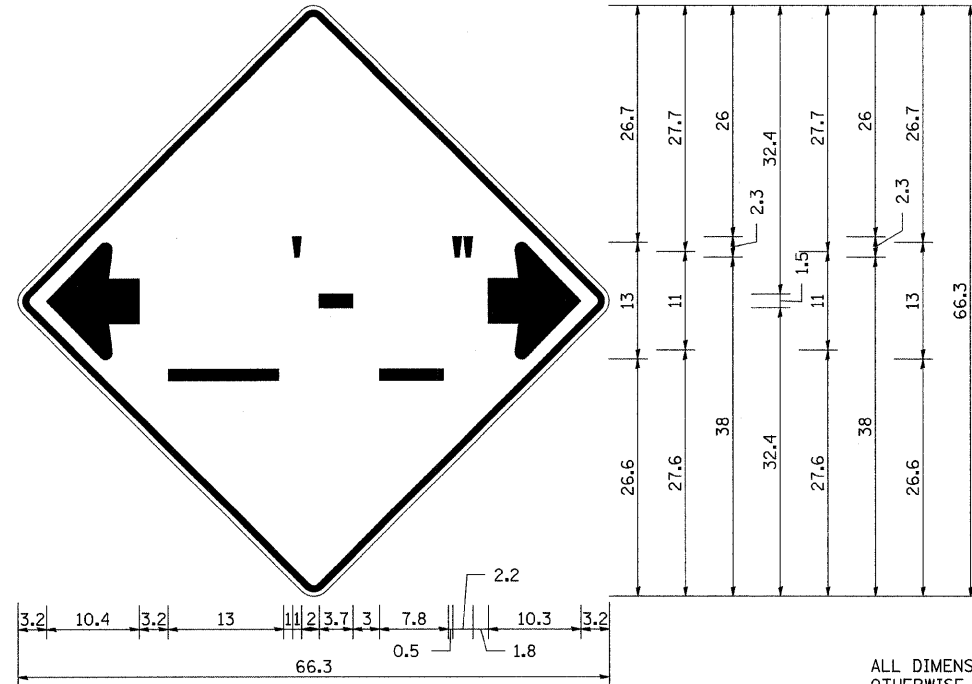


# INFORMATIONAL WARNING SIGN (FOR NARROW TRAVEL LANES)



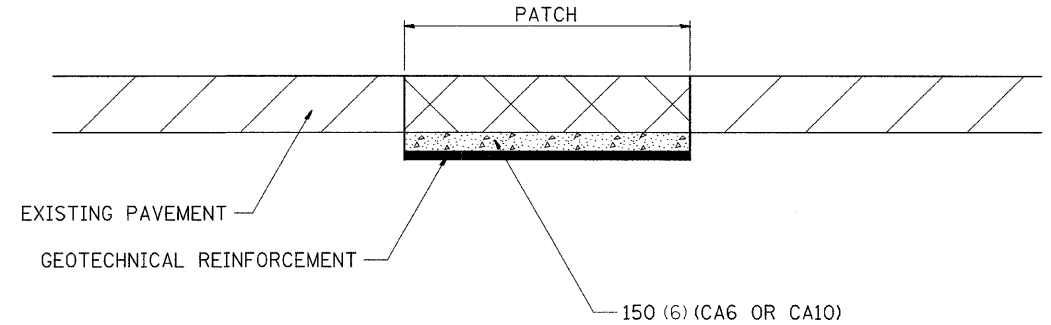
**NOTES**  
 W12-2 - Horizontal Clearance Sign  
 48.0" across sides, 1.9" Radius,  
 0.8" Border, 0.5" Indent, Black on  
 Orange; Standard Arrow Custom  
 10.4" X 8.1" 180° Black 11 Inch  
 D Series Lettering; Standard Arrow  
 Custom 10.4" X 8.1" 0°

All work to furnish and install these signs shall be included in the cost of the Traffic Control Standards and shall not be paid for separately.

ALL DIMENSIONS ARE IN INCHES UNLESS OTHERWISE NOTED.

REVISED - 6-29-05

# SUBGRADE REPLACEMENT



**NOTES:**

THE CA 6 OR CA 10 SHALL BE COMPACTED IN A MANNER APPROVED BY THE ENGINEER. IF THE MOISTURE CONTENT OF THE MATERIAL IS SUCH THAT COMPACTION SATISFACTORY TO THE ENGINEER CANNOT BE OBTAINED, SUFFICIENT WATER SHALL BE ADDED SO THAT SATISFACTORY COMPACTION CAN BE OBTAINED.

THE GEOTECHNICAL REINFORCEMENT WILL BE PAID FOR AT THE CONTRACT UNIT PRICE PER SQ YD FOR GEOTECHNICAL REINFORCEMENT

ALL DIMENSIONS ARE IN MILLIMETERS (INCHES) UNLESS OTHERWISE NOTED.

REVISED - 11-01-07

## INFORMATIONAL WARNING SIGN (FOR NARROW TRAVEL LANES) 39.4

## SUBGRADE REPLACEMENT 97.4

# STOP LINE SIGN FOR TEMPORARY SIGNALS



SIZE: 600(24) x 600(24)

100(4) CAPITAL LETTERS - BLACK

13 (1/2) BORDER - BLACK

WHITE REFLECTIVE - TYPE AP  
HIGH INTENSITY PRISMATIC SHEETING

**GENERAL NOTE:**

THIS SIGN SHALL BE INSTALLED AT THE STOP LINE AS DIRECTED BY ENGINEER.

ALL DIMENSIONS ARE IN MILLIMETERS (INCHES) UNLESS OTHERWISE NOTED.

REVISED - 1-22-07

## STOP LINE SIGN FOR TEMPORARY SIGNALS 99.4

FAP 22 (IL 78) & FAS 1247 (US 6) \*\* (125BR-1D) & (6BR)D

REVISED -	REGION 2 / DISTRICT 2 STANDARD	F.A. RTE.	SECTION	COUNTY	TOTAL SHEETS	SHEET NO.	
REVISED -		*	**	HENRY	80	63	
REVISED -		SCALE: 48.8349' / IN	SHEET NO. OF SHEETS		STA. TO STA.	CONTRACT NO. 64D10	
REVISED -		FED. ROAD DIST. NO. ILLINOIS		FED. AID PROJECT			

PLOT DATE = Wed Nov 28 13:43:36 2007