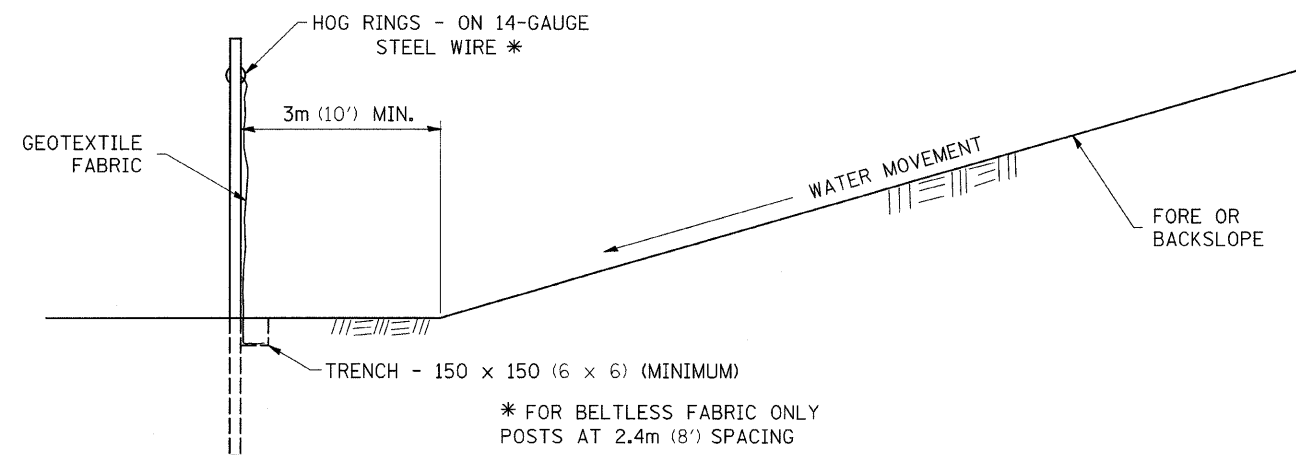
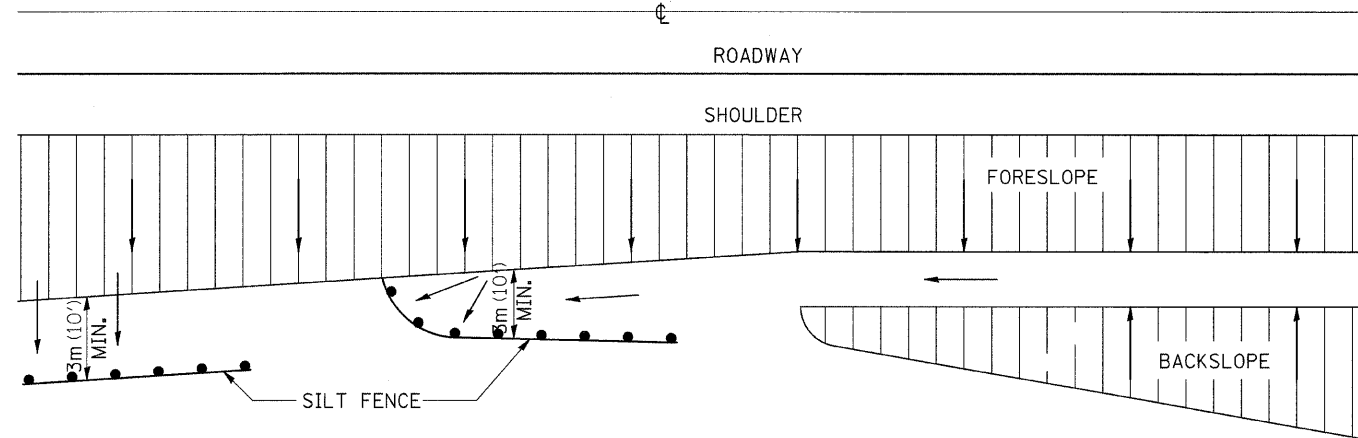


EROSION CONTROL DETAILS FOR SILT FENCE

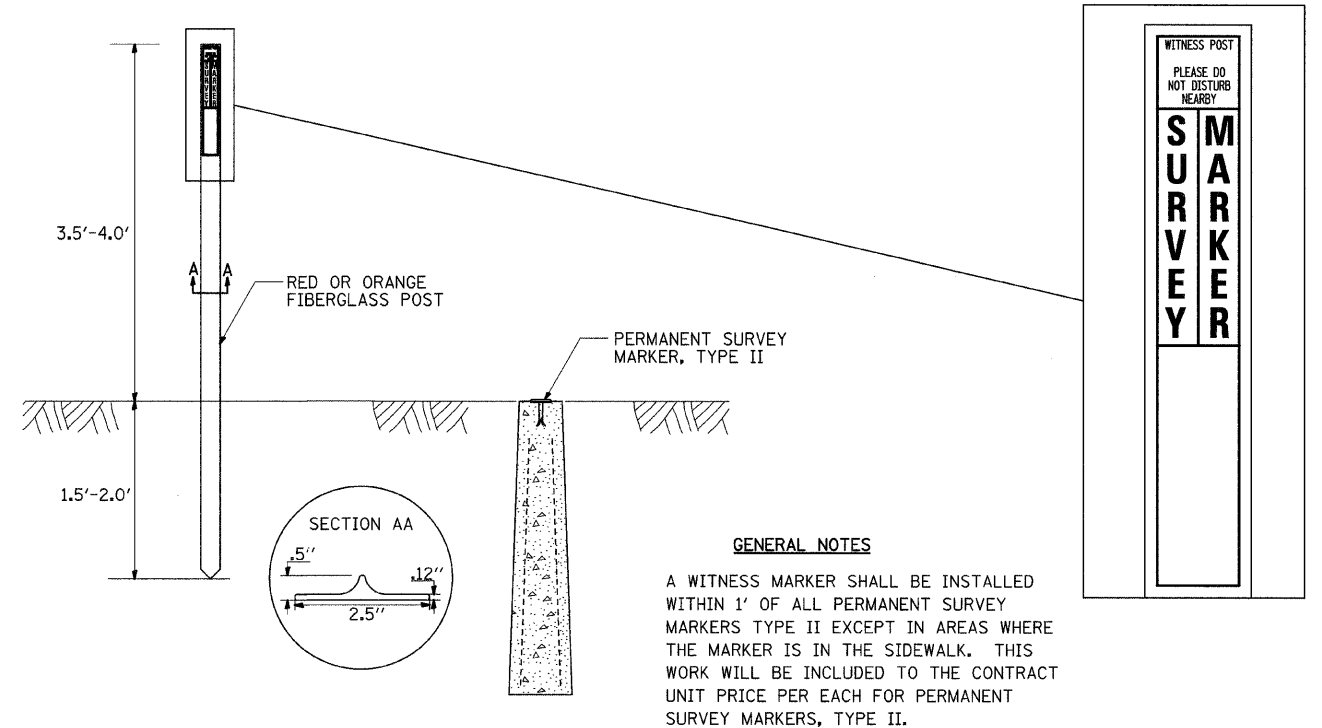


DETAILS OF SILT FENCE

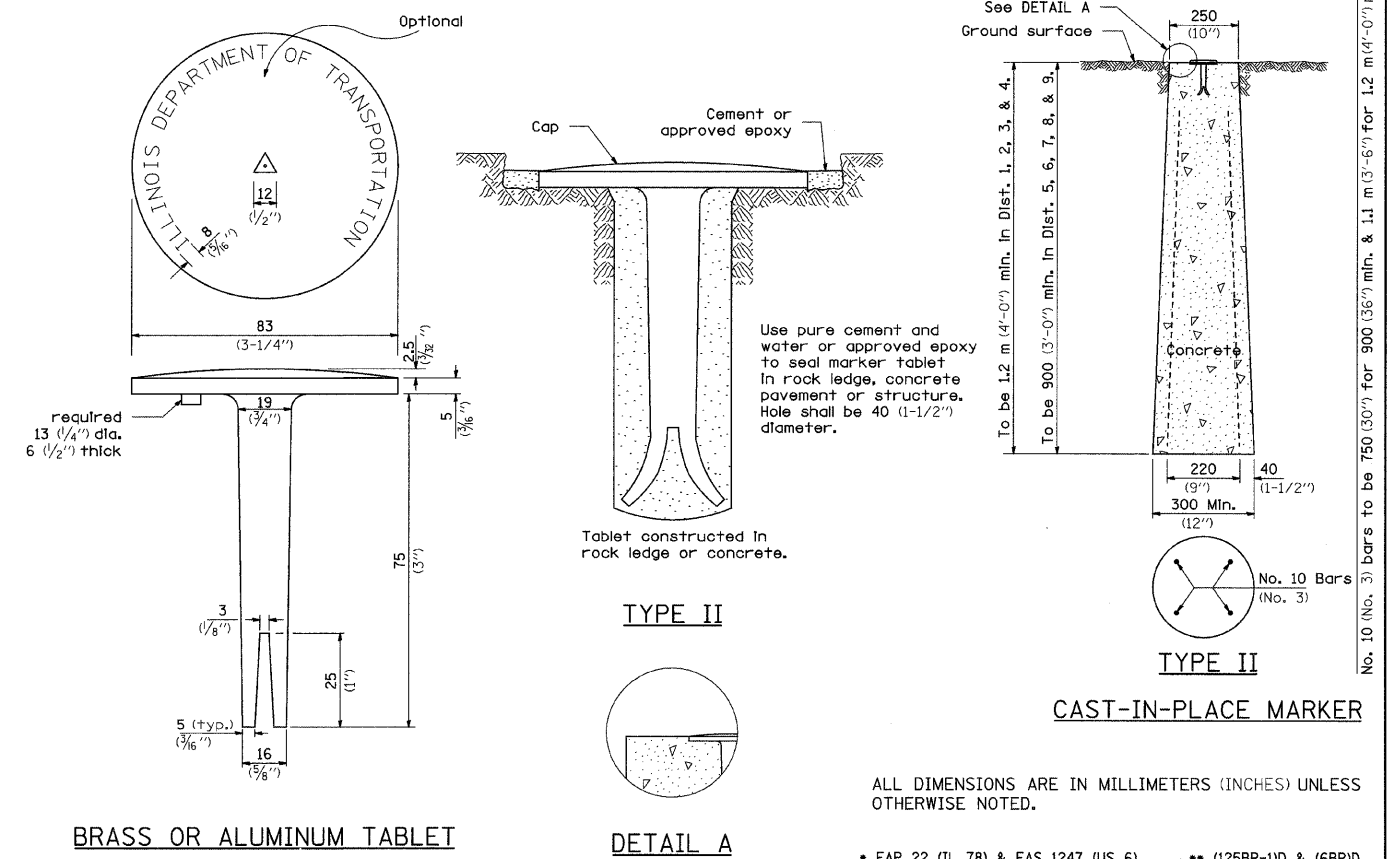
ALL DIMENSIONS ARE IN MILLIMETERS (INCHES) UNLESS OTHERWISE NOTED.

REVISED - 10-22-01

WITNESS MARKER FOR PERMANENT SURVEY MARKERS, TYPE II



PERMANENT SURVEY MARKERS, TYPE II



ALL DIMENSIONS ARE IN MILLIMETERS (INCHES) UNLESS OTHERWISE NOTED.

• FAP 22 (IL 78) & FAS 1247 (US 6) •• (125BR-1D & (6BRD)

| | | | | | | | |
|-------------------|--------------------------------|---------------------|-----------|---------|---|--------------|-----------|
| REVISED - 6-26-06 | REGION 2 / DISTRICT 2 STANDARD | | F.A. RTE. | SECTION | COUNTY | TOTAL SHEETS | SHEET NO. |
| REVISED - | | | . | .. | HENRY | 80 | 64 |
| REVISED - | | | | | CONTRACT NO. 64D10 | | |
| REVISED - | SCALE: 48.0349' / IN | SHEET NO. OF SHEETS | STA. | TO STA. | FED. ROAD DIST. NO. ILLINOIS FED. AID PROJECT | | |