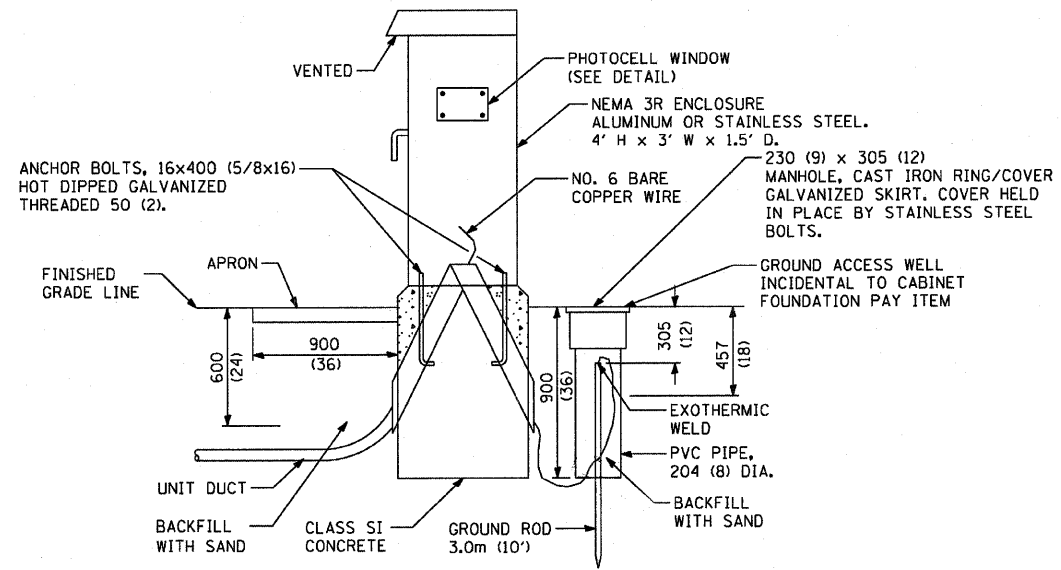
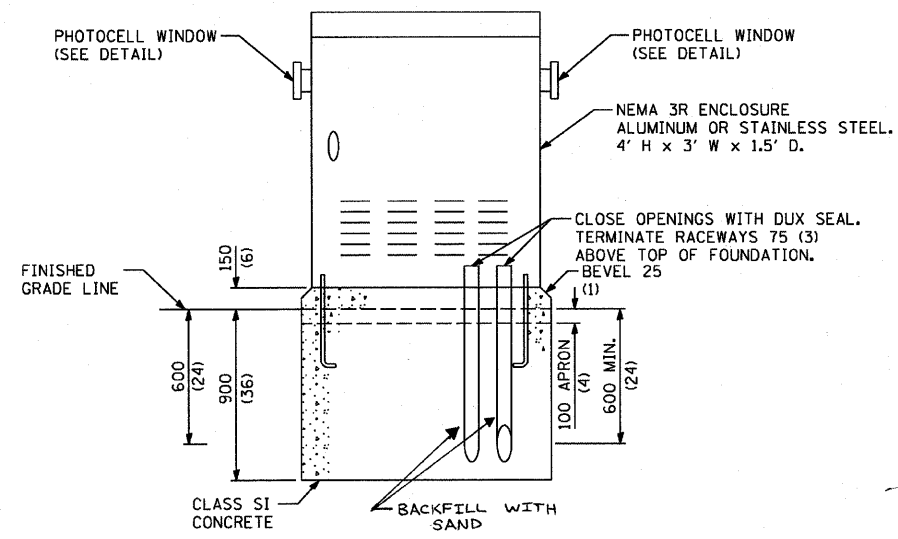


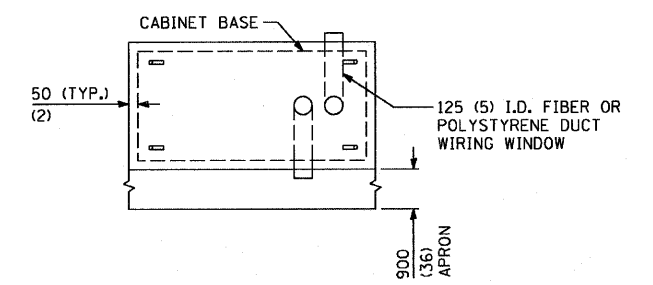
F.A.P. RTE.	SECTION	COUNTY	TOTAL SHEETS	SHEET NO.
786	(109) BR	LASALLE	351	185
STA.		TO STA.		
FED. ROAD DIST. NO.		ILLINOIS FED. AID PROJECT		

ELECTRICAL LEGEND

- PROPOSED LIGHT POLE
- ⊗ PROPOSED NAVIGATION LIGHT
- ⊙ EXISTING LIGHT POLE
- PROPOSED JUNCTION BOX
- ⊠ EXISTING LIGHTING CONTROLLER
- ⊡ PROPOSED LIGHTING CONTROLLER
- E— PROPOSED ELECTRIC CONDUCTOR CIRCUITING
- T— EXISTING TELEPHONE UTILITY
- A— EXISTING AERIAL CONDUCTORS
- EXISTING UTILITY POLE
- PROPOSED UTILITY POLE
- ==== CONDUIT SLEEVE AS INDICATED

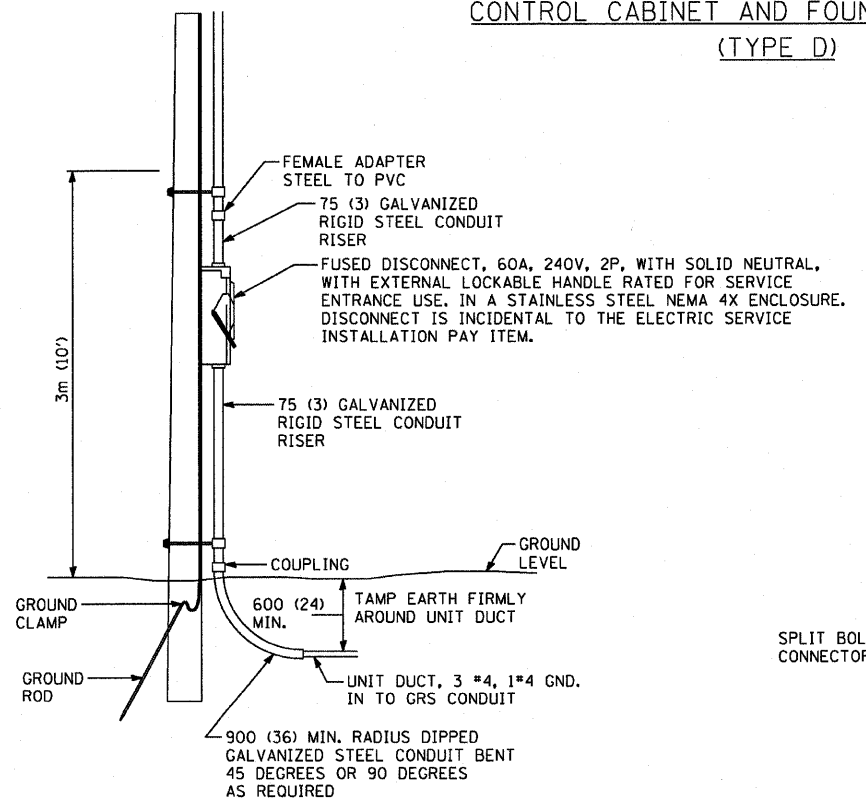


CONTROL CABINET AND FOUNDATION DETAIL (TYPE D)



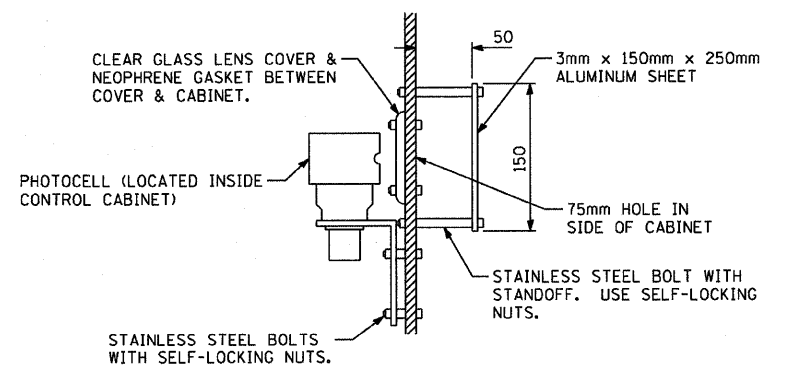
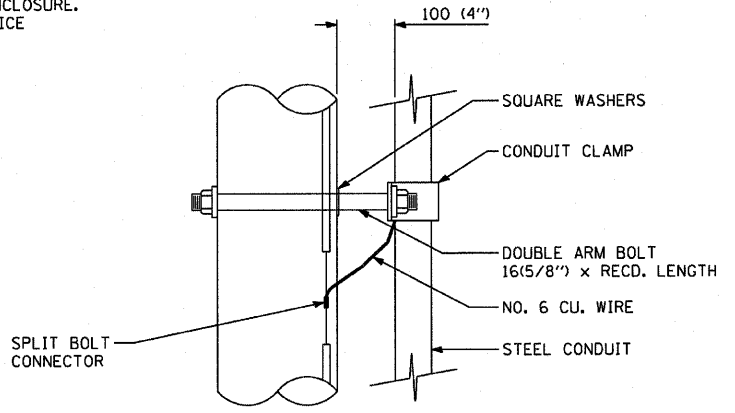
CONTROL CABINET FOUNDATION TOP VIEW

NOTE: ALL DIMENSIONS ON THIS DRAWING ARE IN MILLIMETERS (INCHES) UNLESS OTHERWISE INDICATED.



- NOTES:**
- INSTALL CONDUIT FROM FUSED DISCONNECT TO APPROXIMATELY 3m (10') UP THE POLE AS SHOWN. ILLINOIS POWER COMPANY TO INSTALL ALL GROUNDING EQUIPMENT ON RISER POLE.
 - CONSULT WITH LOCAL ILLINOIS POWER OFFICE BEFORE CONSTRUCTION.
 - PHOTOCELLS MAY ALSO BE MOUNTED EXTERNAL ON RIGID PIPE RISERS OR ON THE CUSTOMER SERVICE POLE AS APPROVED BY THE ENGINEER TO PREVENT VANDALISM

UTILITY RISER DETAIL



PHOTOCELL DETAIL

REVISIONS		ILLINOIS DEPARTMENT OF TRANSPORTATION
NAME	DATE	
		<p>ELECTRICAL DETAILS</p> <p>IL 170 BRIDGE REPLACEMENT AT SENECA</p> <p>SCALE: 1" = 50'</p> <p>DATE: OCTOBER, 2007</p> <p>DRAWN BY: CJO</p> <p>CHECKED BY: JCL</p>

DATE = 10/1/2007
 FILE NAME = 11111111
 PLOT SCALE = 1/8"=1'-0"
 USER NAME = Project