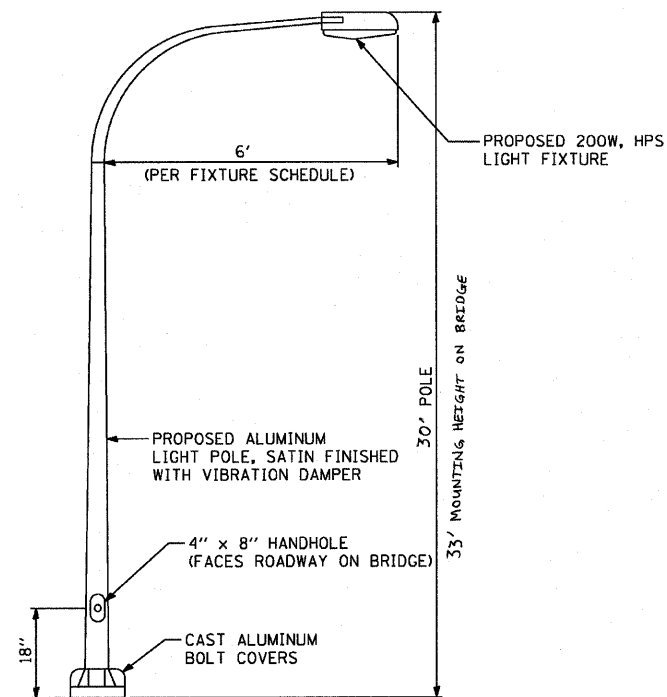
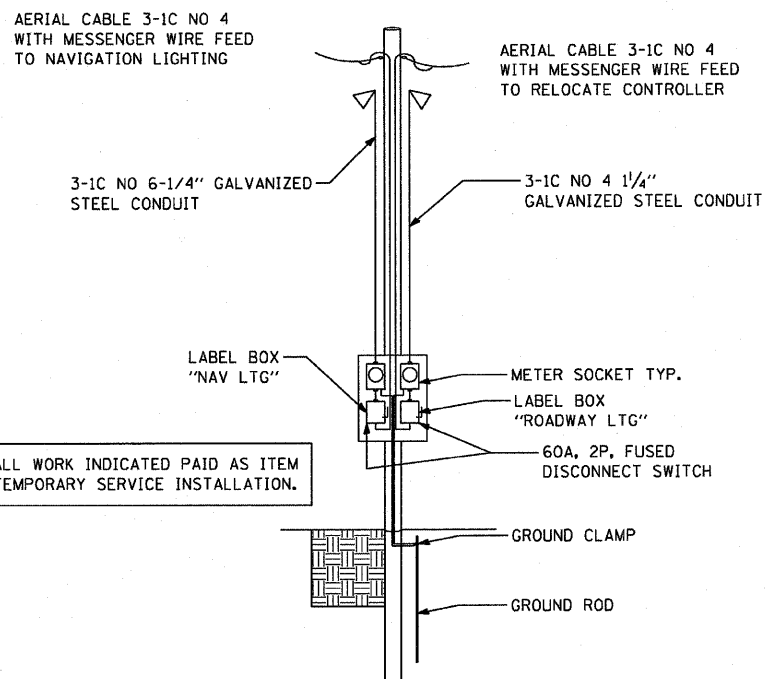


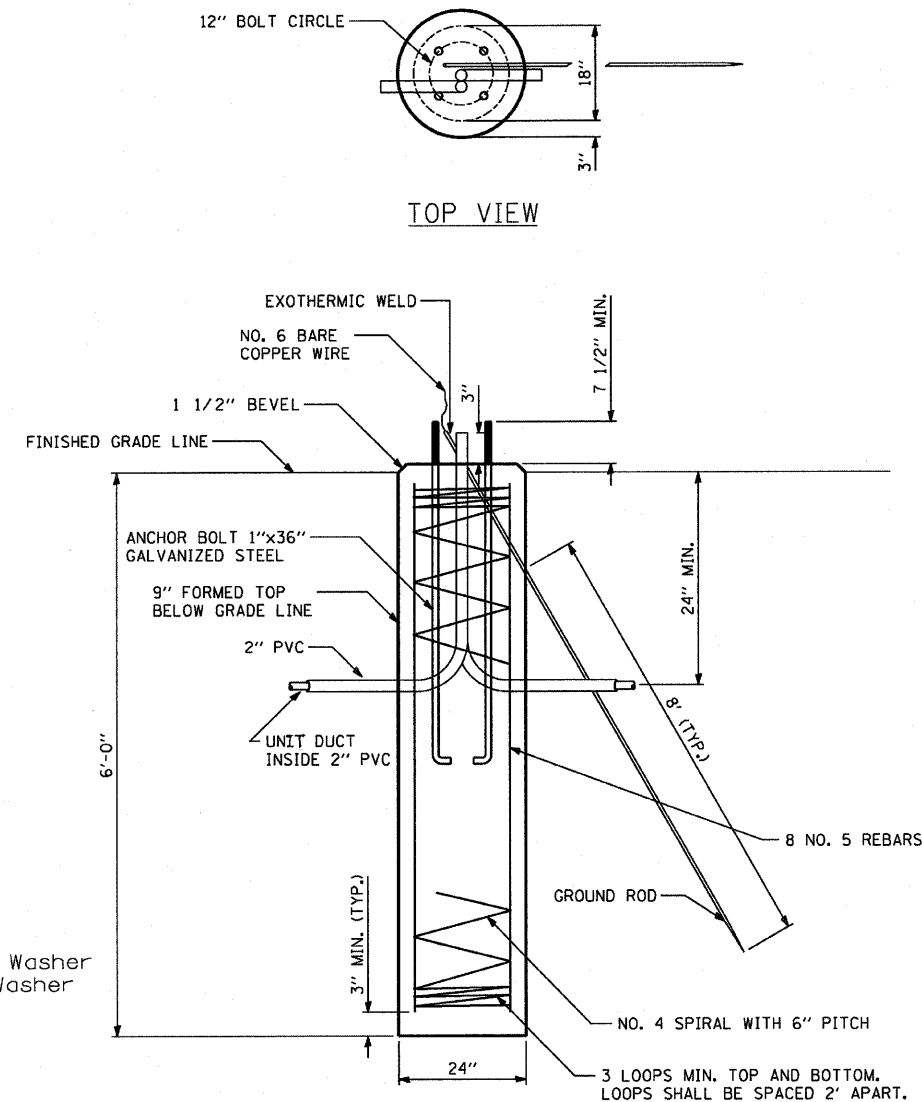
F.A.P. RTE.	SECTION	COUNTY	TOTAL SHEETS	SHEET NO.
786	(109) BR	LASALLE	351	189
STA.		TO STA.		
FED. ROAD DIST. NO.		ILLINOIS FED. AID PROJECT		



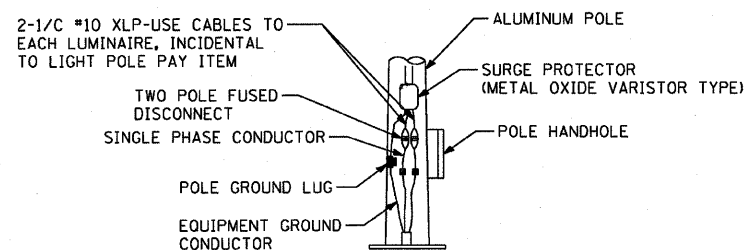
LIGHT POLE DETAIL



TEMPORARY SERVICE DETAIL

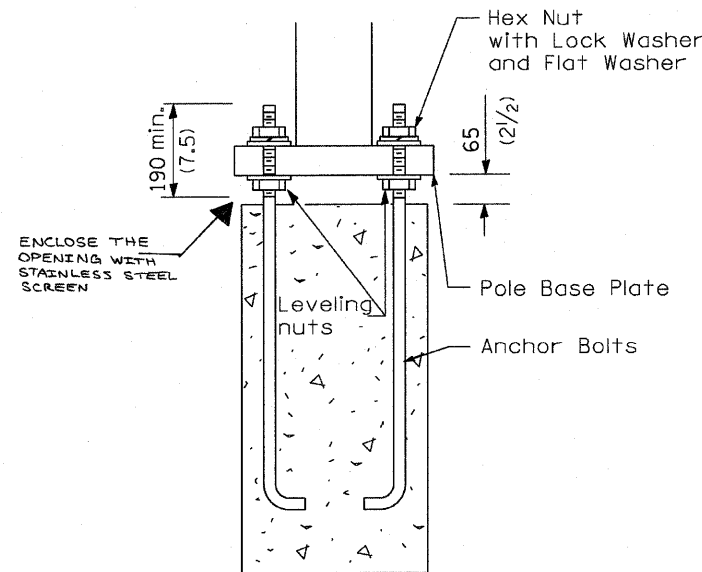


ROADWAY POLE FOUNDATION



POLE BASE WIRING

NOTES:  
ACCESSORIES AND POLE WIRING ARE TO BE INCIDENTAL TO COST OF THE LUMINAIRE PAY ITEM.



POLE MOUNTING DETAIL

LIGHT FIXTURE SCHEDULE						
ID	TYPE	BULB	VOLTS	DESCRIPTION	DAVIT ARM	MTG. HT.
A1 - 6	F1	250W HPS S66VA-200	240	IES TYPE III-S-C, FLAT GLASS LENS	6'	30'
B1 - 6	F1	250W HPS S66VA-200	240	IES TYPE III-S-C, FLAT GLASS LENS	6'	30'
C3,4	F3	44 Cd - GREEN	120	CHANNEL MARKER, 360 DEGREE SINGLE LENS, LED TYPE	NA	NA
C1,2,5,6	F2	46 Cd - RED	120	CHANNEL MARKER, 180 DEGREE SINGLE LENS, LED TYPE	NA	NA
D1,2	F4	250W HPS S66VA-200	240	IES TYPE III-S-C, FLAT GLASS LENS	6'	30'

REVISIONS	
NAME	DATE

ILLINOIS DEPARTMENT OF TRANSPORTATION  
**ELECTRICAL DETAILS**  
**IL 170 BRIDGE REPLACEMENT AT SENECA**  
SCALE: 1" = 50'  
DATE: OCTOBER, 2007  
DRAWN BY: CJO  
CHECKED BY: JCL