



A Tyco International Ltd. Company

F.A.P. RTE.	SECTION	COUNTY	TOTAL SHEETS	SHEET NO.
786	(109) BR	LASALLE	351	200

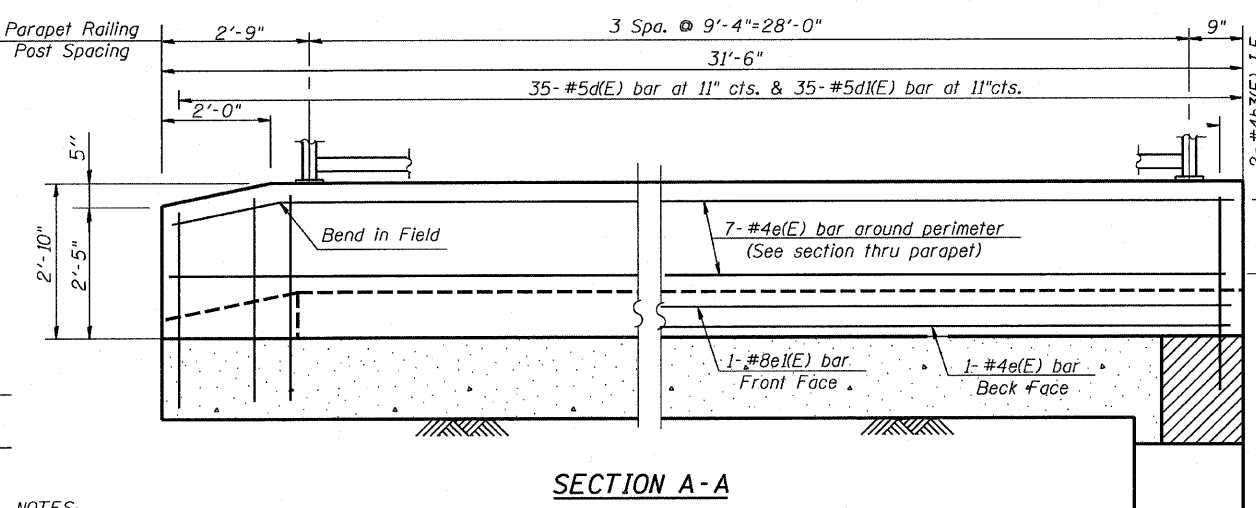
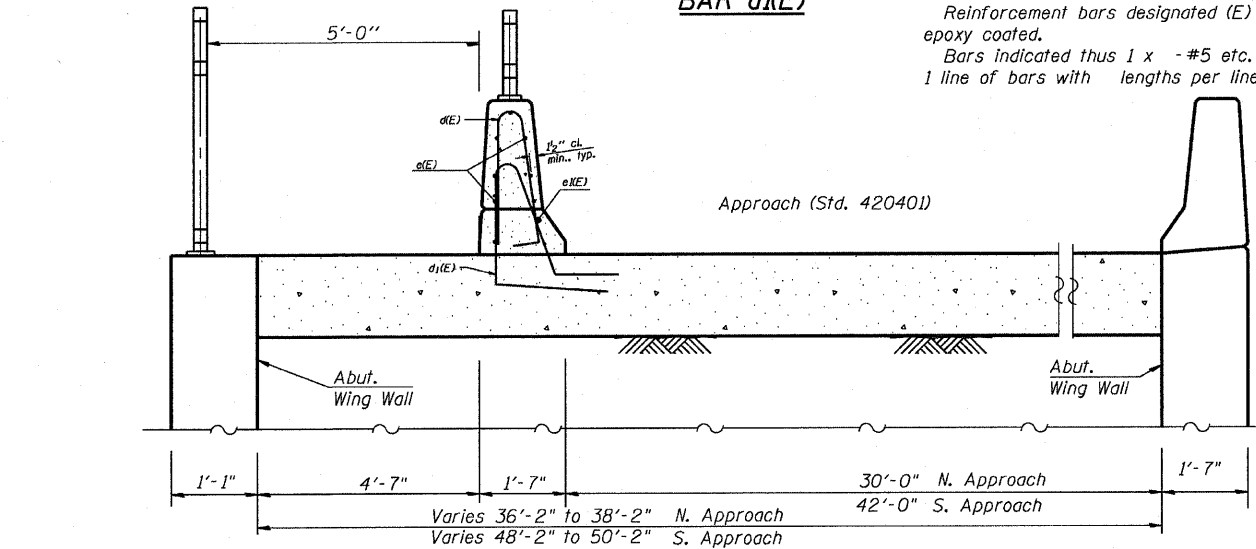
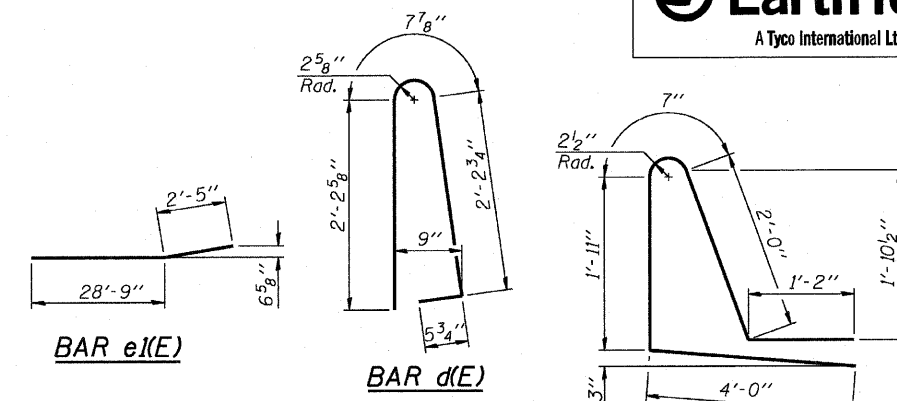
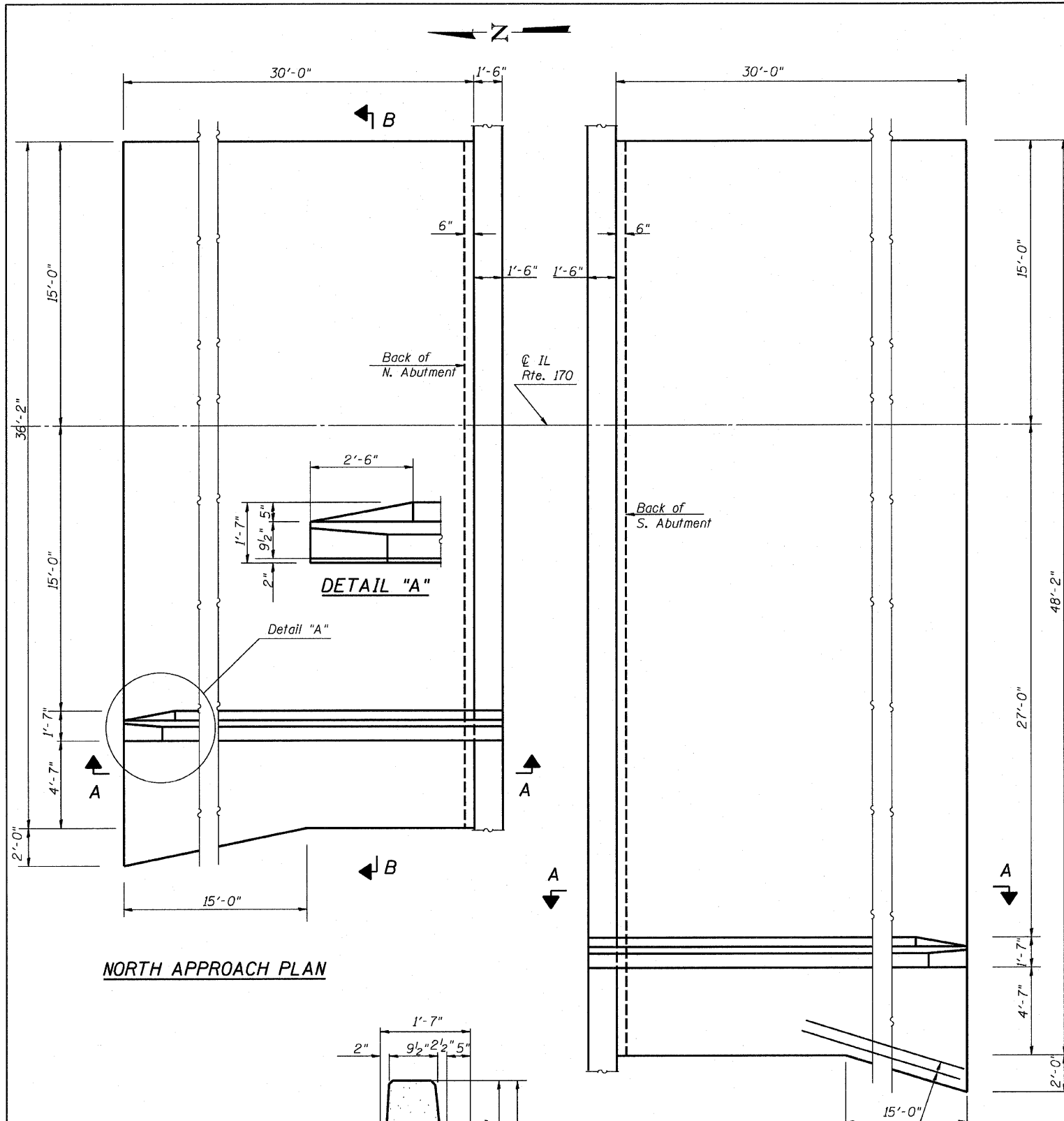
STA. TO STA.
FED. ROAD DIST. NO. ILLINOIS FED. AID PROJECT

BILL OF MATERIAL

For Approach Parapets only

Bar	No.	Size	Length	Shape	
d(E)	70	#5	5'-7"		
d1(E)	70	#5	9'-8"		
e(E)	16	#4	3'-0"	—	
e1(E)	2	#8	2'-5"	—	
Reinforcement Bars, Epoxy Coated				Pound	1615
Concrete				Cu. Yds.	7

Reinforcement bars designated (E) shall be epoxy coated.
Bars indicated thus 1 x -#5 etc. indicates 1 line of bars with lengths per line.



NOTES:
For Bridge Approach Details see Standard 420401-03
O.F. = Outside Face
I.F. = Inside Face
For Bicycle Railing and Parapet Railing Details See Sheet 37
*Cost of additional bars to be included in the cost Bridge Approach Pavement Special

PLOT DATE = 10/14/2007
FILE NAME = BR1001
PLOT SCALE = 1/8" = 1'-0"
USER NAME = pcc/jet

REVISIONS	
NAME	DATE

ILLINOIS DEPARTMENT OF TRANSPORTATION

BRIDGE APPROACH PAVEMENT SPECIAL

SCALE: _____
DATE: JUNE 29, 2007

DRAWN BY: JHR
CHECKED BY: RJC