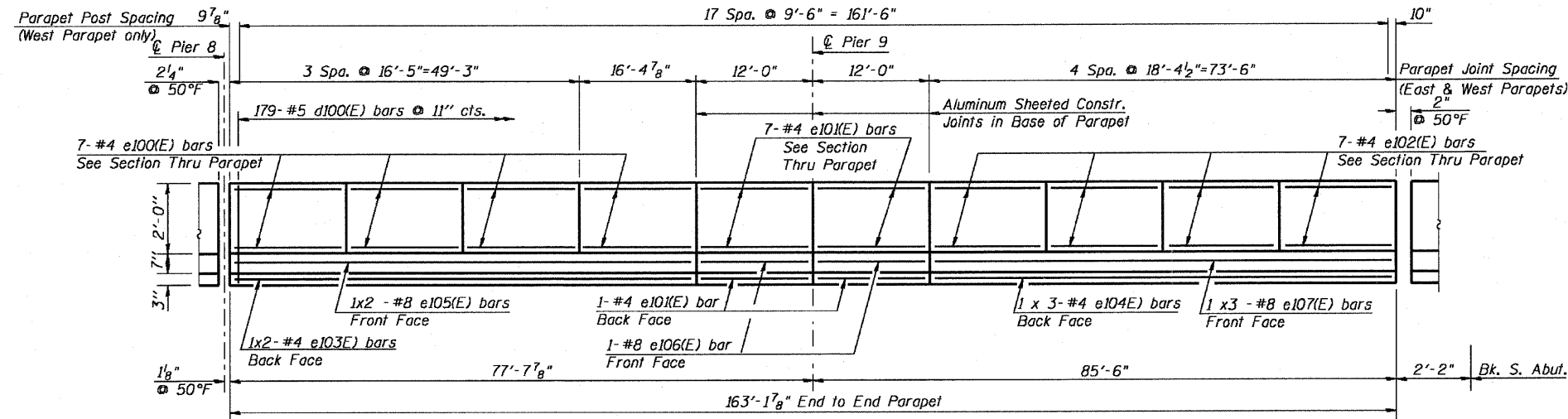


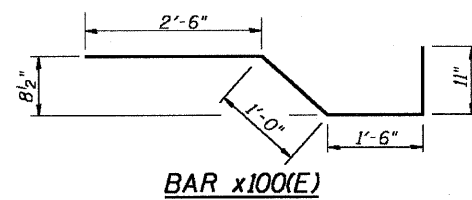
STATE OF ILLINOIS  
DEPARTMENT OF TRANSPORTATION

F.A.P. ROUTE NO.	SECTION	COUNTY	1074 SHEETS	SHEET NO.	SHEET NO. 32
786	109 BR	La Salle	351	232	89 SHEETS
FED. ROAD DIST. NO. 7	ILLINOIS	FED. AID PROJECT-			

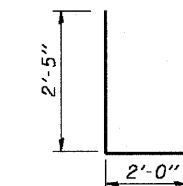
Contract #66607



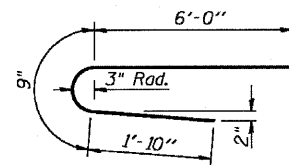
**INSIDE ELEVATION OF PARAPET**  
East Parapet shown (West Parapet similar)



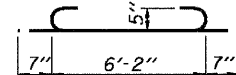
**BAR x100(E)**



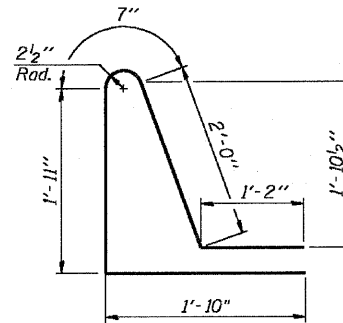
**BAR d102(E)**



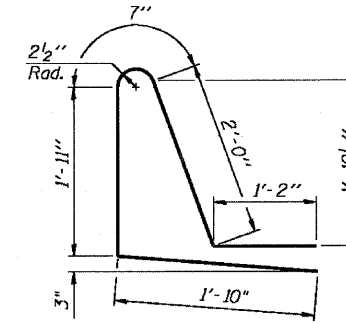
**BAR a107(E)**



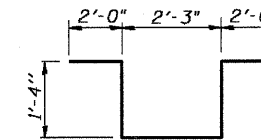
**BAR a105(E)**



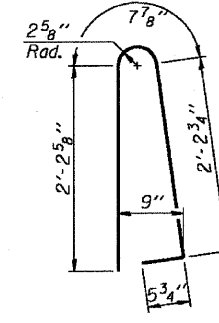
**BAR d104(E)**



**BAR d101(E)**



**BAR d103(E)**



**BAR d100(E)**

**MINIMUM BAR LAPS**

(Parapet)  
#4 bar = 1'-4"  
#8 bar = 3'-5"

DESIGNED	RKM
CHECKED	MTH
DRAWN	AJF
CHECKED	MTH

**Notes:**

1. Work this sheet with Sheets 31 and 33.
2. See Sheet 34 for Parapet Joint Details, Parapet Projection Details/Reinforcement, & Scupper Reinforcement Details.
3. See Sheets 35 & 36 for DS-11 & DS-12 Drainage Scupper Details, respectively.
4. See Sheet 37 for Bicycle Railing Details.
5. Bars indicated thus 20x3-#5 etc. indicates 20 lines of bars with 3 lengths per line.
6. Cut longitudinal reinforcement to clear drainage scuppers.

**SUPERSTRUCTURE  
BILL OF MATERIAL**

Unit 4 (Pier 8 to S. Abut.)

Bar	No.	Size	Length	Shape
a100(E)	245	#5	50'-4"	—
a101(E)	197	#5	49'-8"	—
a102(E)	123	#6	6'-0"	—
a103(E)	8	#6	50'-0"	—
a104(E)	2	#5	44'-6"	—
a105(E)	42	#5	7'-4"	—
a106(E)	32	#5	2'-0"	—
a107(E)	123	#6	8'-7"	—
b100(E)	312	#5	28'-11"	—
b101(E)	50	#6	47'-7"	—
b102(E)	240	#5	34'-4"	—
d100(E)	358	#5	5'-7"	—
d101(E)	179	#5	7'-6"	—
d102(E)	3	#6	4'-5"	—
d103(E)	5	#6	8'-11"	—
d104(E)	179	#5	7'-6"	—
e100(E)	56	#4	16'-1"	—
e101(E)	32	#4	11'-8"	—
e102(E)	56	#4	18'-1"	—
e103(E)	4	#4	33'-4"	—
e104(E)	6	#4	25'-4"	—
e105(E)	4	#8	34'-5"	—
e106(E)	4	#8	11'-8"	—
e107(E)	6	#8	26'-10"	—
x100(E)	84	#5	5'-11"	—
Reinforcement Bars, Epoxy Coated	Pound		56,560	
Concrete Superstructure	Cu. Yd.		262.9	
Bridge Deck Grooving	Sq. Yd.		725	
Protective Coat	Sq. Yd.		898	

**PARAPET DETAILS**

UNIT 4

IL. 170 F.A.P. 786 OVER  
ILLINOIS RIVER AT SENECA

PUBLIC WATERS

LA SALLE COUNTY, SECTION 109 BR

STATION 79+04.42

STRUCTURE NO. 050-0246

