

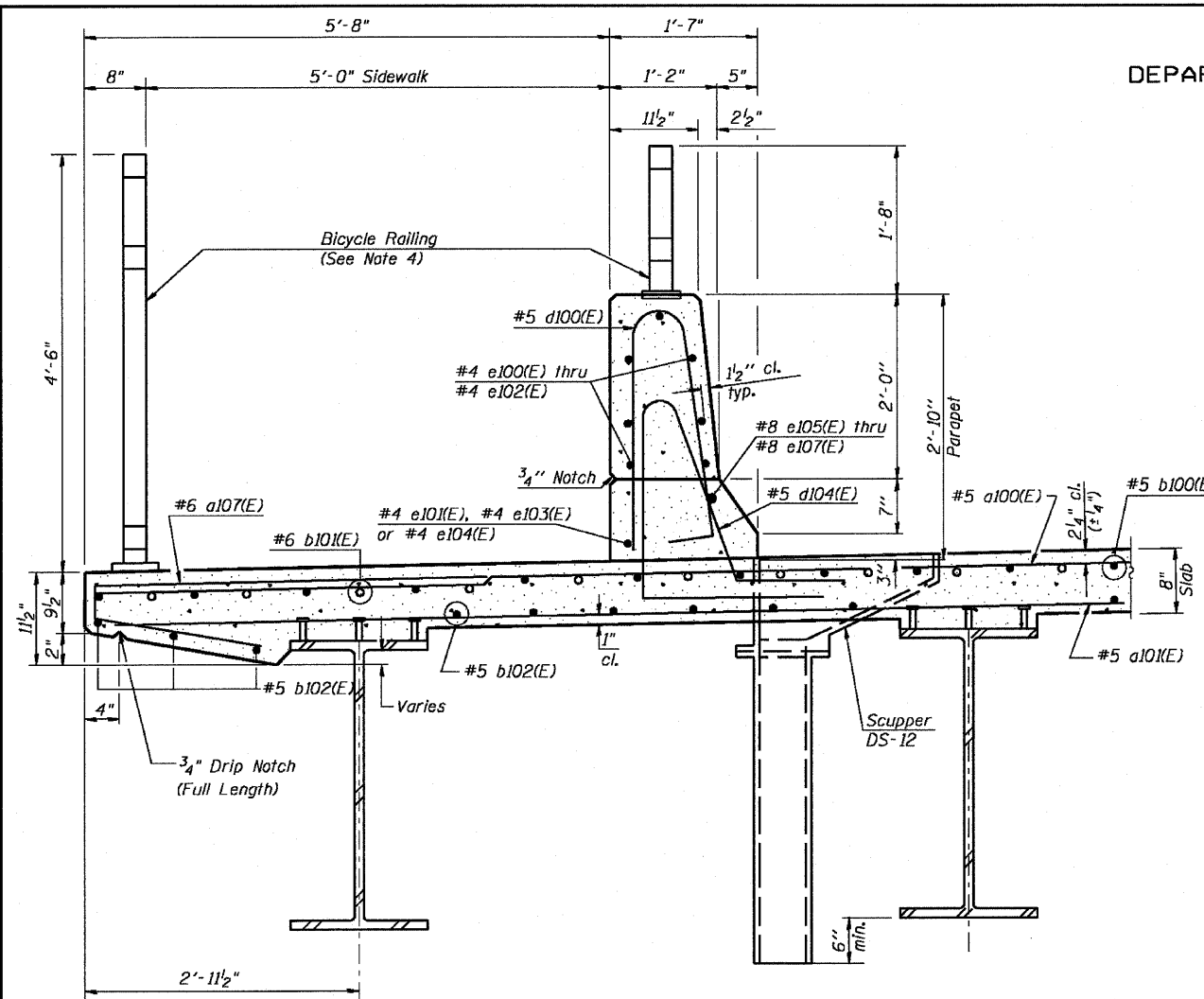
STATE OF ILLINOIS
DEPARTMENT OF TRANSPORTATION

F.A.P. ROUTE NO.	SECTION	COUNTY	SHEET NO.	SHEET NO.
786	109 BR	La Salle	351	233
FED. ROAD DIST. NO. 7	ILLINOIS	FED. AID PROJECT		

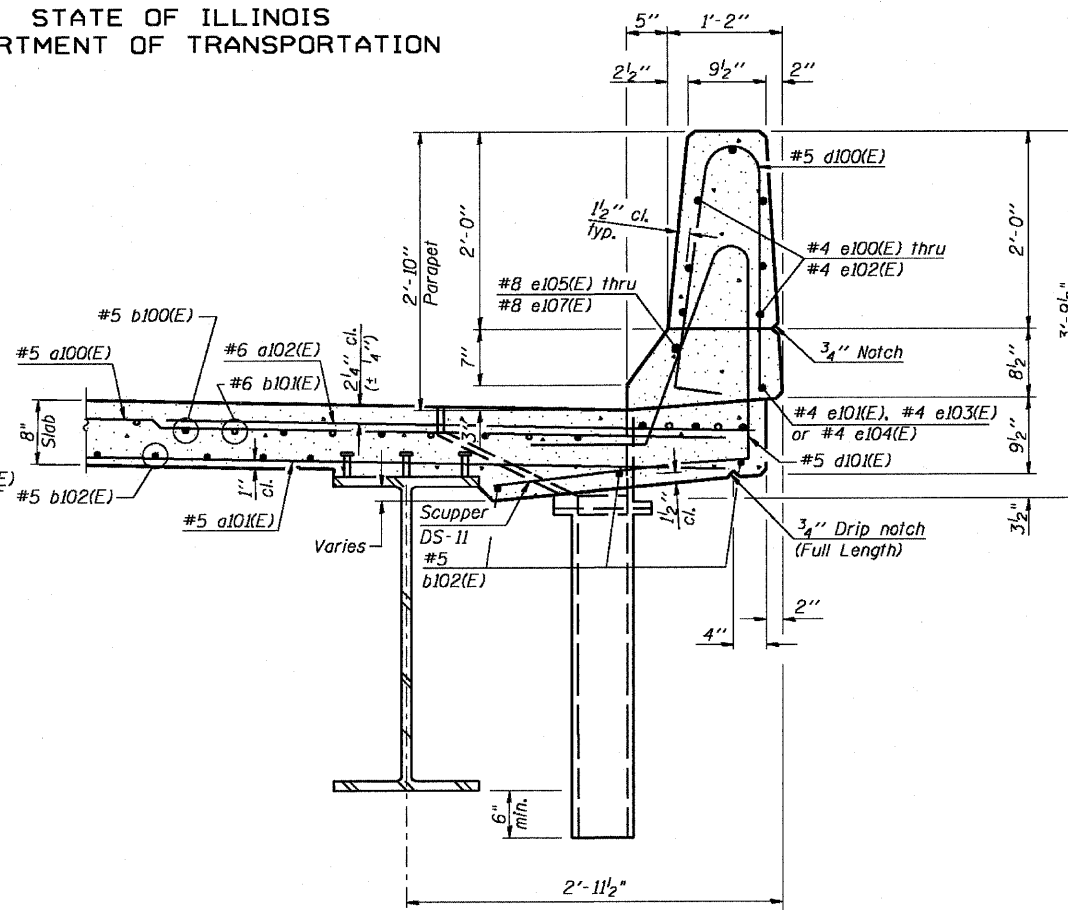
Contract #66607

Notes:

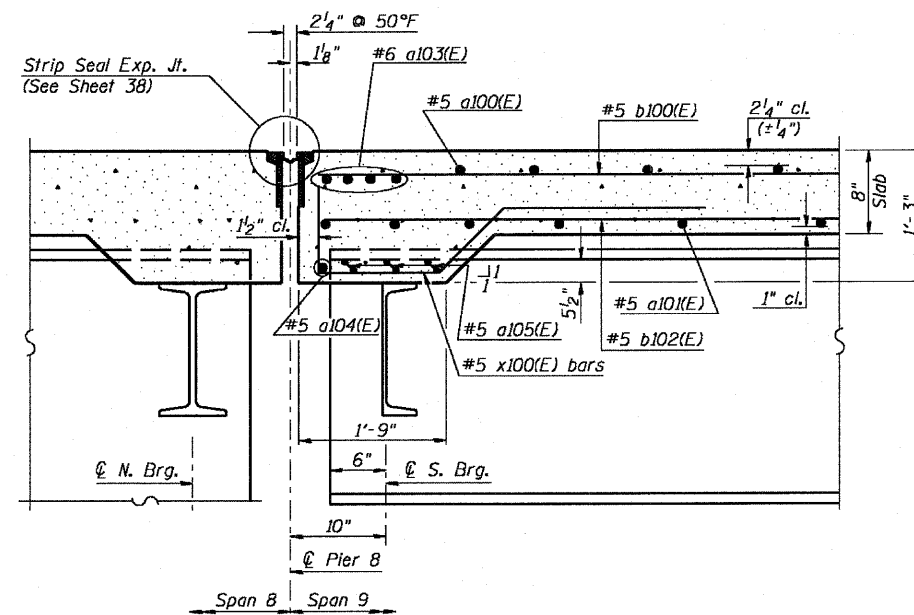
1. Work this sheet with Sheets 31 and 32.
2. See Sheet 34 for Parapet Joint Details, Parapet Projection Details/Reinforcement, & Scupper Reinforcement Details.
3. See Sheets 35 & 36 for DS-11 & DS-12 Drainage Scupper Details, respectively.
4. See Sheet 37 for Bicycle Railing Details.
5. Bars indicated thus 20x3-#5 etc. indicates 20 lines of bars with 3 lengths per line.
6. Cut longitudinal reinforcement to clear drainage scuppers.



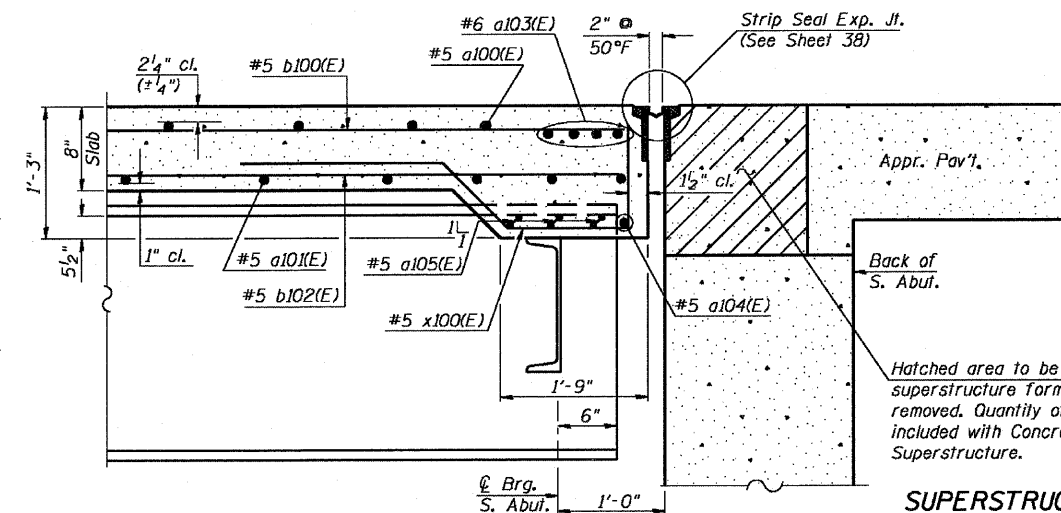
SECTION THRU WEST PARAPET



SECTION THRU EAST PARAPET



SECTION A-A



SECTION B-B

SUPERSTRUCTURE DETAILS

UNIT 4

IL. 170 F.A.P. 786 OVER
ILLINOIS RIVER AT SENECA
PUBLIC WATERS

LA SALLE COUNTY, SECTION 109 BR
STATION 79+04.42
STRUCTURE NO. 050-0246

DESIGNED	RKM
CHECKED	MTH
DRAWN	AJF
CHECKED	MTH

Note:
Tilt hook of a105(E) bars to fit.

E LIN ENGINEERING, LTD.
Consulting Engineers
Chattanooga, Illinois