

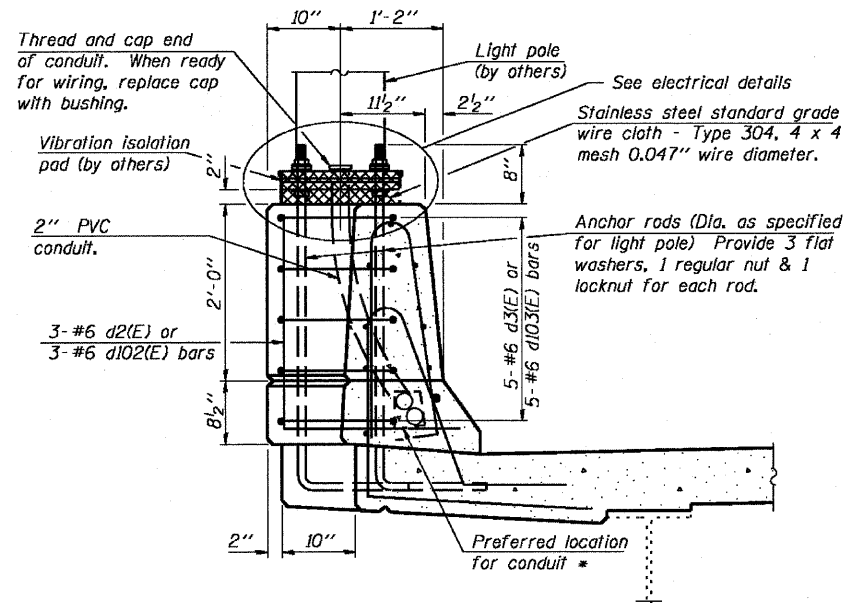
STATE OF ILLINOIS
DEPARTMENT OF TRANSPORTATION



F.A.P. ROUTE NO.	SECTION	COUNTY	TOTAL SHEETS	SHEET NO.
786	109 BR	La Salle	351	234
FED. ROAD DIST. NO. 7	ILLINOIS	FED. AID PROJECT-		

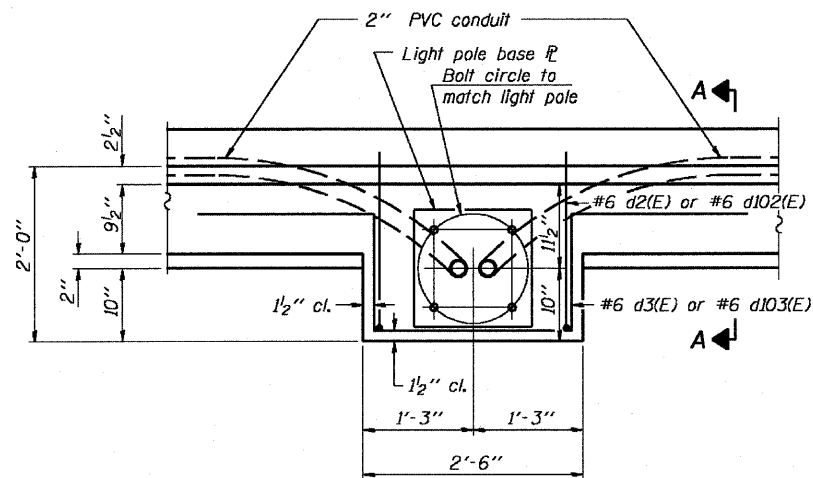
SHEET NO. 34
89 SHEETS

Contract # 66607



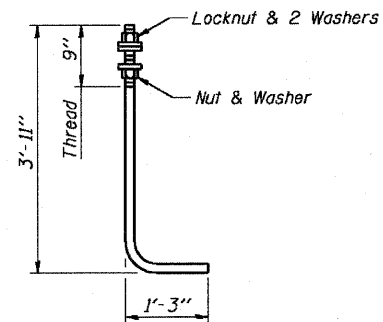
SECTION A-A

* All conduit encased in a parapet shall have a min. clearance of 1" from all reinforcement.



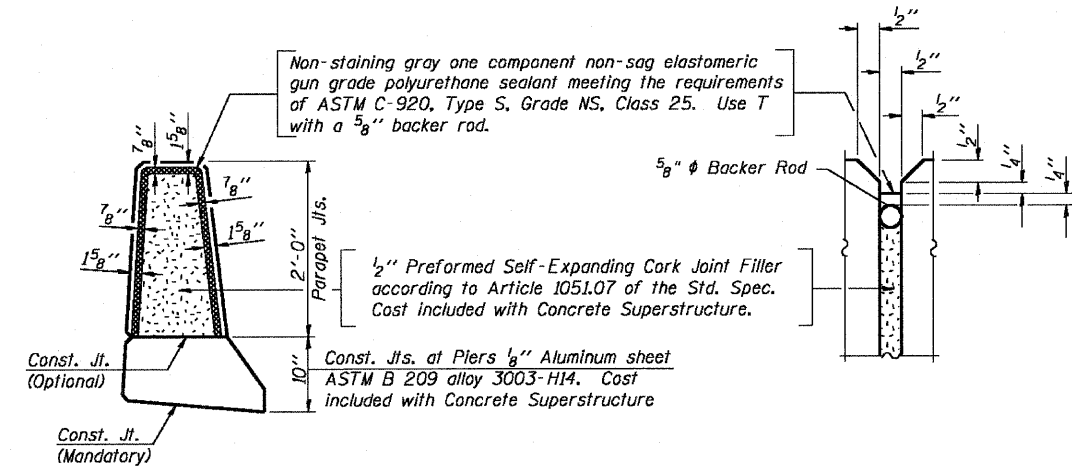
PLAN

Note:
Cost of anchor rods and conduit is included with Concrete Superstructure.

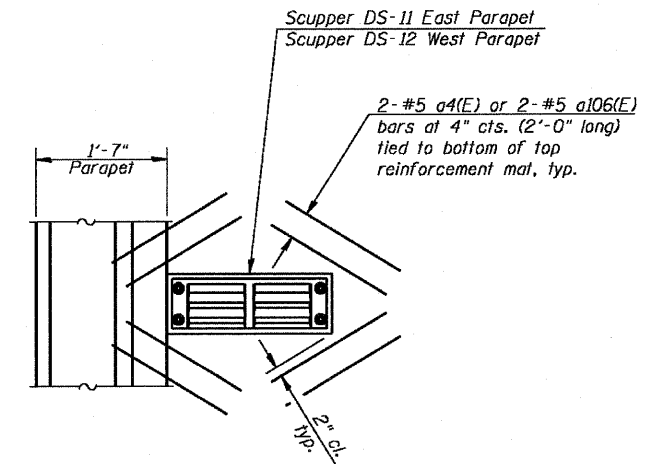


ANCHOR ROD

Diameter as specified for light poles.
(ASTM F 1554 Grade 105)



PARAPET JOINT DETAILS



SCUPPER REINFORCEMENT DETAIL

DESIGNED	- CLS
CHECKED	- RJC
DRAWN	- JHR
CHECKED	- RJC

GENERAL SUPERSTRUCTURE DETAILS
IL. 170 F.A.P. 786 OVER
ILLINOIS RIVER AT SENECA
PUBLIC WATERS
LA SALLE COUNTY, SECTION 109 BR
STATION 79+04.42
STRUCTURE NO. 050-0246