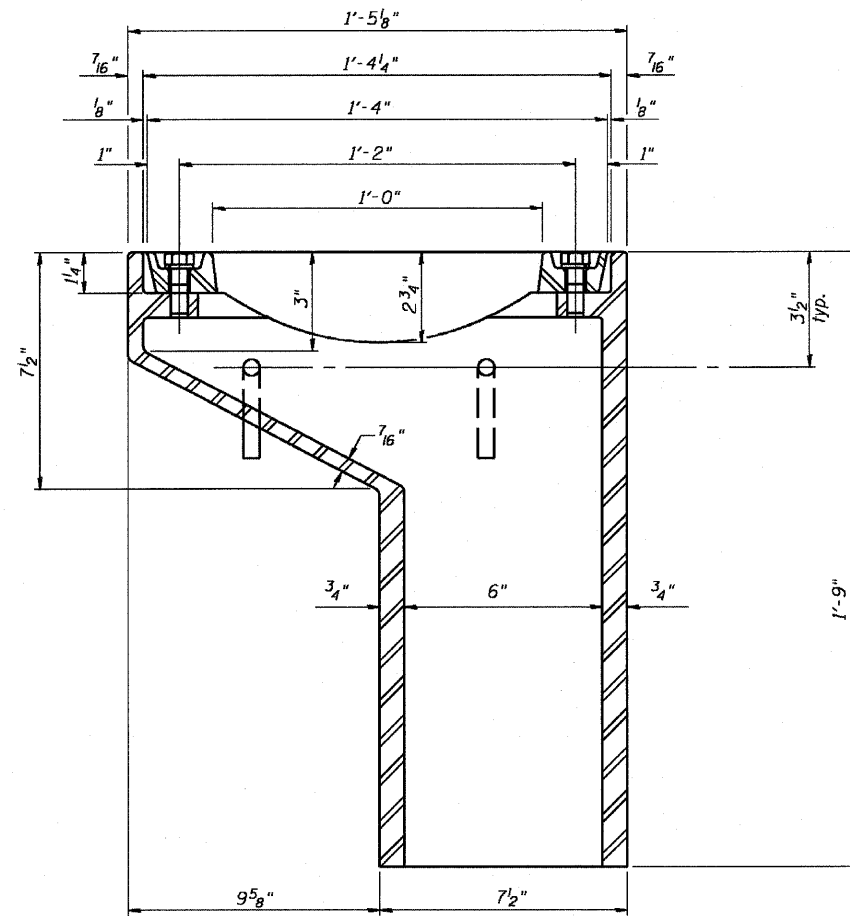
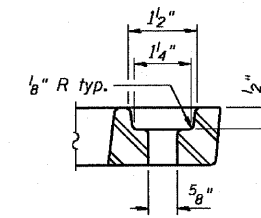
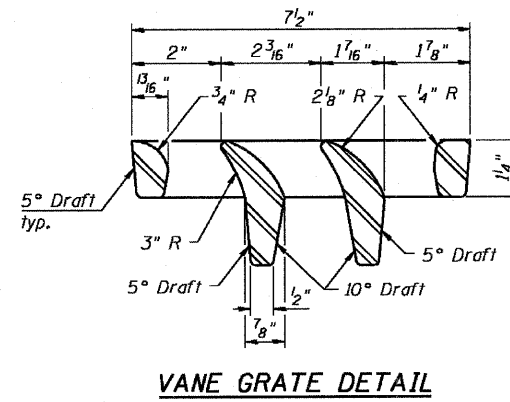
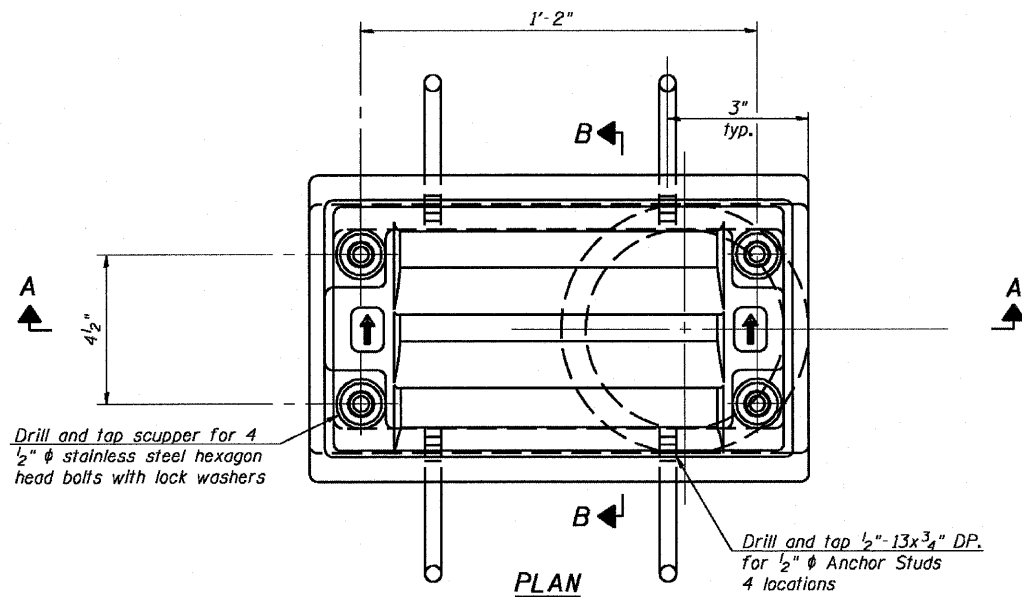


STATE OF ILLINOIS
DEPARTMENT OF TRANSPORTATION

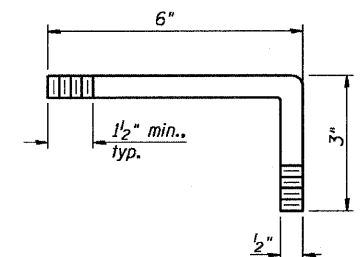
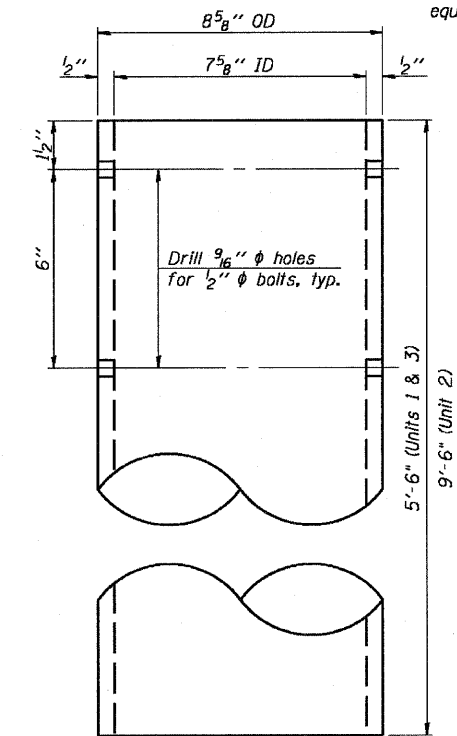
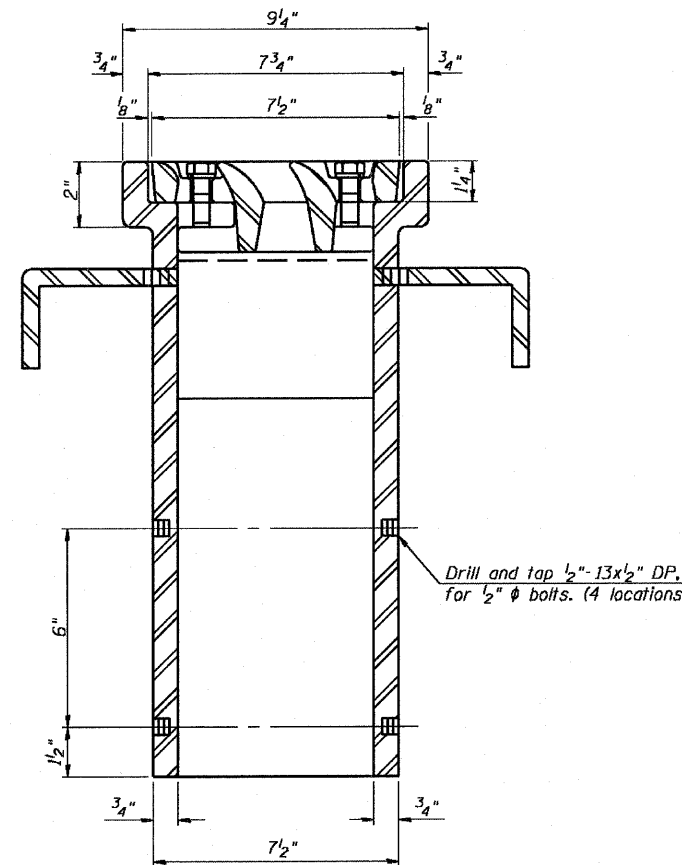


F.A.P. ROUTE NO.	SECTION	COUNTY	TOTAL SHEETS	SHEET NO.	SHEET NO. 35
786	109 BR	La Salle	351	235	89 SHEETS
FED. ROAD DIST. NO. 7	ILLINOIS	FED. AID PROJECT-			

Contract # 66607



Locate scuppers flush with inside face of parapets for Units 1, 3, & 4. See Sheet 26 for the scupper embedment location relative to parapet for Unit 2.



ANCHOR STUD DETAIL

BILL OF MATERIAL

ITEM	UNIT	QUANTITY
Drainage Scupper, DS-II	Each	10

DESIGNED - CLS
CHECKED - RJC
DRAWN - JHR
CHECKED - RJC

DRAINAGE SCUPPER DS-II
IL. 170 F.A.P. 786 OVER
ILLINOIS RIVER AT SENECA
PUBLIC WATERS
LA SALLE COUNTY, SECTION 109 BR
STATION 79+04.42
STRUCTURE NO. 050-0246