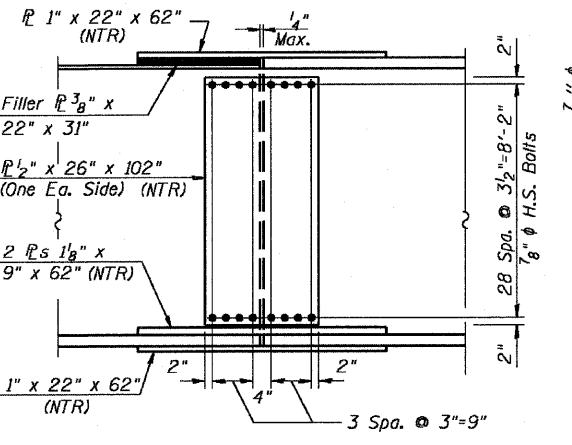
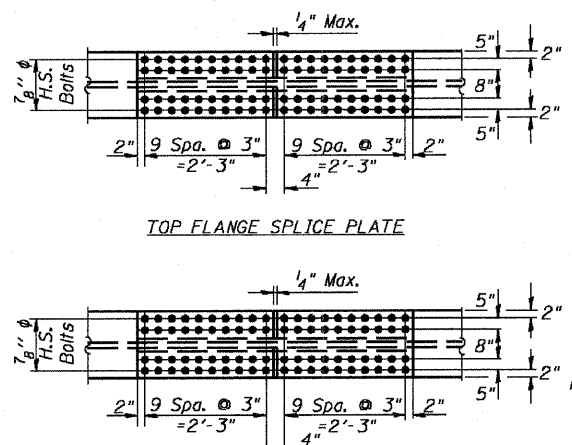
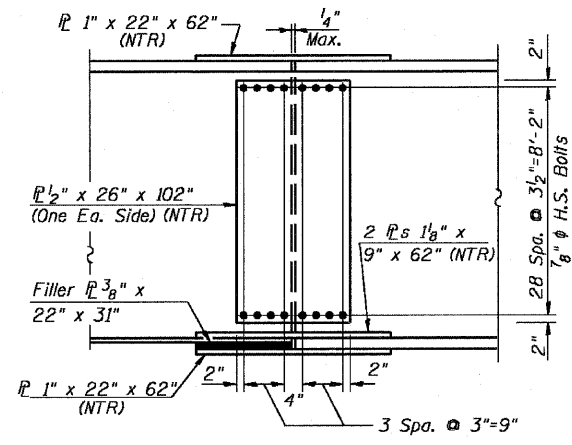
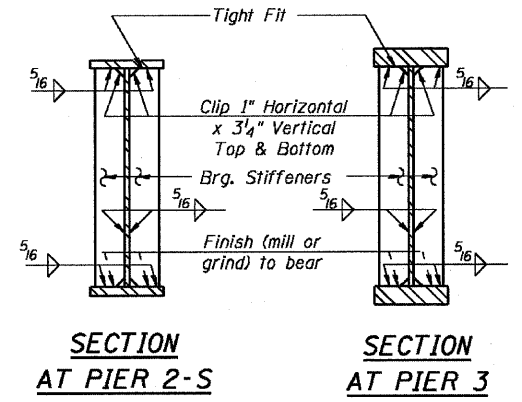
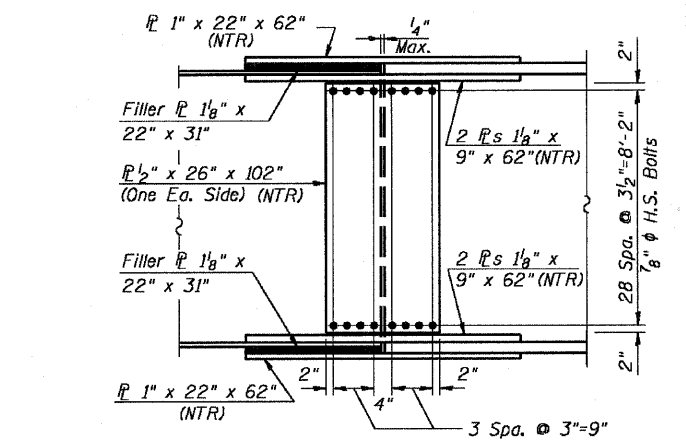
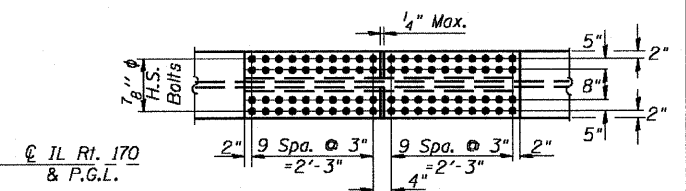
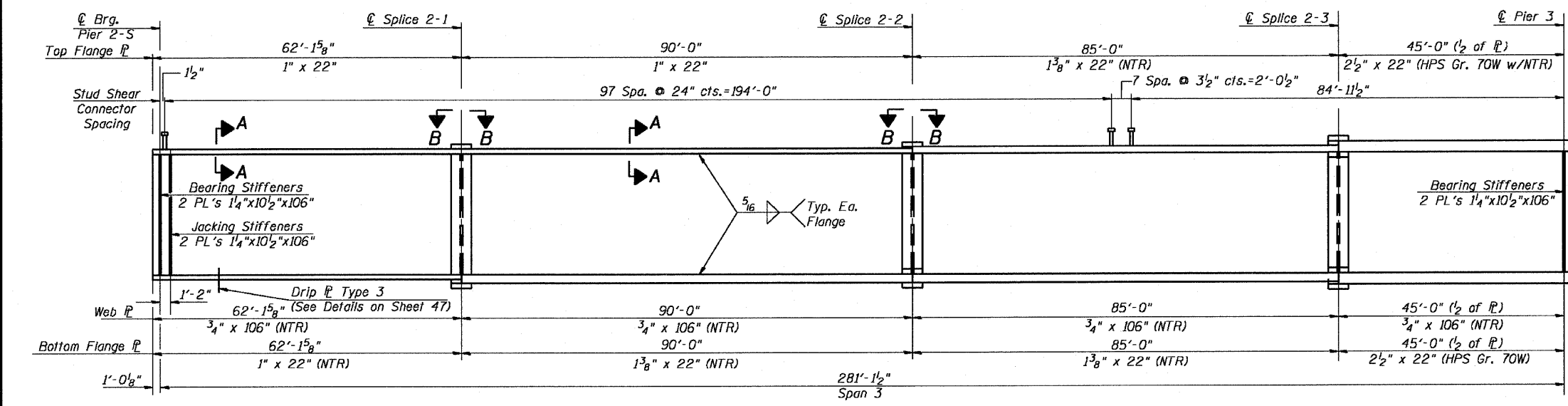
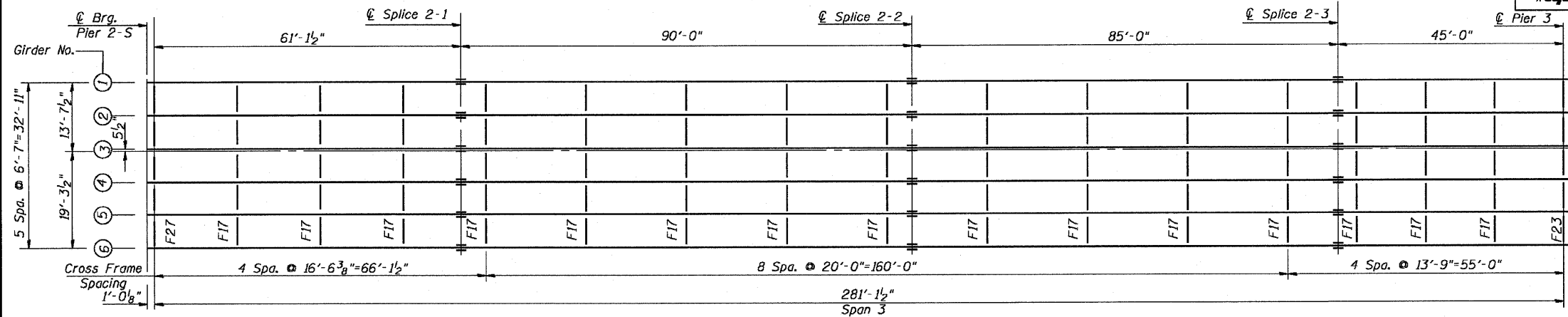


STATE OF ILLINOIS
DEPARTMENT OF TRANSPORTATION



F.A.P. ROUTE NO.	SECTION	COUNTY	STATION	SHEET	SHEET NO. 45
786	109 BR	La Salle	351	245	89 SHEETS
Contract # 66607					



DESIGNED - CLS
CHECKED - OPY
DRAWN - JHR
CHECKED - RJC

- Notes:
1. Work this sheet with Sheets 46, 47, & 48.
 2. See Sheet 47 for Section A-A, View B-B, and corresponding notes.

FRAMING PLAN UNIT 2 (1 OF 3)

IL. 170 F.A.P. 786 OVER ILLINOIS RIVER AT SENECA PUBLIC WATERS

LA SALLE COUNTY, SECTION 109 BR STATION 79+04.42

STRUCTURE NO. 050-0246