

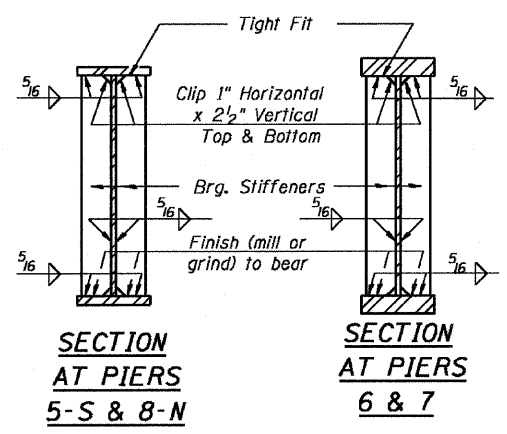
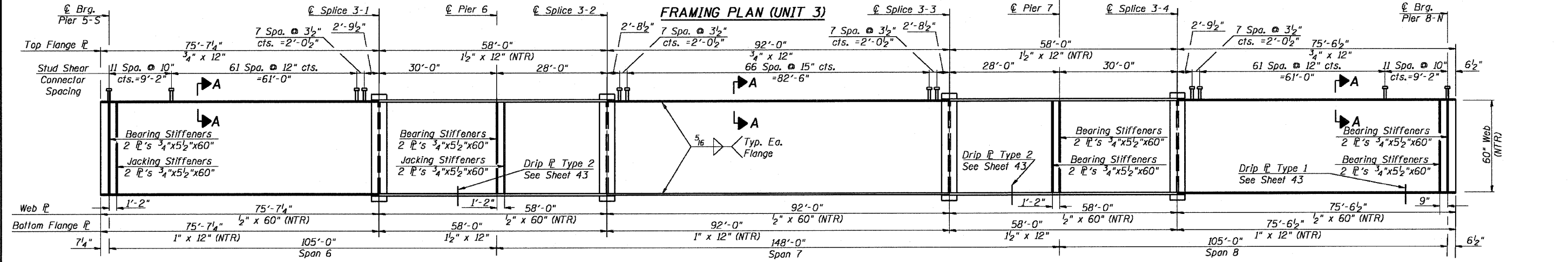
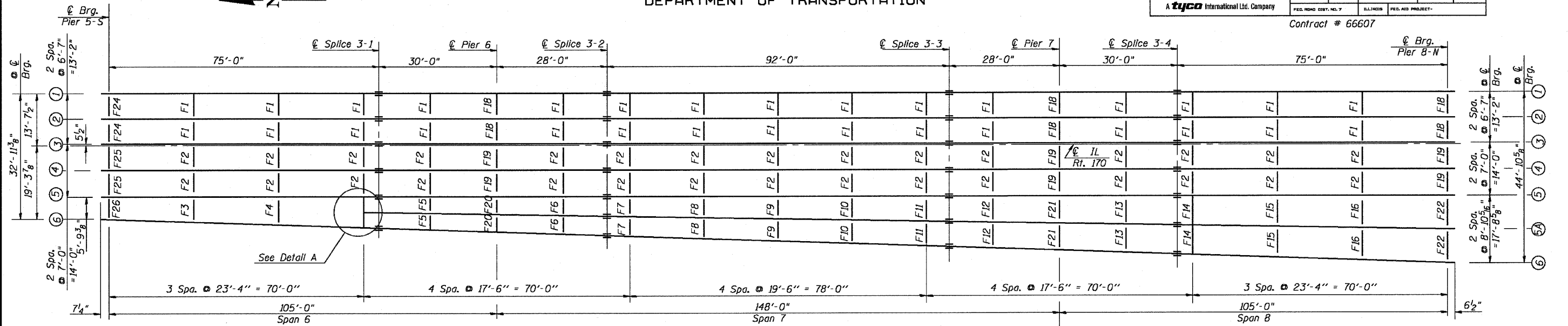
STATE OF ILLINOIS
DEPARTMENT OF TRANSPORTATION



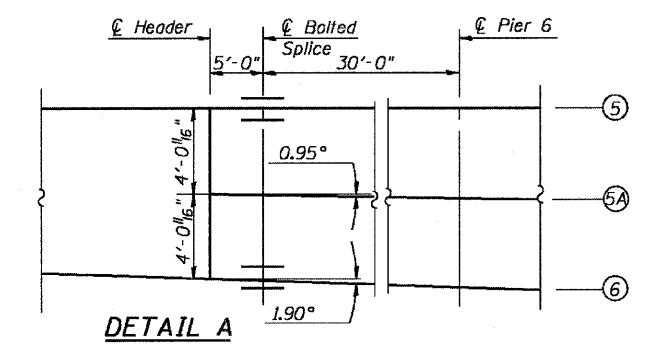
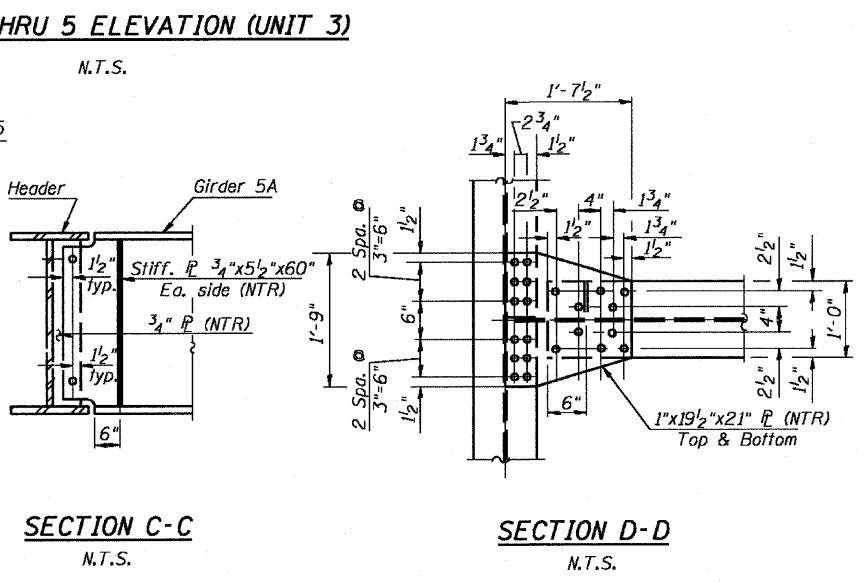
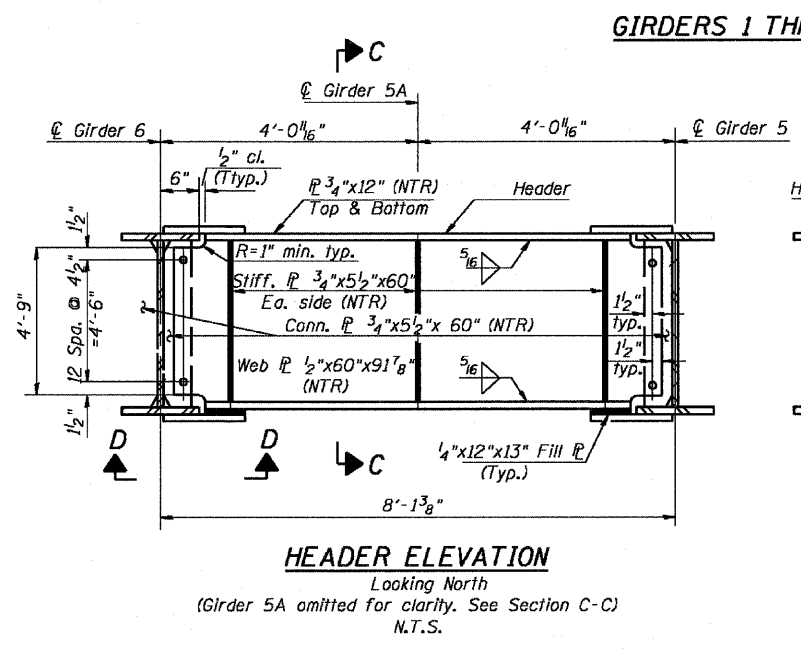
| | | | | |
|-----------------------|----------|-------------------|--------------|-----------|
| F.A.P. ROUTE NO. | SECTION | COUNTY | TOTAL SHEETS | SHEET NO. |
| 786 | 109 BR | La Salle | 351 | 249 |
| FED. ROAD DIST. NO. 7 | ILLINOIS | FED. AID PROJECT- | | |

SHEET NO. 49
89 SHEETS

Contract # 66607



| |
|----------------|
| DESIGNED - CLS |
| CHECKED - OPY |
| DRAWN - JHR |
| CHECKED - RJC |



FRAMING PLAN
UNIT 3 (1 of 2)
IL. 170 F.A.P. 786 OVER
ILLINOIS RIVER AT SENECA
PUBLIC WATERS
LA SALLE COUNTY, SECTION 109 BR
STATION 79+04.42
STRUCTURE NO. 050-0246