

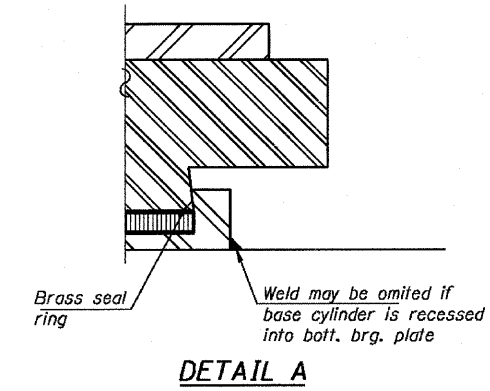
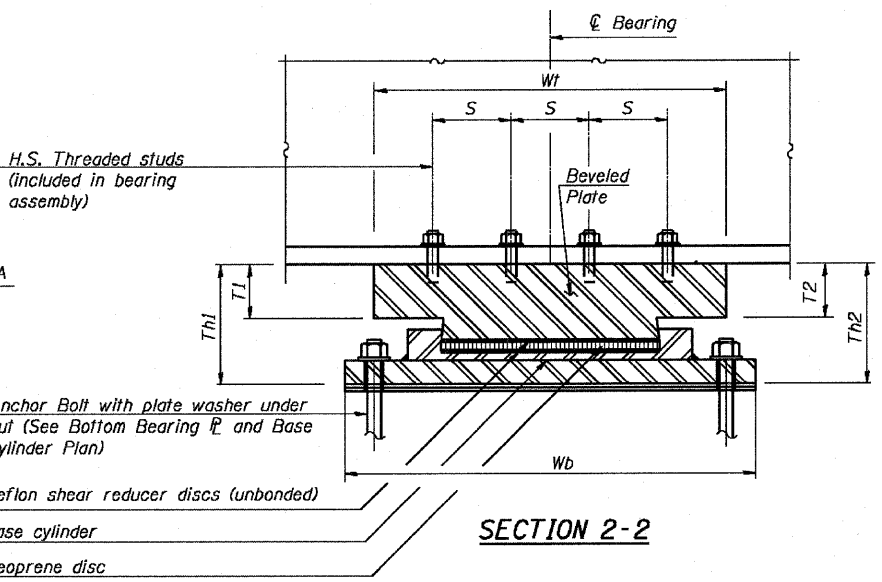
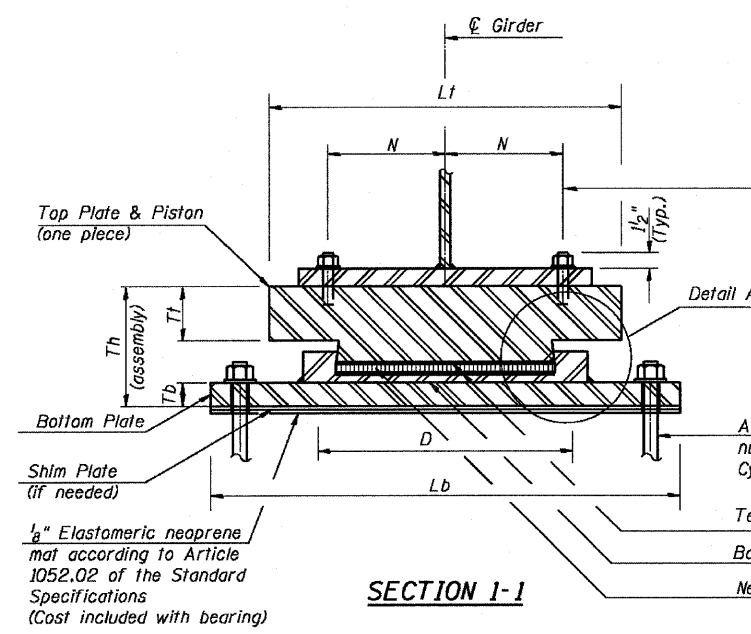
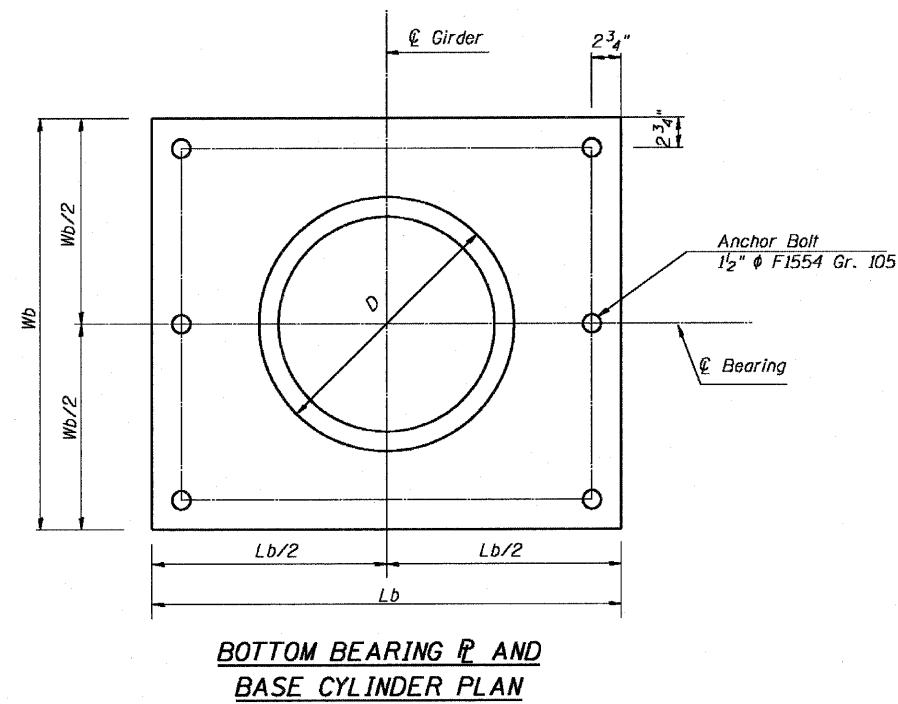
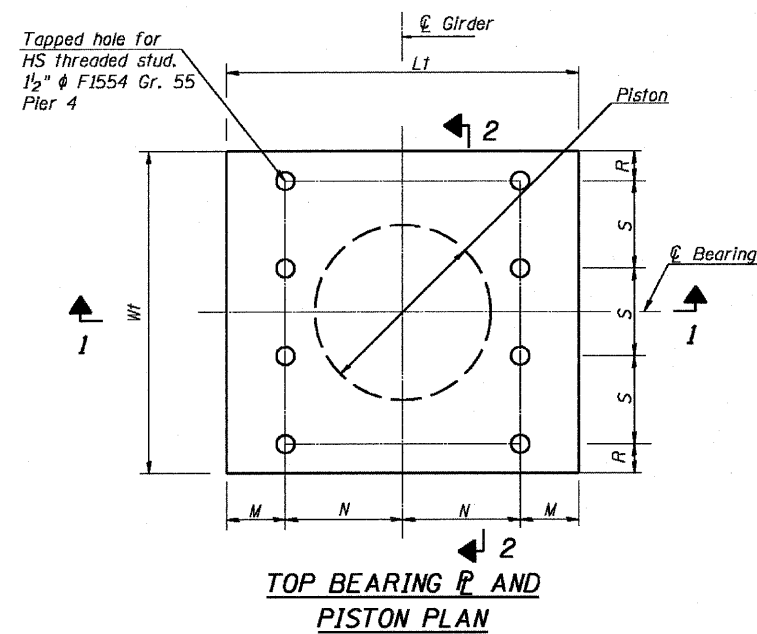
STATE OF ILLINOIS
DEPARTMENT OF TRANSPORTATION



F.A.P. ROUTE NO.	SECTION	COUNTY	TOTAL SHEETS	SHEET NO.
786	109 BR	La Salle	351	260
FED. ROAD DIST. NO. 7	ILLINOIS	FED. AID PROJECT		

SHEET NO. 60
89 SHEETS

Contract # 66607



BILL OF MATERIAL

Item	Unit	Total
High Load Multi-Rotation Bearings, Fixed 800K	Each	6

GUIDE FIXED BEARING DIMENSION

Brg. Location	Vertical Design Load	Lateral Design Load	Bottom Bearing Plate			Top Bearing Plate										
			Tb in.	Lb in.	Wb in.	Top Plate		Lt in.	Wt in.	M in.	N in.	R in.	S in.	Th1 in.	Th2 in.	D in.
						Tt1 in.	Tt2 in.									
Pier 4	800	310	2	38	30	4	3 1/2	27	27	4 1/2	9	3	7	11	10 1/2	25

DESIGNED - CLS
CHECKED - DEV
DRAWN - JHR
CHECKED - RJC

FIXED POT BEARING ASSEMBLIES
IL. 170 F.A.P. 786 OVER
ILLINOIS RIVER AT SENECA
PUBLIC WATERS
LA SALLE COUNTY, SECTION 109 BR
STATION 79+04.42
STRUCTURE NO. 050-0246