

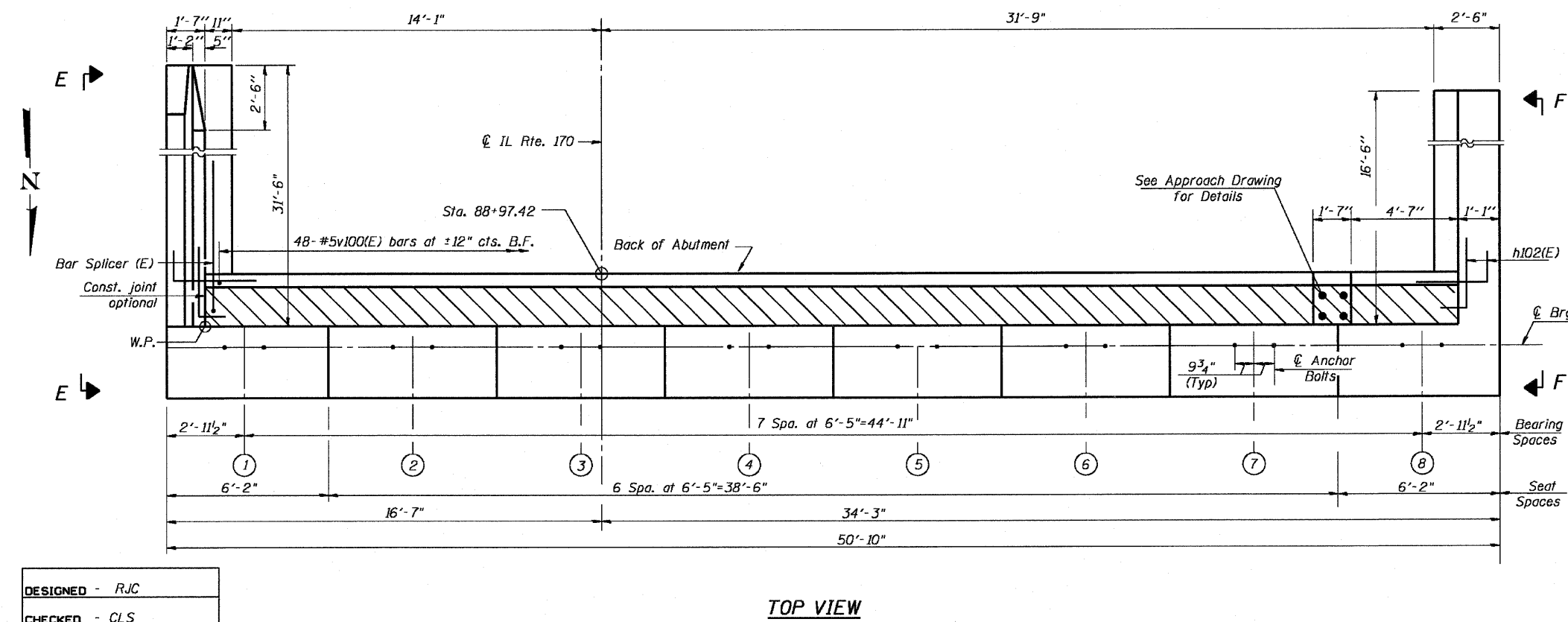
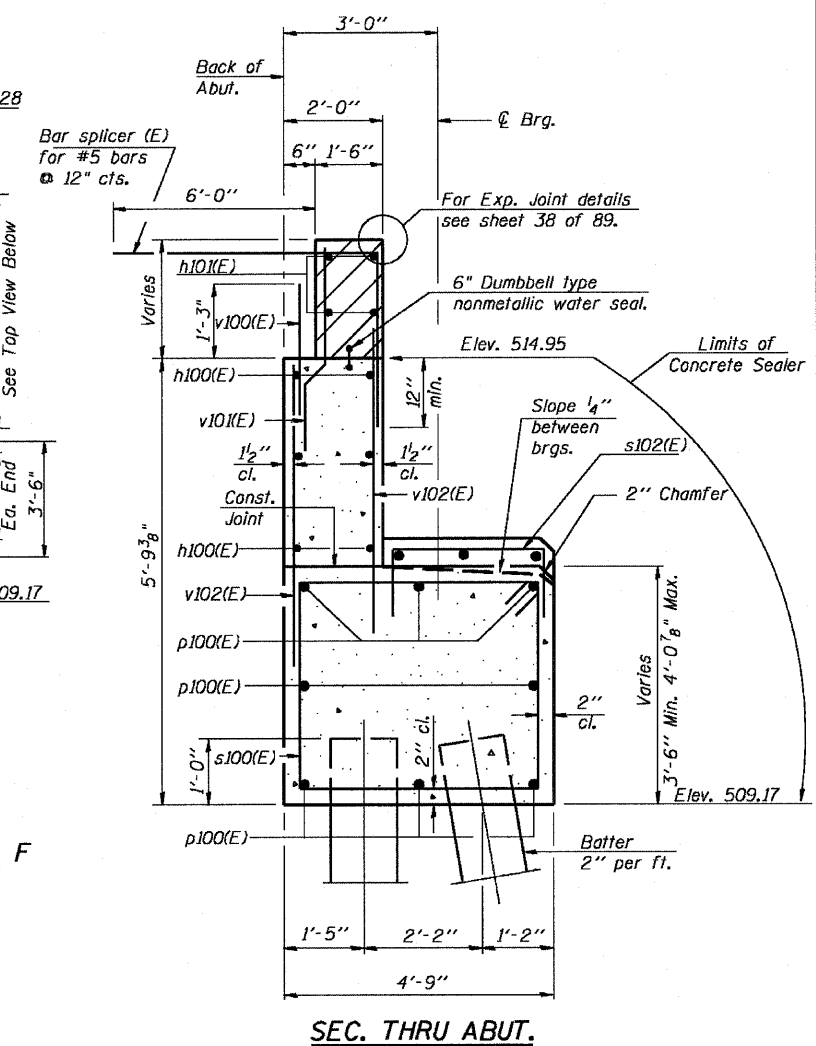
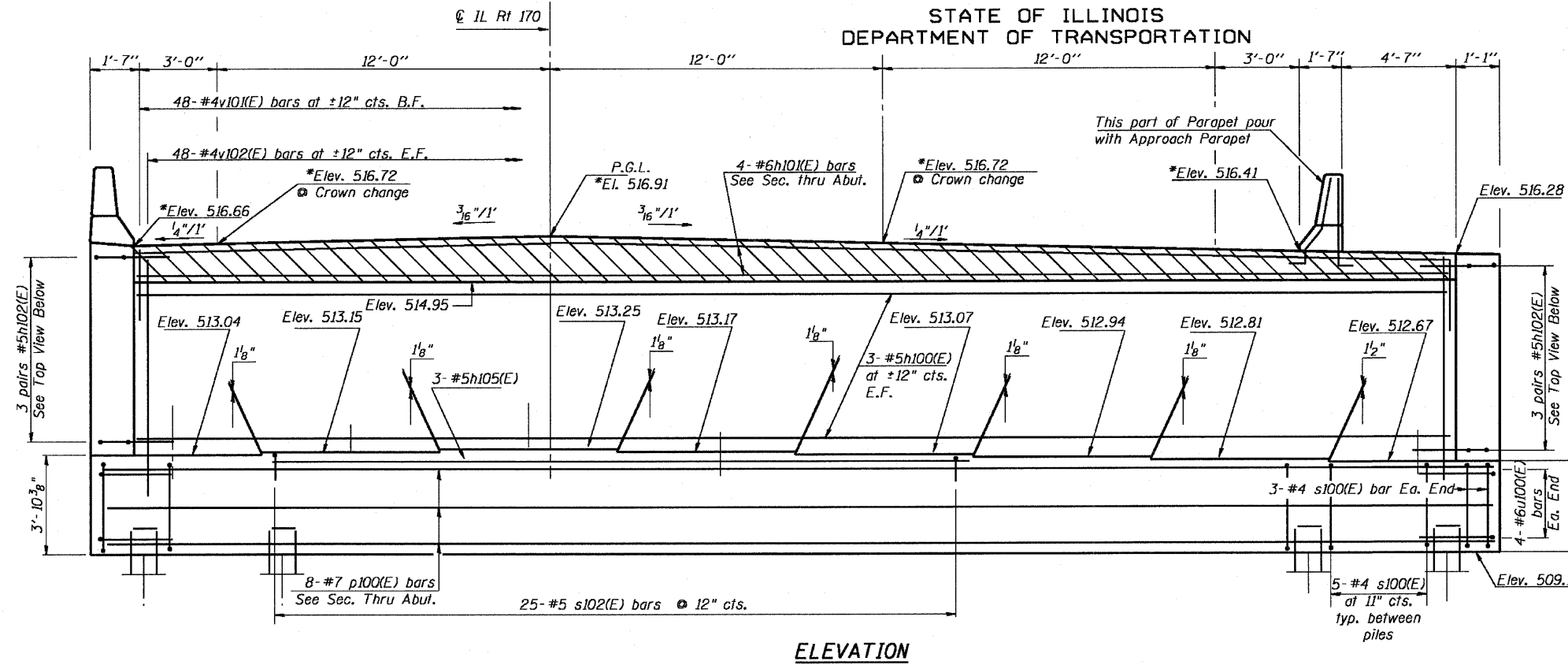
STATE OF ILLINOIS
DEPARTMENT OF TRANSPORTATION



F.A.P. ROUTE NO.	SECTION	COUNTY	TOTAL SHEETS	SHEET NO.
786	109 BR	La Salle	351	264
FED. ROAD DIST. NO. 7	ILLINOIS	FED. AID PROJECT		

SHEET NO. 64
89 SHEETS

Contract # 66607



DESIGNED - RJC
CHECKED - CLS
DRAWN - JHR
CHECKED - RJC

Notes:
 Hatched area to be poured after superstructure forms have been removed. Quantity of concrete included with Concrete Superstructure. Space reinforcement in cap to miss anchor bolts. Pour steps monolithically with cap. Quantity of concrete in parapets included with Concrete Superstructure. Encase Concrete Piles Per Sheet 81.
 * Elevations are at F.F. of Abutment Backwall.
 B.F. = Back Face
 E.F. = Each Face
 F.F. = Front Face
 Work this sheet with Sheets 65 and 66.

**SOUTH ABUTMENT
 IL. 170 F.A.P. 786 OVER
 ILLINOIS RIVER AT SENECA
 PUBLIC WATERS
 LA SALLE COUNTY, SECTION 109 BR
 STATION 79+04.42
 STRUCTURE NO. 050-0246**