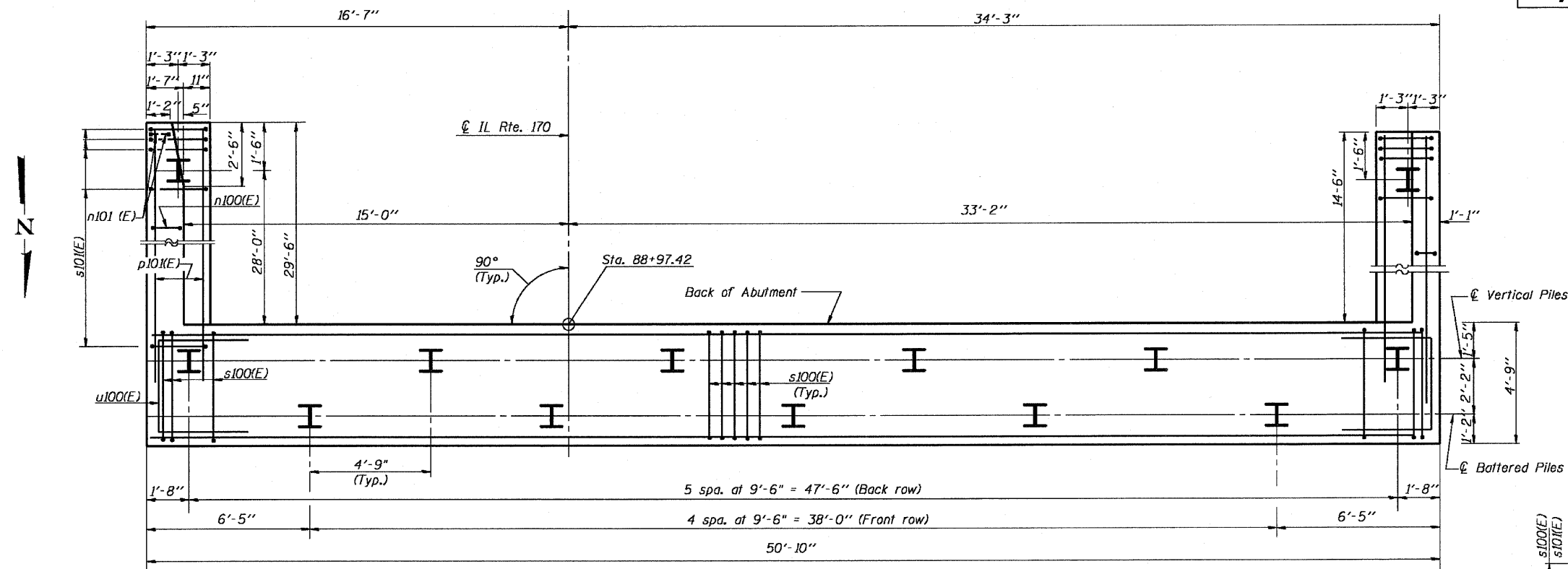
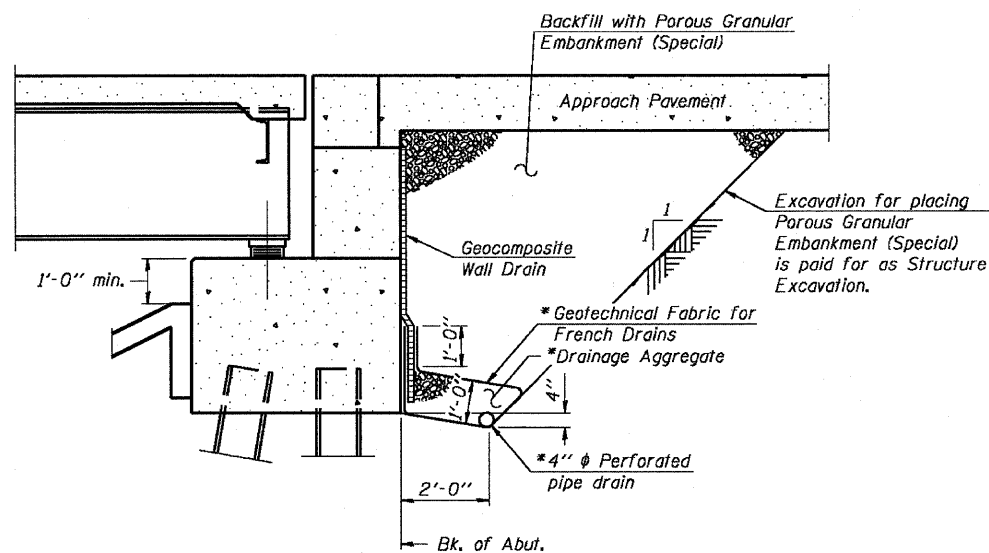


Contract # 66607



PLAN-PILE CAP



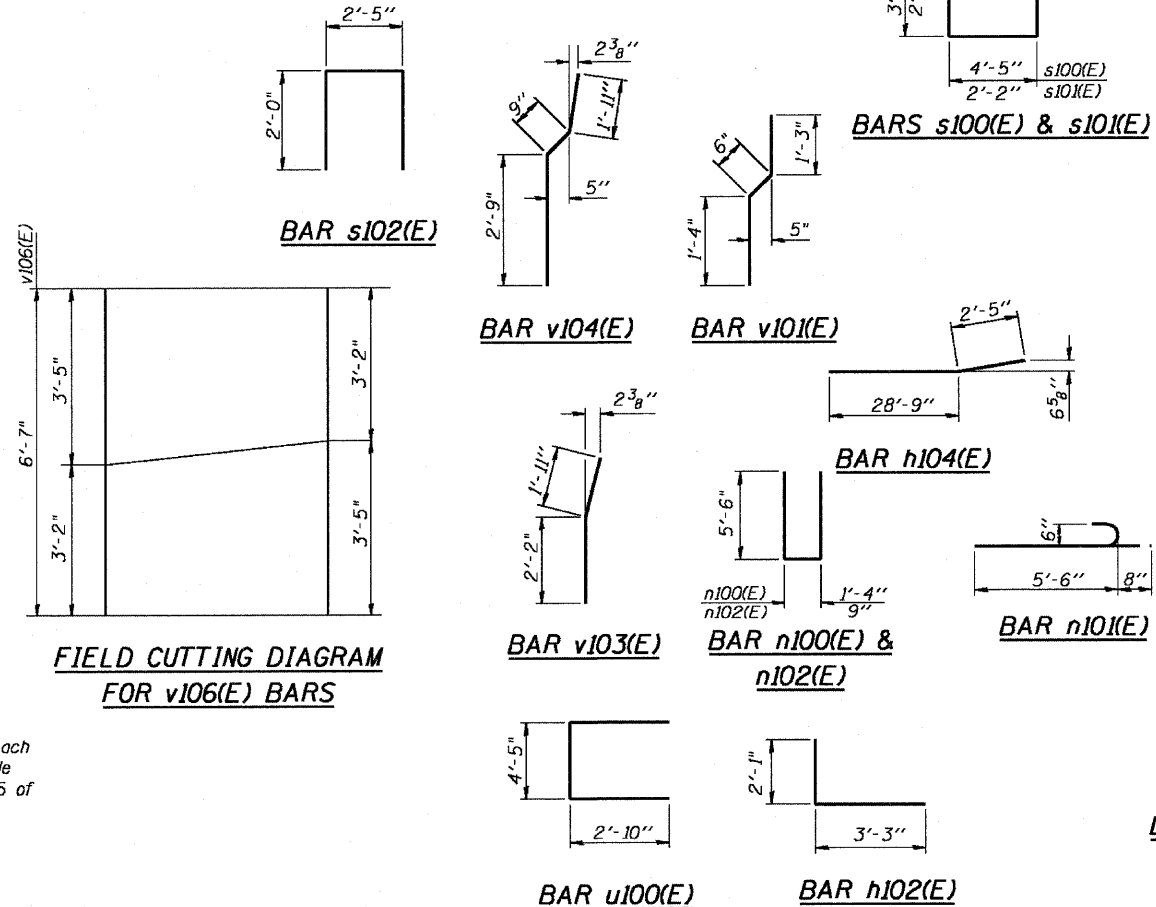
SECTION THRU ABUTMENT

(Showing Backfill and Drainage System)

*Included in the cost of Pipe Underdrains for Structures.

Note:
All drainage system components shall extend to 2'-0" from the end of each wingwall except on outlet pipe shall extend until intersecting with the side slope. The pipes shall drain into concrete headwalls. (See Article 601.05 of the Standard Specifications and Highway Standard 601101).

DESIGNED - RJC
CHECKED - CLS
DRAWN - JHR
CHECKED - RJC



FIELD CUTTING DIAGRAM FOR v106(E) BARS

**SOUTH ABUTMENT
BILL OF MATERIAL**

Bar	No.	Size	Length	Shape
h100(E)	6	#5	47'-10"	—
h101(E)	4	#6	47'-10"	—
h102(E)	12	#5	5'-4"	└
h103(E)	10	#4	31'-2"	—
h104(E)	6	#4	31'-2"	—
h105(E)	3	#5	25'-4"	—
h106(E)	10	#5	16'-2"	—
n100(E)	29	#6	12'-4"	└
n101(E)	6	#6	6'-2"	└
n102(E)	17	#6	11'-9"	└
p100(E)	8	#7	50'-6"	—
p101(E)	6	#7	32'-6"	—
p102(E)	6	#7	17'-6"	—
s100(E)	56	#4	15'-11"	└
s101(E)	49	#4	9'-5"	└
s102(E)	25	#5	6'-5"	└
u100(E)	8	#6	10'-1"	└
v100(E)	48	#5	3'-0"	—
v101(E)	48	#4	3'-1"	—
v102(E)	48	#4	5'-7"	—
v103(E)	3	#6	5'-1"	—
v104(E)	29	#6	6'-1"	—
v105(E)	32	#6	6'-1"	—
v106(E)	17	#6	6'-7"	—
Structure Excavation	Cu. Yd.		210	
Concrete Structures	Cu. Yd.		64	
Reinforcement Bars, Epoxy Coated	Pound		5940	
Furnishing Steel Piles HP 12x74	Foot		629	
Driving Piles	Foot		629	
Test Piles	Each		1	
Porous Granular Embankment (Special)	Cu. Yd.		124	
Pipe Underdrains for Structure	L.F.		128	
Geocomposite Wall Drain	Sq. Ft.		631	
Pile Shoes	EA.		13	
Bar splicers (E) for #5 bars	EA.		48	

Reinforcement bars designated (E) shall be epoxy coated.

PILE DATA

Type: HP12x74 with Pile Shoes
Nominal Req'd Bearing = 589K
Allowable Resistance Available = 156K
Est. Length: 52
No. Required: 12
No. Test Piles: 1

SOUTH ABUTMENT DETAILS 1

**IL. 170 F.A.P. 786 OVER
ILLINOIS RIVER AT SENECA
PUBLIC WATERS
LA SALLE COUNTY, SECTION 109 BR
STATION 79+04.42
STRUCTURE NO. 050-0246**