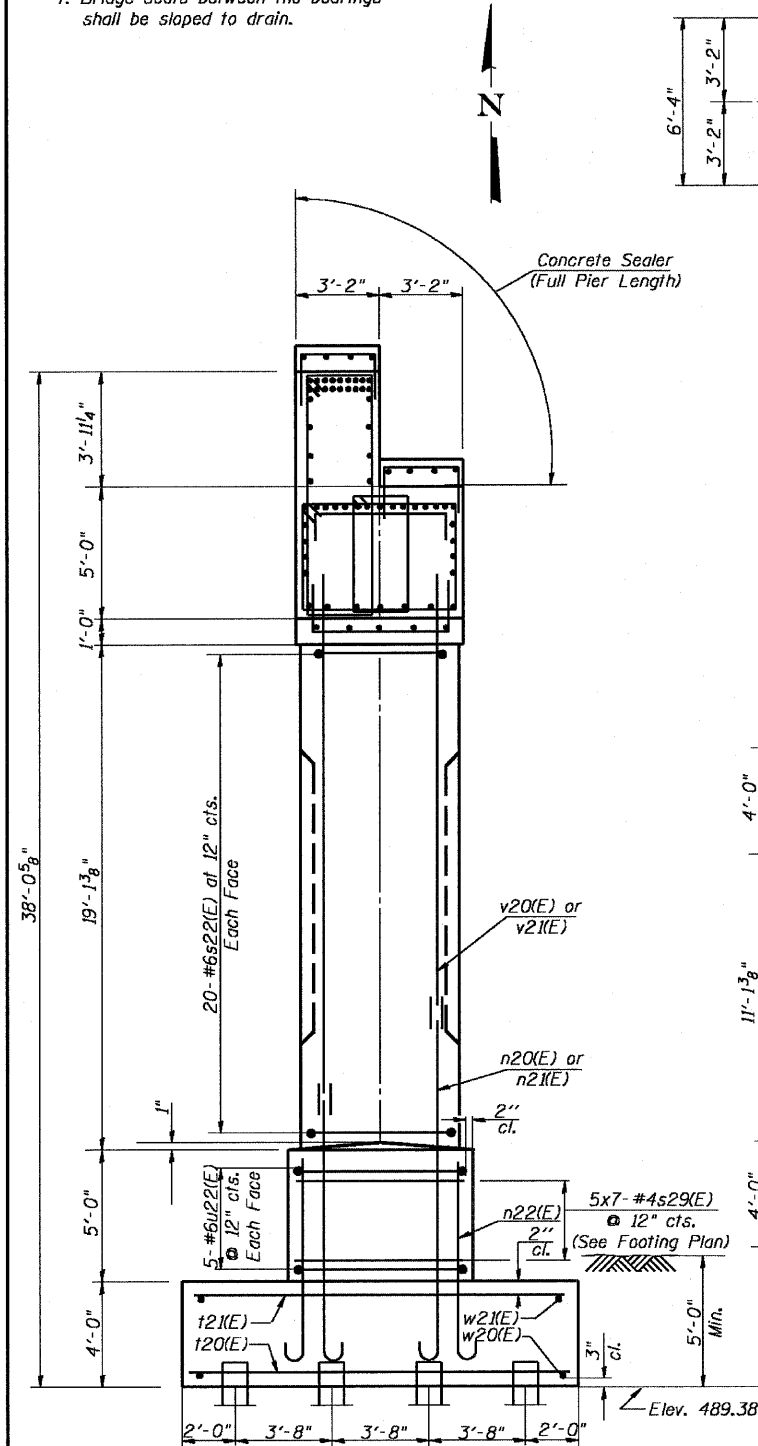
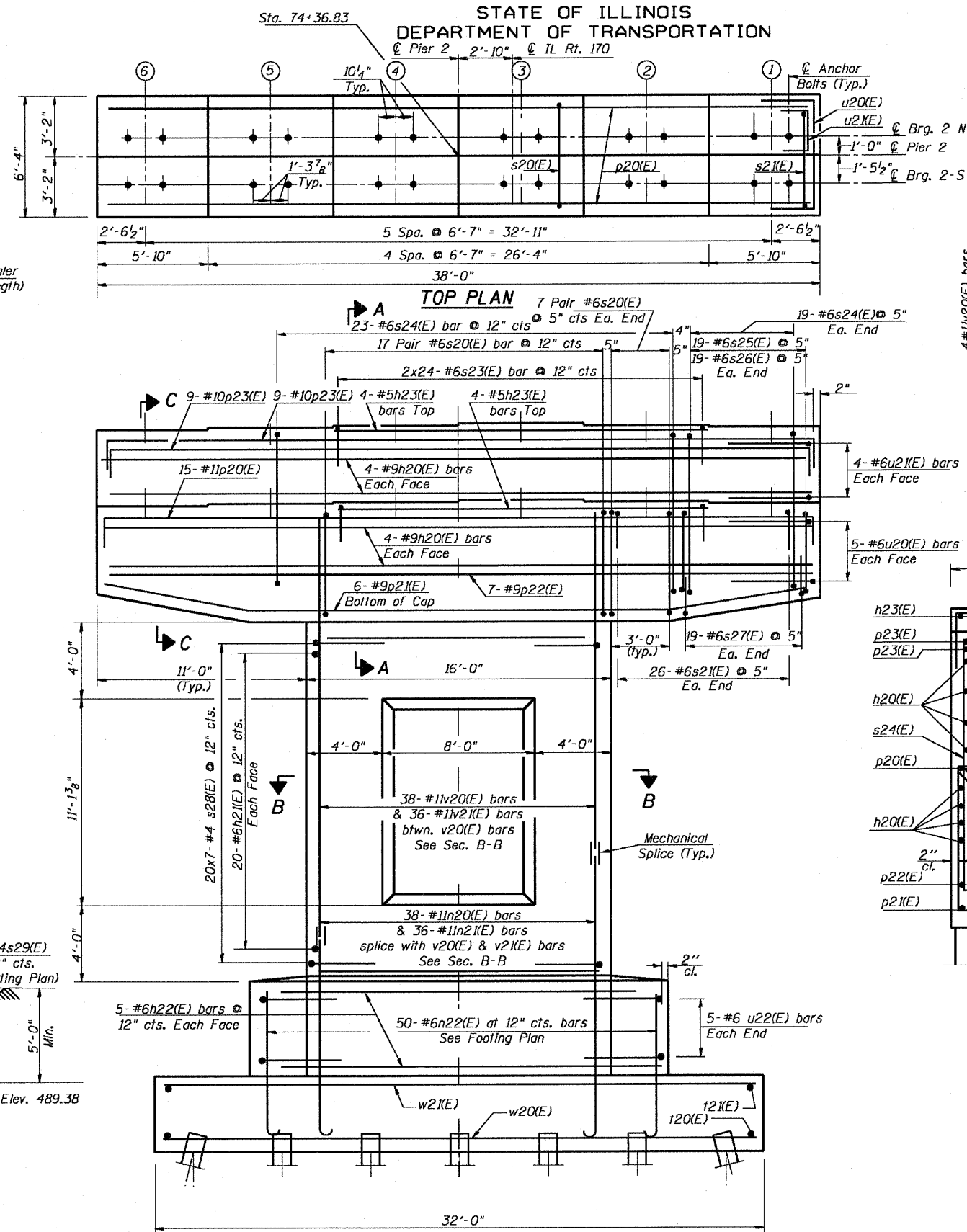


- Notes:**
1. Space reinforcement in cap to miss anchor bolts.
  2. Pour steps monolithically with cap.
  3. For details of piles, see sheet 81 of 89.
  4. Bridge seats between the bearings shall be sloped to drain.

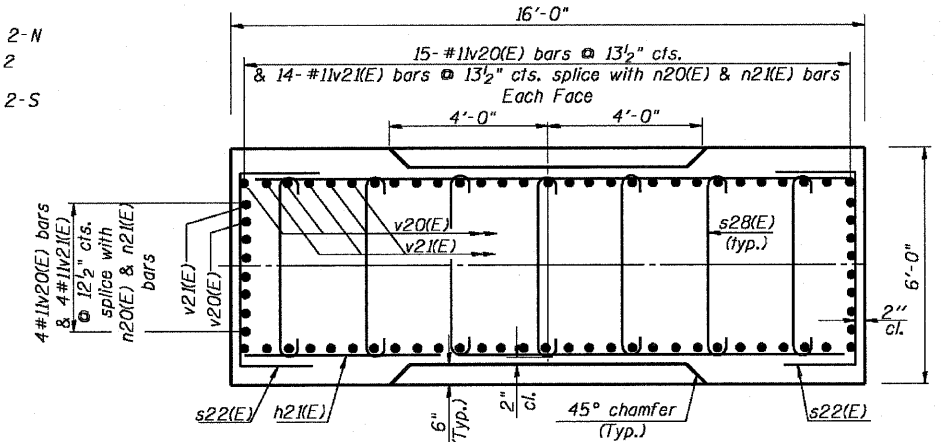


**END VIEW**

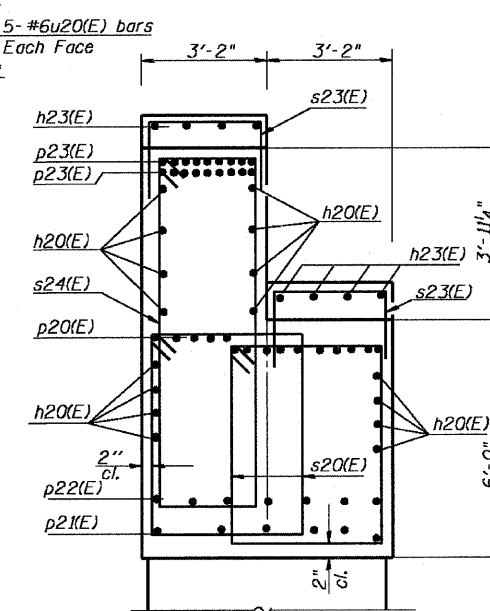
DESIGNED	- RJC
CHECKED	- DEV
DRAWN	- JHR
CHECKED	- DEV



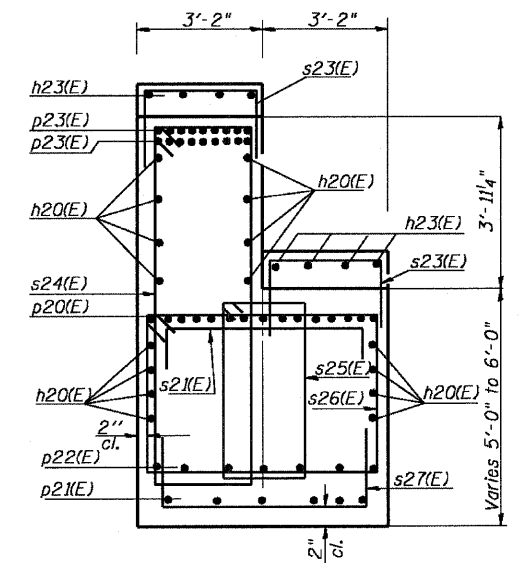
**PIER 2 ELEVATION**  
(Looking North)



**SECTION B-B**



**SECTION A-A**



**SECTION C-C**

**PIER 2**  
**IL. 170 F.A.P. 786 OVER**  
**ILLINOIS RIVER AT SENECA**  
**PUBLIC WATERS**  
**LA SALLE COUNTY, SECTION 109 BR**  
**STATION 79+04.42**  
**STRUCTURE NO. 050-0246**