

Notes:
 Space reinforcement in cap to miss anchor bolts.
 Four steps monolithically with cap.
 For details of piles, see sheet 81 of 89.

STATE OF ILLINOIS
 DEPARTMENT OF TRANSPORTATION

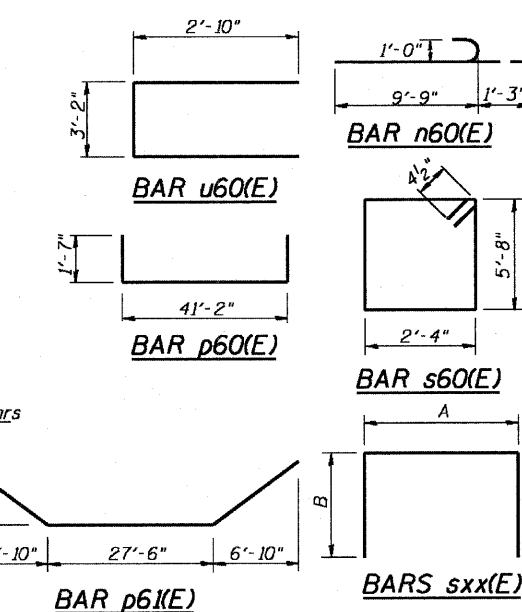
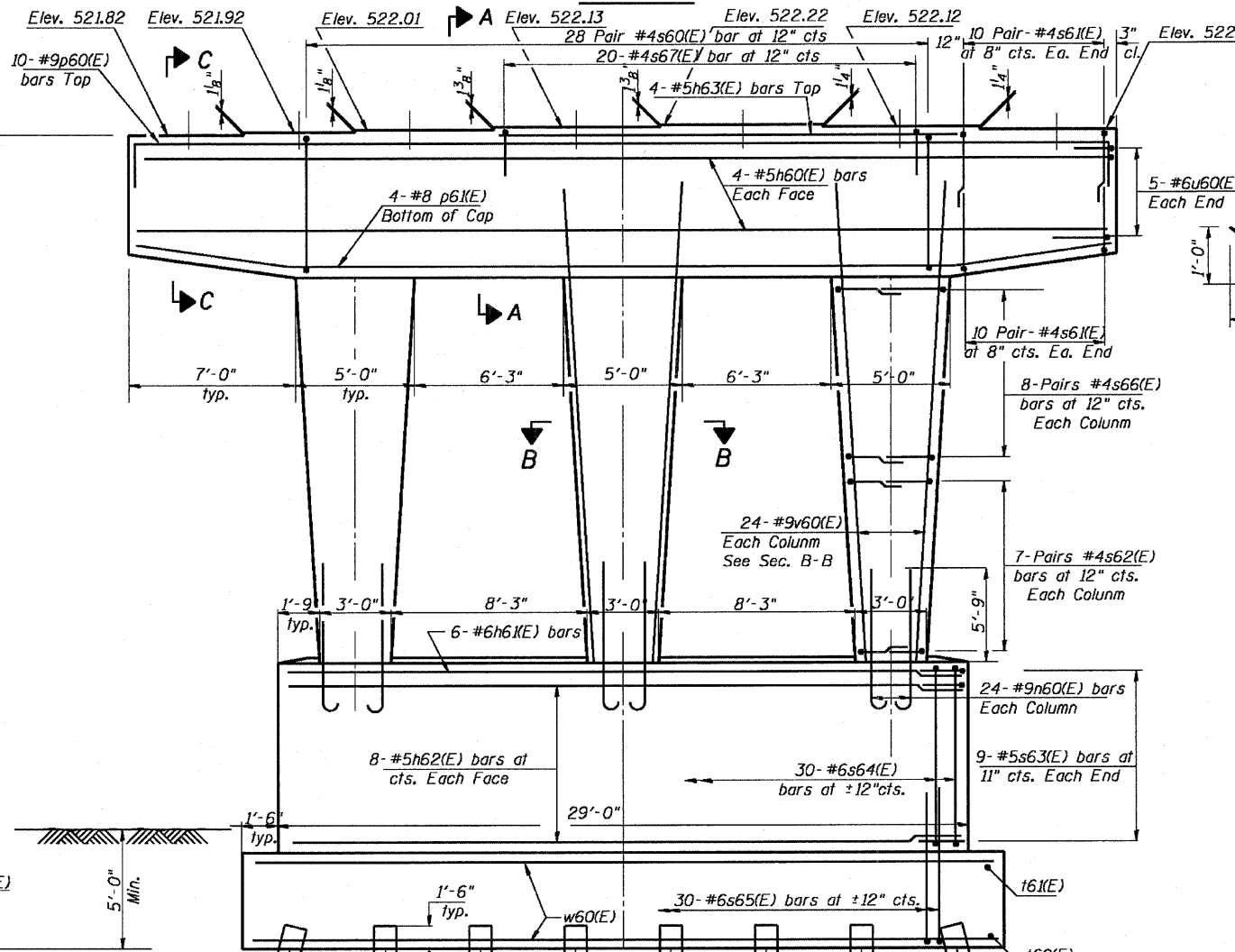
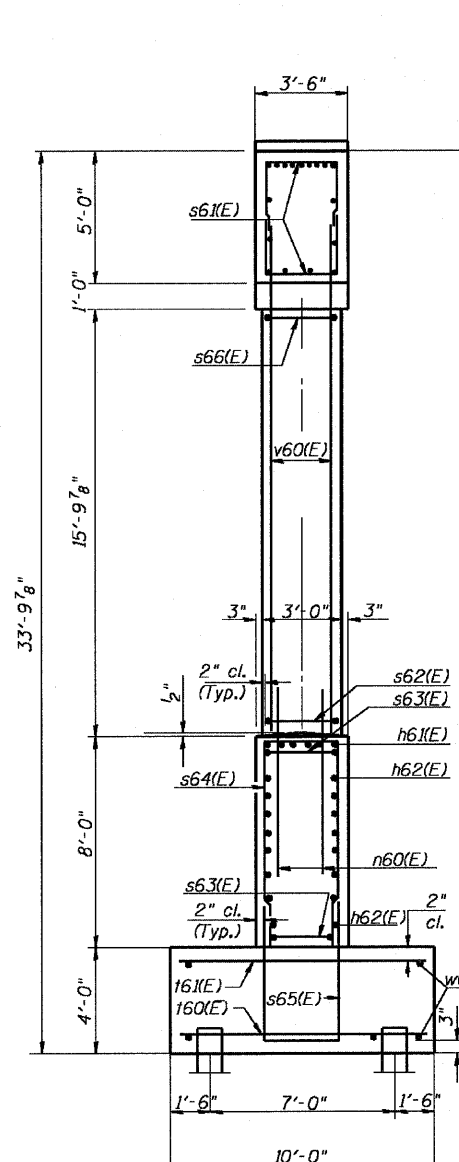
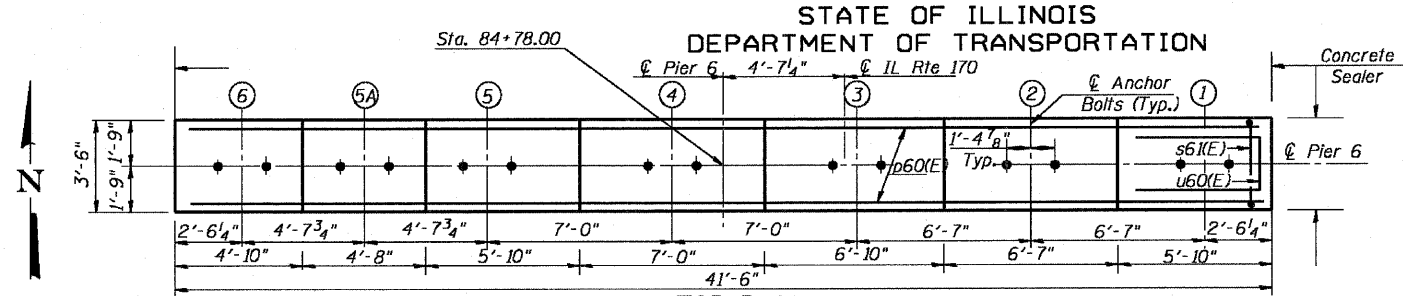


F.A.P. ROUTE NO.	SECTION	COUNTY	MILES	POST	SHEET NO. 76
786	109 BR	La Salle	351	276	89 SHEETS
FED. ROAD DIST. NO. 7	ILLINOIS	FED. AID PROJECT-			

Contract # 66607

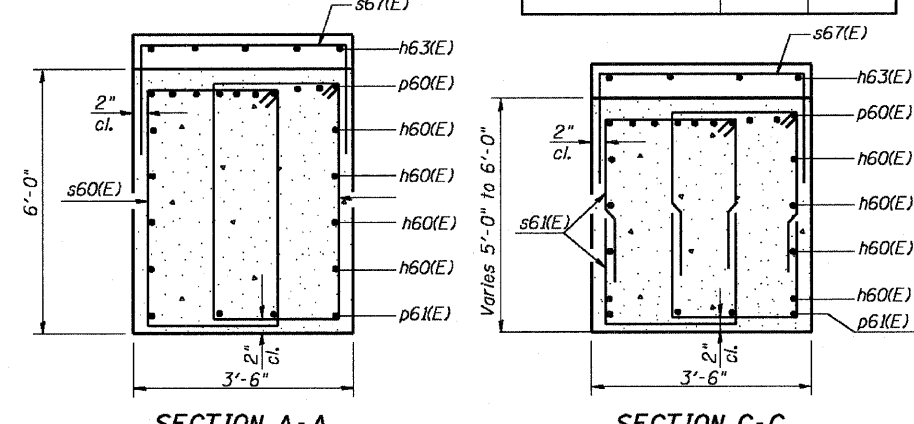
BILL OF MATERIAL

Bar	No.	Size	Length	Shape
h60(E)	8	#5	41'-2"	
h61(E)	6	#6	28'-8"	
h62(E)	16	#5	28'-8"	
h63(E)	4	#5	20'-0"	
n60(E)	72	#9	11'-0"	
p60(E)	10	#9	44'-4"	
p61(E)	4	#8	41'-4"	
s60(E)	56	#4	16'-9"	
s61(E)	80	#4	9'-8"	
s62(E)	42	#4	8'-0"	
s63(E)	18	#5	7'-6"	
s64(E)	30	#6	18'-6"	
s65(E)	30	#6	15'-10"	
s66(E)	48	#4	10'-0"	
s67(E)	20	#4	8'-2"	
160(E)	40	#8	9'-8"	
161(E)	20	#5	9'-8"	
u60(E)	10	#6	8'-10"	
v60(E)	72	#9	19'-0"	
w60(E)	18	#7	31'-8"	
Structure Excavation			Cu. Yd.	103
Concrete Structures			Cu. Yd.	131
Reinforcement Bars, Epoxy Coated			Pound	16,480
Furnishing Steel Piles HP 12x14			Foot	450
Driving Piles			Foot	450
Test Pile			Each	1
Pile Shoes			Each	16



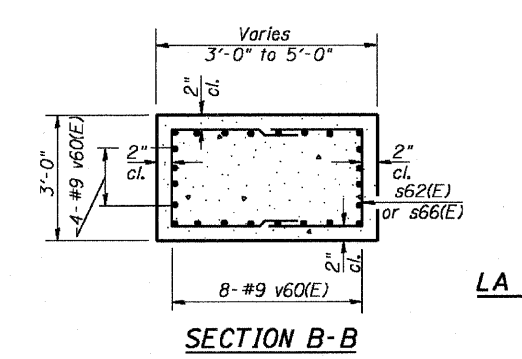
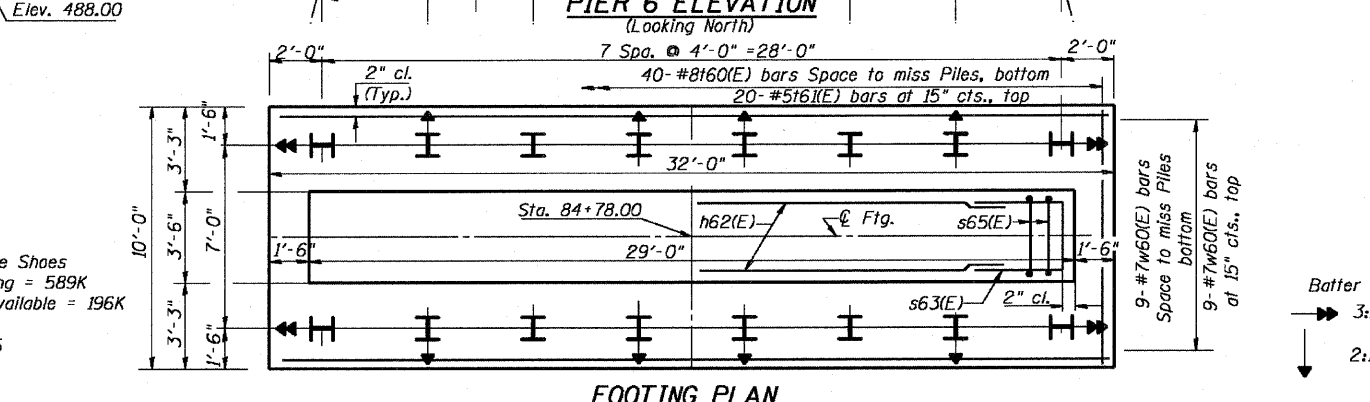
A & B DIMENSIONS

Bar	A	B
s61(E)	2'-4"	3'-8"
s62(E)	2'-8"	2'-8"
s63(E)	3'-2"	2'-2"
s64(E)	3'-2"	7'-8"
s65(E)	3'-2"	6'-4"
s66(E)	2'-8"	3'-8"
s67(E)	3'-2"	2'-6"



PILE DATA

DESIGNED - RJC	Type: HP12x14 with Pile Shoes
CHECKED - DEV	Nominal Required Bearing = 589K
DRAWN - JHR	Allowable Resistance Available = 196K
CHECKED - DEV	Est. Length: 30'
	No. Production Piles: 15
	No. Test Piles: 1



PIER 6
 IL. 170 F.A.P. 786 OVER
 ILLINOIS RIVER AT SENECA
 PUBLIC WATERS
 LA SALLE COUNTY, SECTION 109 BR
 STATION 79+04.42
 STRUCTURE NO. 050-0246