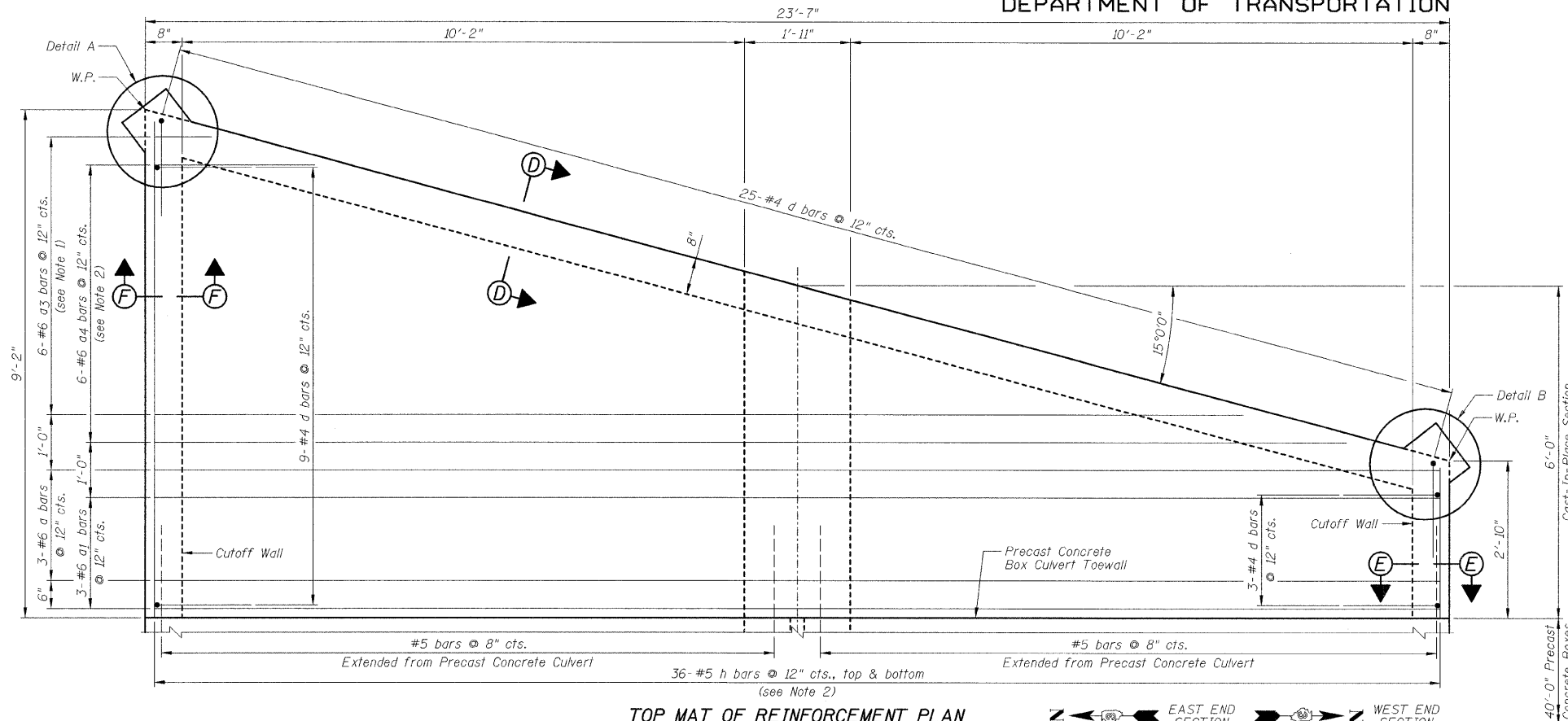


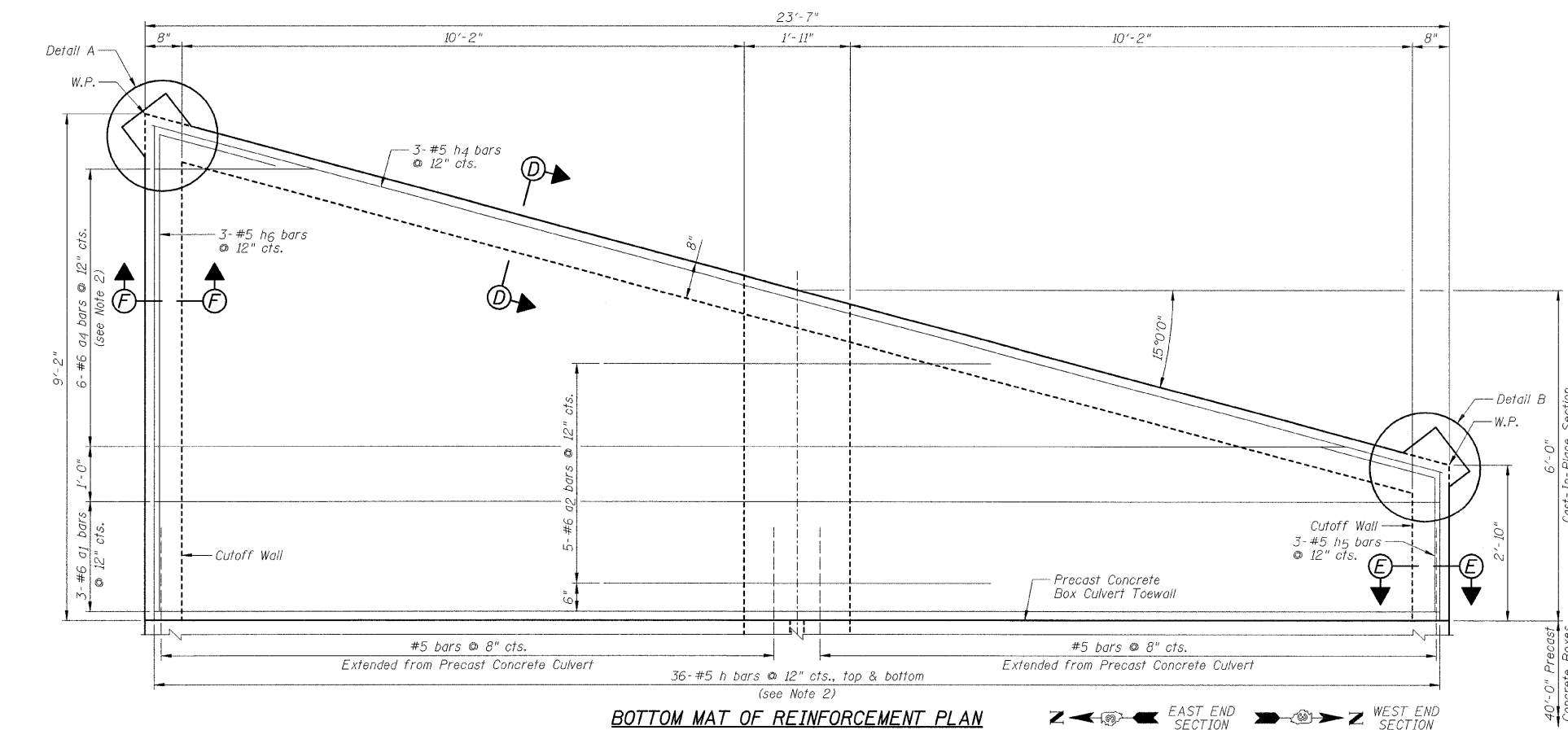
STATE OF ILLINOIS
DEPARTMENT OF TRANSPORTATION

| | | | | |
|---------------------|---------------------------|----------|--------------|-----------|
| F.A.P. RTE. | SECTION | COUNTY | TOTAL SHEETS | SHEET NO. |
| 338 | 33 BR-1 | IROQUOIS | 27 | 17 |
| STA. | TO STA. | | | |
| FED. ROAD DIST. NO. | ILLINOIS FED. AID PROJECT | | | |

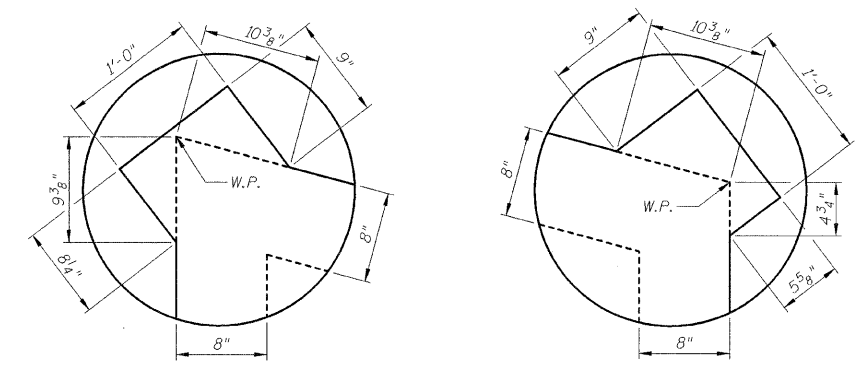
SHEET NO. B5
OF 10 SHEETS



TOP MAT OF REINFORCEMENT PLAN

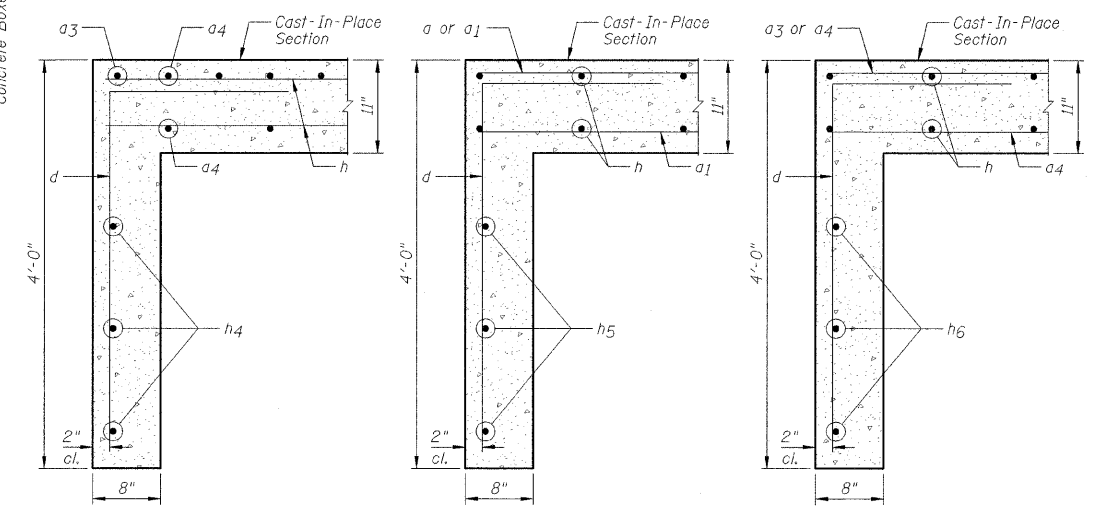


BOTTOM MAT OF REINFORCEMENT PLAN



DETAIL A

DETAIL B



SECTION D-D

SECTION E-E

SECTION F-F

NOTES:

- 1.) Order a3 bars full length, cut according to Bar Cutting Diagram on Sheet B3. Use remainder of bars in opposite end.
- 2.) Order a4 and h bars full length, cut according to Bar Cutting Diagram on Sheet B3. Use remainder of bars in opposite mat.
- 3.) For Bill of Material, see Sheet B3.
- 4.) W.P. denotes Working Point.

| REVISIONS | |
|-----------|------|
| NAME | DATE |
| | |
| | |
| | |
| | |
| | |

ILLINOIS DEPARTMENT OF TRANSPORTATION
CAST-IN-PLACE CONCRETE CULVERT
BOTTOM SLAB PLANS AND SECTIONS
F.A.P. 338 (US 45) OVER A DITCH
SECTION 33 BR-1
IROQUOIS COUNTY
STATION 2372+90.00
STRUCTURE NO. 038-2018
DESIGNED BY: JML
DATE: 12/07/07
DRAWN BY: DJM
CHECKED BY: MSW