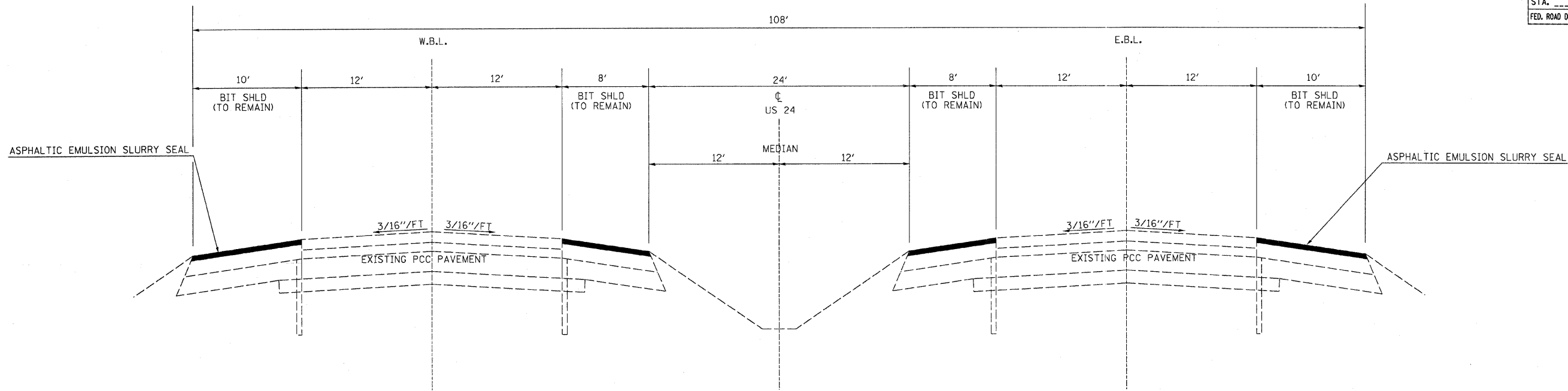
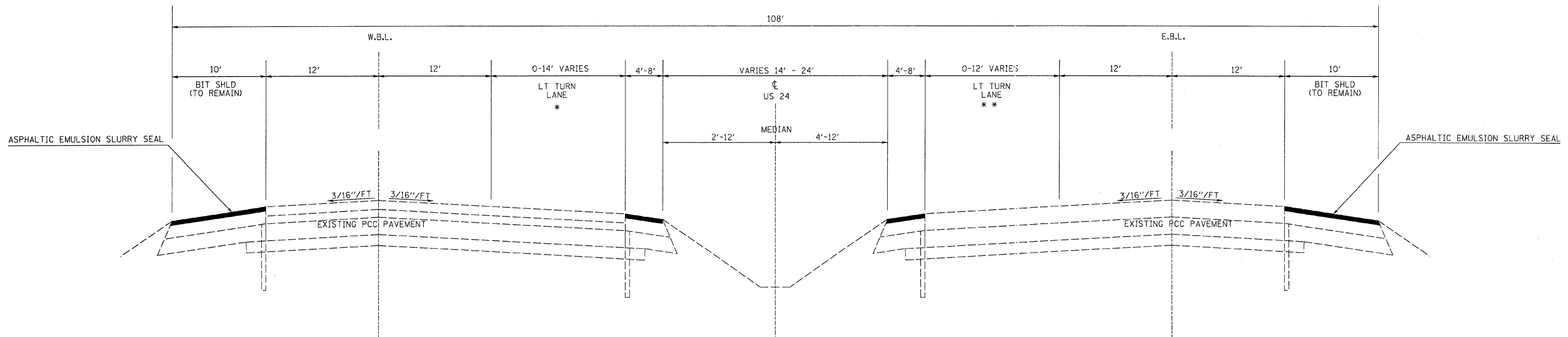


F.A.P. RTE.	SECTION	COUNTY	TOTAL SHEETS	SHEET NO.
317	(9, 18)	IROQUOIS	8	5
STA. _____ TO STA. _____		FED. ROAD DIST. NO. ILLINOIS FED. AID PROJECT		



TYPICAL SECTION #5  
 STA 2912+00 TO STA 2925+40  
 STA 2936+00 TO STA 2996+00



TYPICAL SECTION #6  
 STA 2925+49 TO STA 2936+00

\* 14' FROM STA 2929+00 TO STA 2933+15  
 VARIES FROM 14' AT STA 2933+15 TO STA 2936+00

\*\* VARIES FROM 0' AT STA 2925+61 TO 12' AT STA 2927+81  
 12' FROM STA 2927+81 TO STA 2929+80

**STRUCTURE OMISSION**  
 SN 038-0140 WB & 038-0170 EB  
 STA 2917+06.5 TO 2917+28.5

**RR OMISSION**  
 STA 2959+40 TO 2925+49

Date 11, 2007 - 07:44:31 AM  
 C:\Users\jerry\Documents\10712199.dgn