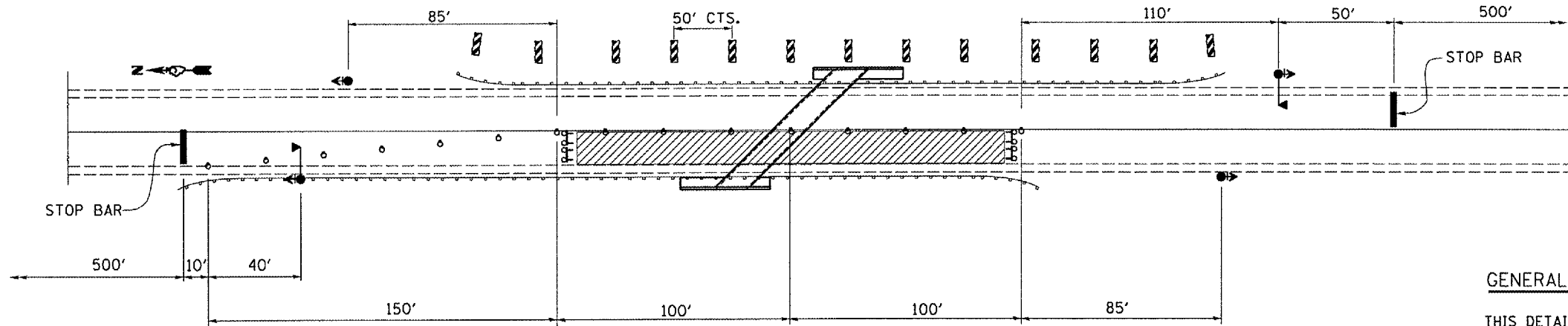
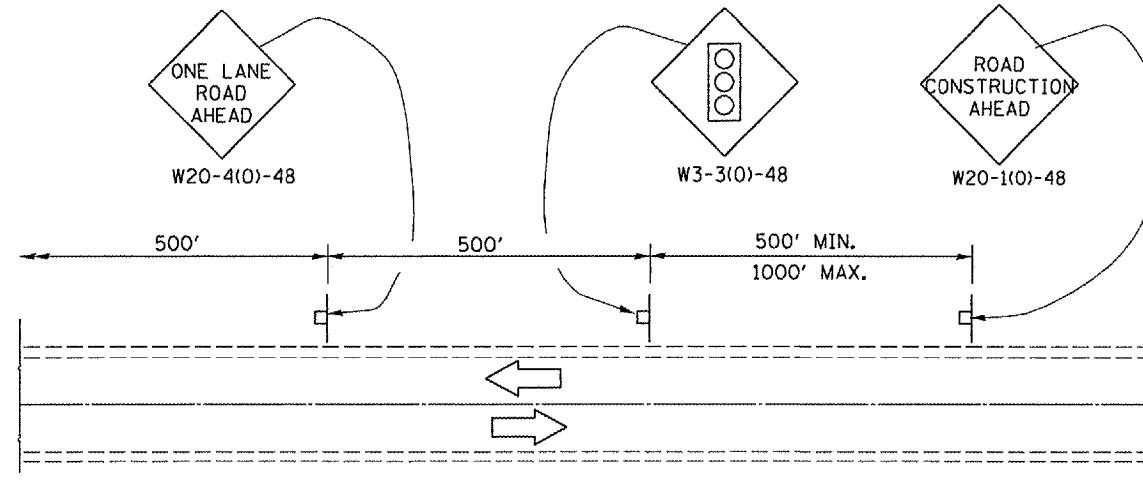


TYPICAL ROADWAY SECTION
LOOKING SOUTH



PLAN

GENERAL NOTES

THIS DETAIL SHALL BE USED WHERE, AT ANY TIME, ANY VEHICLE, EQUIPMENT, WORKERS, OR THEIR ACTIVITIES WILL ENCROACH ON ONE LANE OF A 2L, 2W HIGHWAY OR BRIDGE. TRAFFIC SIGNALS SHALL BE REQUIRED. THIS DETAIL SHALL BE USED IN CONJUNCTION WITH TRAFFIC CONTROL AND PROTECTION STANDARD 701316.

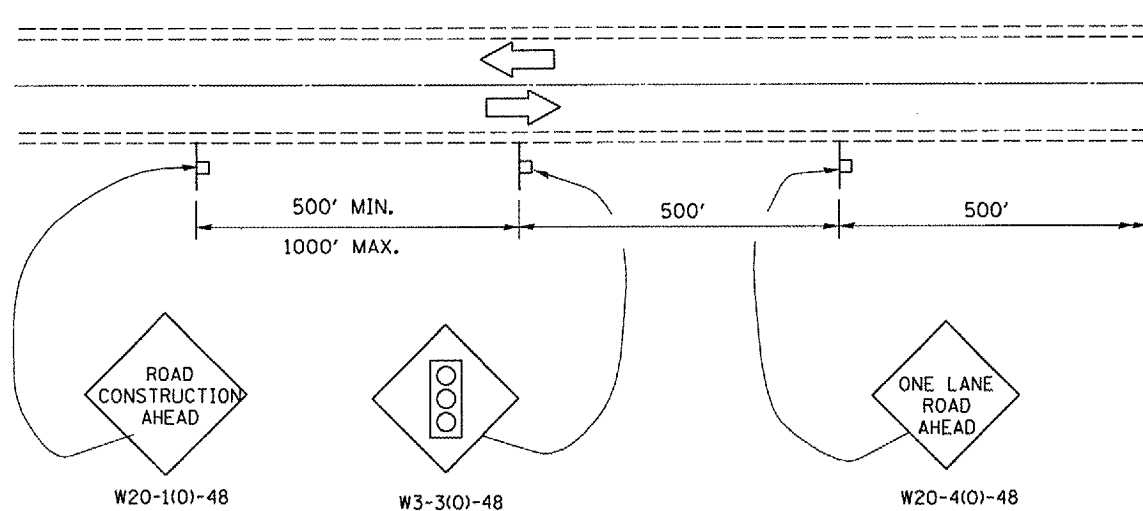
WHEN TRAFFIC SIGNALS ARE NOT IN OPERATION, FLAGGERS SHALL BE USED AND TRAFFIC CONTROL SHALL CONFORM TO TRAFFIC CONTROL AND PROTECTION STANDARDS 701201 OR 701206.

BI-DIRECTIONAL LIGHTS SHALL BE USED AT NIGHT ALONG THE CENTERLINE WHERE THE WORK AREA IS SEPERATED FROM THE TRAVEL LANE USING DRUMS. MONODIRECTIONAL LIGHTS SHALL BE USED AT NIGHT ON ALL OTHER DRUMS.

EXISTING OR TEMPORARY PAVEMENT MARKING SHALL BE ON BOTH SIDES OF THE OPEN LANE FROM STOP BAR TO STOP BAR.

SYMBOLS

- Work area
- Sign
- Type III barricade with steady burning light
- Drum with steady burning light
- Traffic signal
- Double vertical panel
- Microwave Detector



FILE NAME =	USER NAME = woodshank1	DESIGNED - RON WOODSHANK	REVISED - 11/29/2007
c:\projects\omastn28\cm315\details.dgn		DRAWN - RON WOODSHANK	REVISED -
		CHECKED -	REVISED -
		DATE -	REVISED -

STATE OF ILLINOIS
DEPARTMENT OF TRANSPORTATION

STAGING DETAILS - SB LANE

SCALE: SHEET NO. 6 OF 7 SHEETS STA. 110+10 TO STA. 115+30

F.A.P. RTE. 646	SECTION (121)-2	COUNTY BUREAU	TOTAL SHEETS 13	SHEET NO. 6
CONTRACT NO. 66732				
FED. ROAD DIST. NO. ILLINOIS				