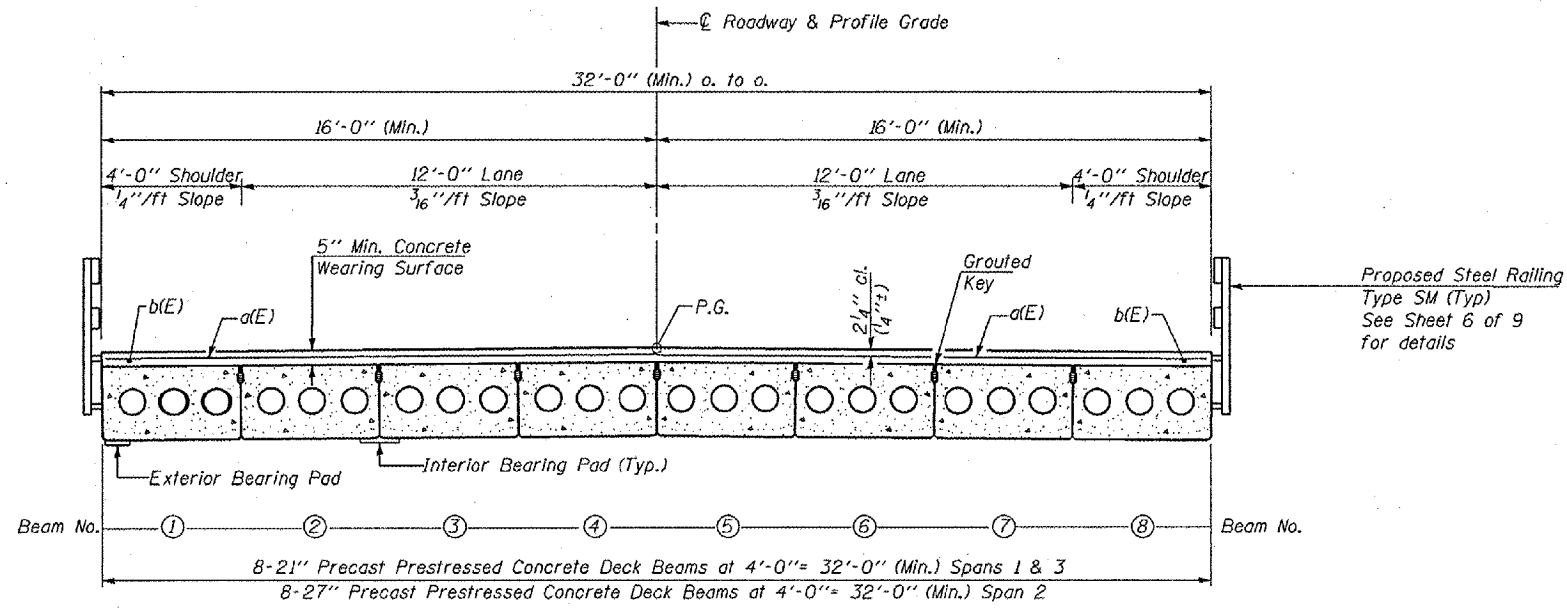


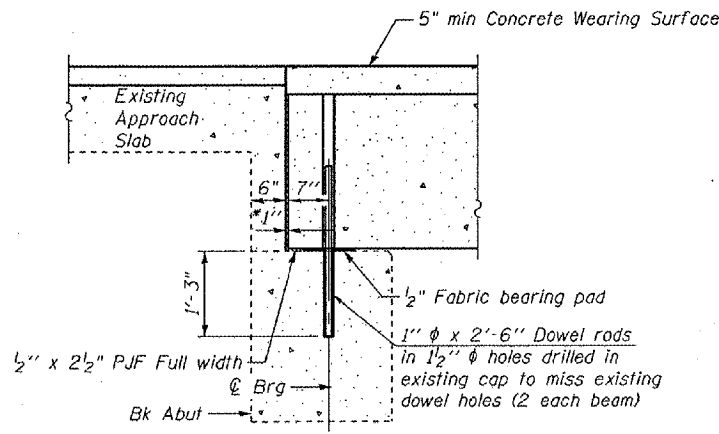
ROUTE NO.	SECTION	COUNTY	SHEETS	SHEET	SHEET NO.
FAP 749	9BR	EDGAR	31	9	2
FED. ROAD DIST. NO.					9 SHEETS

Contract #70389

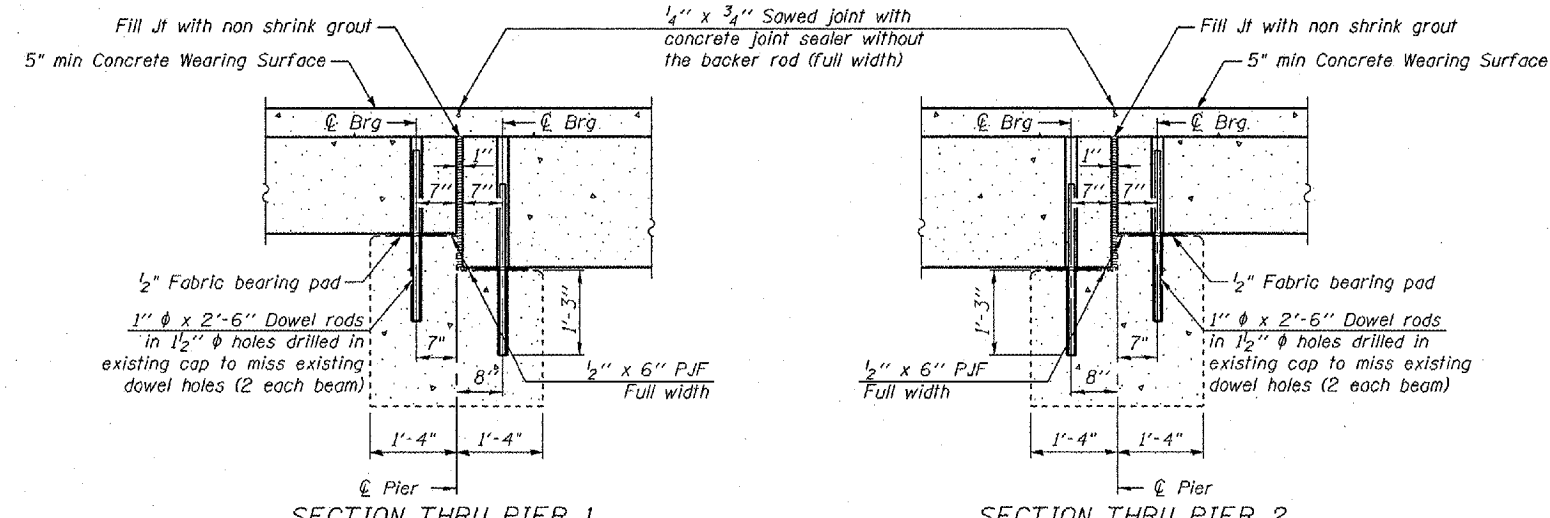


CROSS SECTION
(Looking East) (21" beams shown)

*1" Jt. shall be filled with non-shrink grout.
1" dimension may vary to accommodate tolerance in beam lengths.

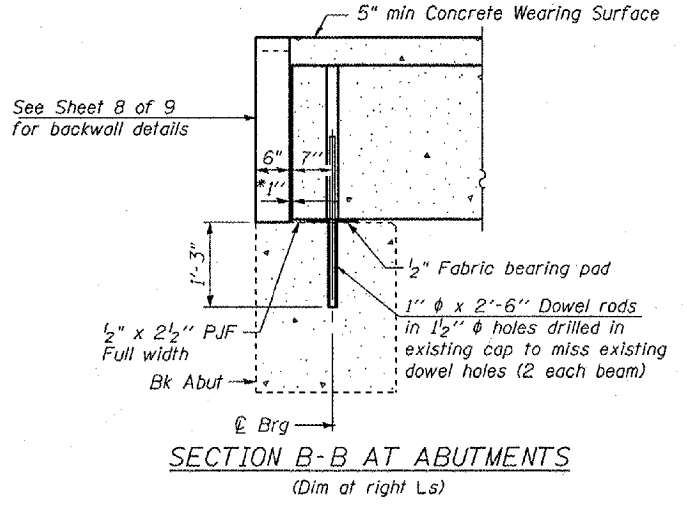


SECTION A-A AT ABUTMENTS
(Dim at right Ls)

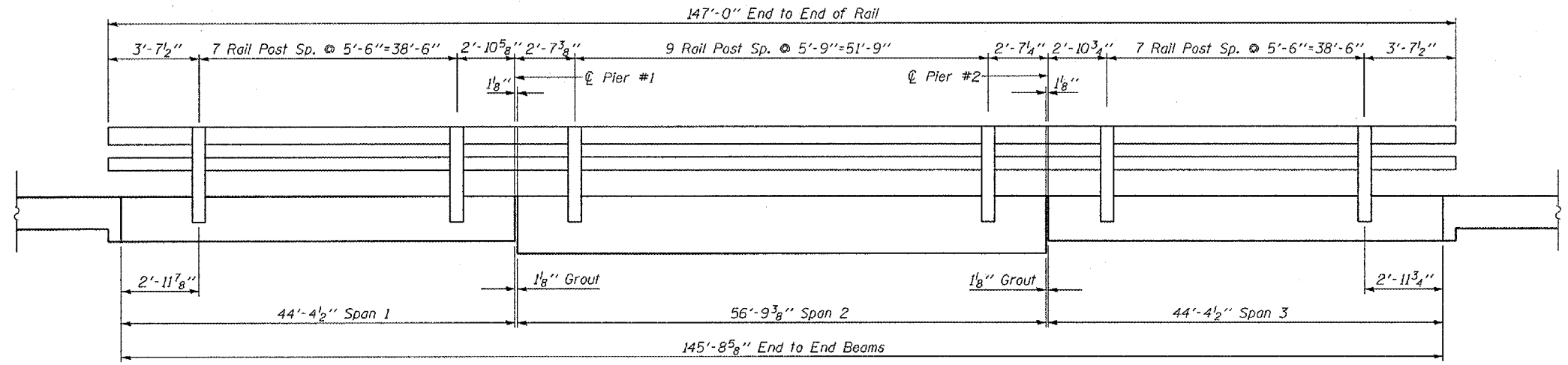


SECTION THRU PIER 1
(Dim at right Ls) (Looking NW)

SECTION THRU PIER 2
(Dim at right Ls) (Looking NW)



SECTION B-B AT ABUTMENTS
(Dim at right Ls)



RAIL POST SPACING

PLOT DATE: 08/31/2007
FILE NAME: \\0023-005-ent2-super-detail.dgn
USER: KPS

ILLINOIS DEPARTMENT OF TRANSPORTATION	
SHEET TITLE SUPERSTRUCTURE DETAILS	
PROJECT IL 133 OVER HICKORY GROVE CREEK FAP 749 SECTION 9BR EDGAR COUNTY STATION 159+99.25 STRUCTURE NUMBER 023-0015	PROJECT NO. 03061-11 DATE 8/31/07 DRAWN BY TFG/CFC CHECKED BY KPS/BD/MCB DRAWING NO.
COOMBE-BLOXDORF P.C. Engineers / Land Surveyors Springfield, Illinois Design Firm License No. 184-002703	
2 OF 9 SHTS	