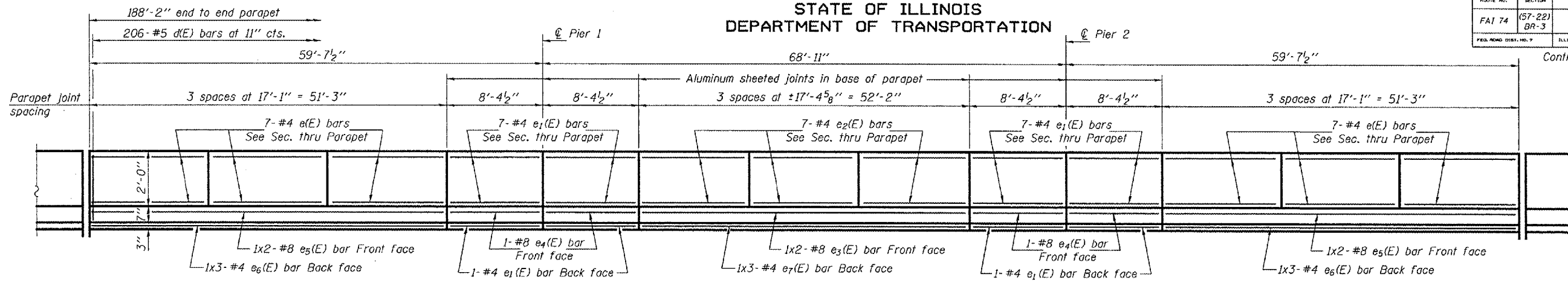


STATE OF ILLINOIS
DEPARTMENT OF TRANSPORTATION

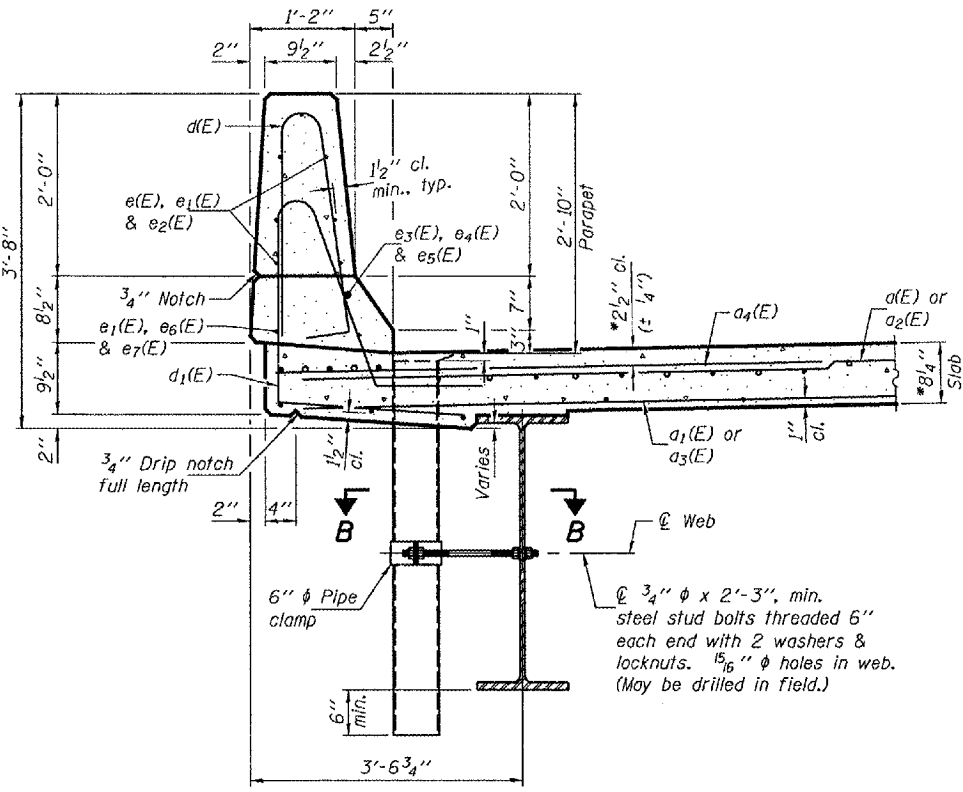
ROUTE NO.	SECTION	COUNTY	SHEET NO.	SHEET NO.	SHEET NO.
FAI 74	(57-22) BR-3	McLEAN	42	22	24 SHEETS
FED. AID DIST. NO. 7		ILLINOIS	FED. AID PROJECT		

Contract #70672

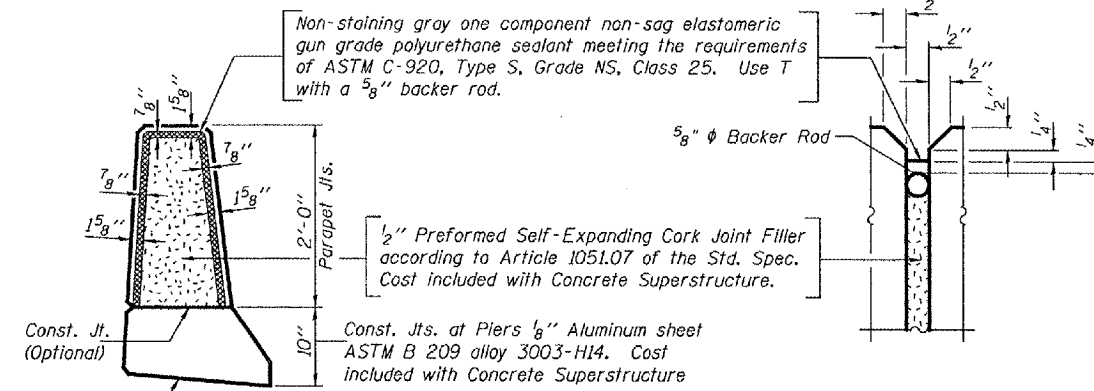


MIN. BAR LAPS
(Parapet)
#4 bar = 1'-4"
#8 bar = 3'-5"

INSIDE ELEVATION OF PARAPET

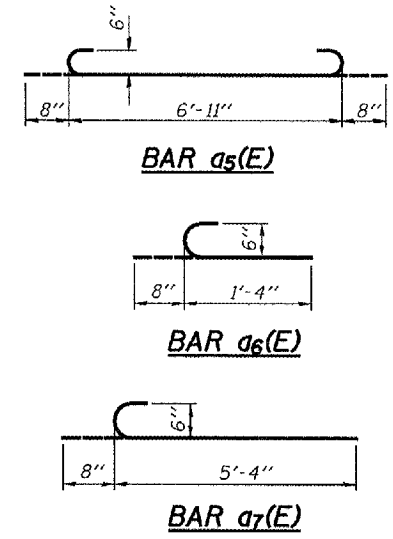


SECTION THRU PARAPET
*Prior to Grinding



PARAPET JOINT DETAILS

Notes: Drains shall be located clear of all diaphragms. Fiberglass pipe shall conform to ASTM D 2996, with short-time rupture strength hoop tensile stress of 30,000 p.s.i. minimum. The exterior surfaces of the floor drains shall be painted with the finish coat as specified in the Special Provisions for Cleaning and Painting New Metal Structures. The exterior surfaces of the drains shall be cleaned according to Steel Structures Painting Council's Spec. SSPC-SPI prior to painting.

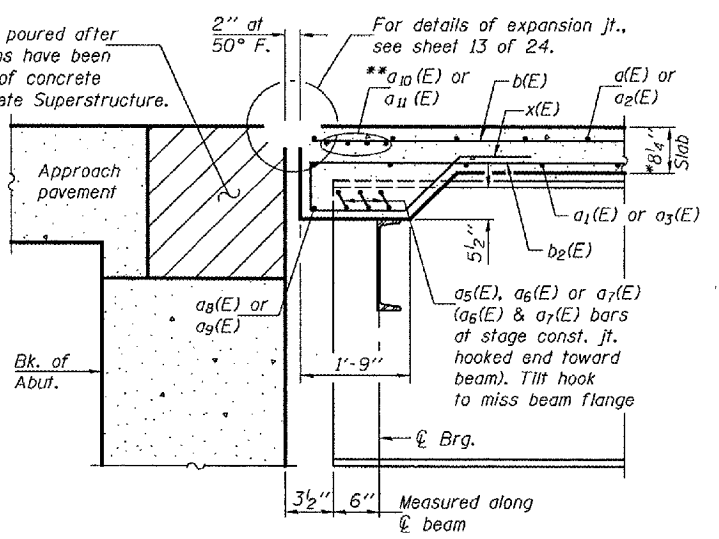
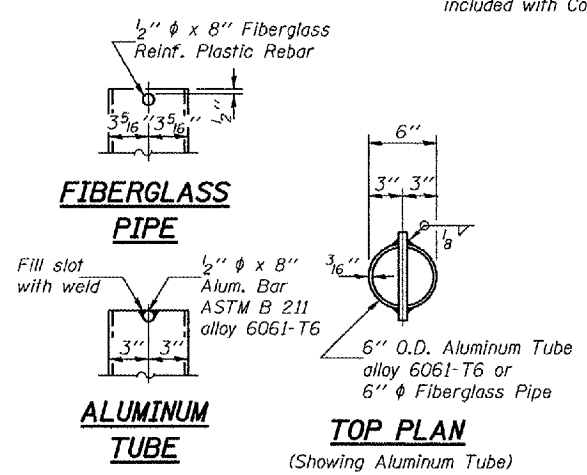
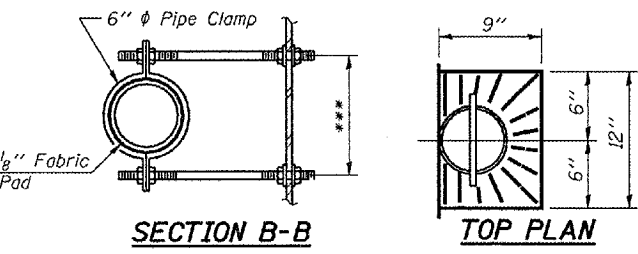


SUPERSTRUCTURE BILL OF MATERIAL

Bar	No.	Size	Length	Shape
a(E)	301	#5	19'-2"	—
a1(E)	226	#5	18'-9"	—
a2(E)	301	#5	23'-2"	—
a3(E)	226	#5	22'-9"	—
a4(E)	300	#6	6'-0"	—
a5(E)	24	#6	8'-3"	—
a6(E)	6	#6	2'-0"	—
a7(E)	6	#6	6'-0"	—
a8(E)	2	#6	15'-9"	—
a9(E)	2	#6	19'-9"	—
a10(E)	8	#7	19'-2"	—
a11(E)	8	#7	23'-2"	—
a12(E)	16	#5	2'-0"	—
b(E)	276	#5	32'-9"	—
b1(E)	86	#6	37'-6"	—
b2(E)	294	#5	28'-4"	—
d(E)	412	#5	5'-7"	—
d1(E)	412	#5	8'-3"	—
e(E)	84	#4	16'-10"	—
e1(E)	64	#4	8'-1"	—
e2(E)	42	#4	17'-1"	—
e3(E)	4	#8	27'-8"	—
e4(E)	8	#8	8'-1"	—
e5(E)	8	#8	27'-3"	—
e6(E)	12	#4	17'-11"	—
e7(E)	6	#4	18'-3"	—
x(E)	72	#5	5'-11"	—

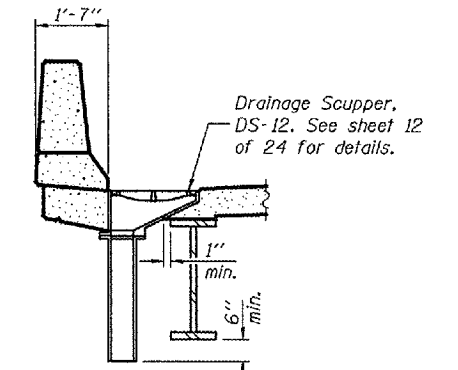
Reinforcement Bars, Epoxy Coated	Pound	59360
Concrete Superstructure	Cu. Yds.	261.8

Bars indicated thus 1 x 2-#8 etc. indicates 1 line of bars with 2 lengths per line.

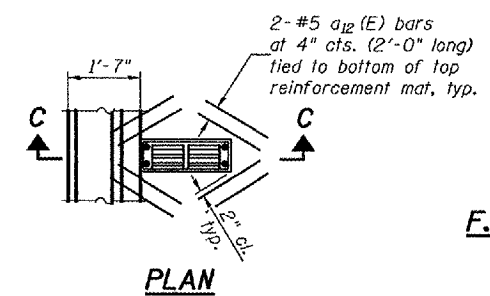


SECTION A-A

**4-a10(E) & 4-a11(E) bars at 4" cts. Place under longitudinal bars.



SECTION C-C



PLAN

Note: Cut longitudinal reinforcement to clear drainage scuppers.

DESIGNED	DPN
CHECKED	SMR
DRAWN	h.t. duong
CHECKED	DPN/SMR

EXAMINED *Thomas J. Demagala*
ENGINEER OF BRIDGE DESIGN
PASSED *Ronald E. Anderson*
ENGINEER OF BRIDGES AND STRUCTURES

SUPERSTRUCTURE DETAILS
F.A.I. RT. 74 - SEC. (57-22)BR-3
McLEAN COUNTY
STATION 1039+00
STRUCTURE NO. 057-0125 (E.B.)

Added sheet 2-13-08