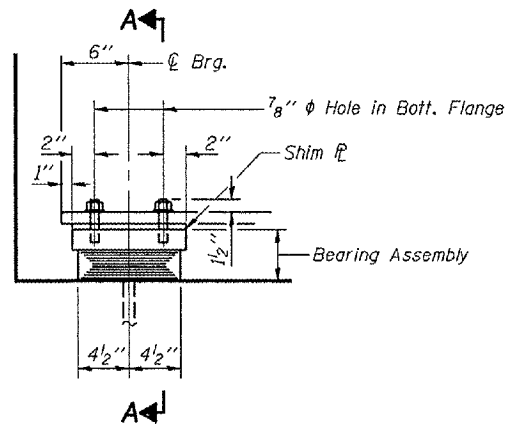


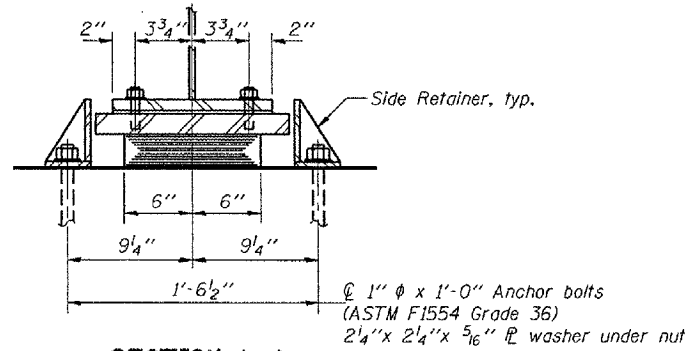
STATE OF ILLINOIS
DEPARTMENT OF TRANSPORTATION

ROUTE NO.	SECTION	COUNTY	STA. NO.	SHEET	SHEET NO. 16 24 SHEETS
FAI 74	(57-22) BR-3	McLEAN	42	27	
FED. ROAD DIST. NO. 7	ILLINOIS	FED. AID PROJECT-			

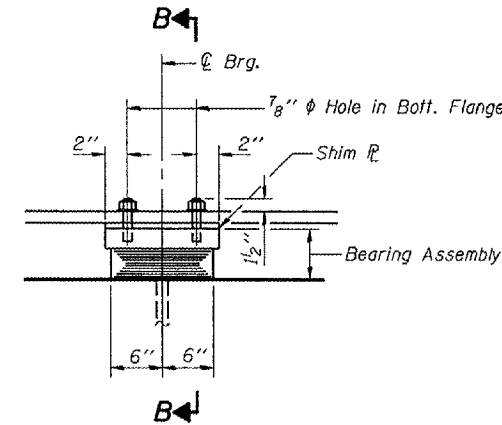
Contract #70672



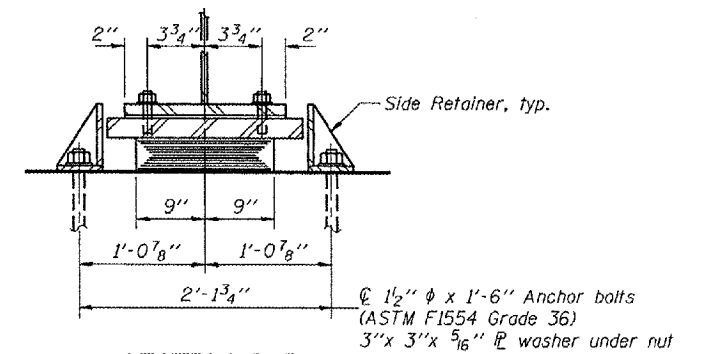
ELEVATION AT WEST ABUT.



SECTION A-A



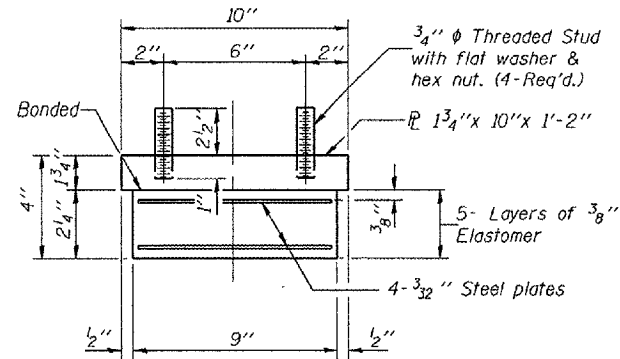
ELEVATION AT PIER 2



SECTION B-B

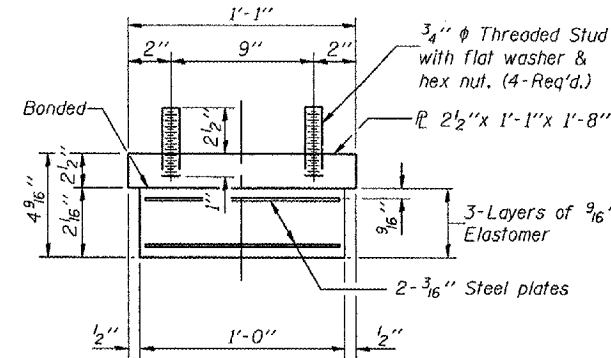
TYPE I ELASTOMERIC EXP. BRG.

TYPE I ELASTOMERIC EXP. BRG.



BEARING ASSEMBLY

Note:
Shim plates shall not be placed under Bearing Assembly.



BEARING ASSEMBLY

Note:
Shim plates shall not be placed under Bearing Assembly.

Notes:
Anchor bolts shall be ASTM F1554 all-thread (or an Engineer-approved alternate material) of the grade(s) and diameter(s) specified, ASTM A307 Grade C anchor bolts may be used in lieu of ASTM F1554 Grade 36 (Fy=36ksi). The corresponding specified grade of AASHTO M314 anchor bolts may be used in lieu of ASTM F1554.

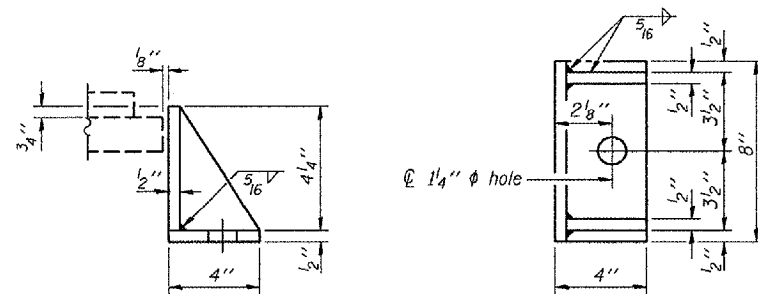
Anchor bolts for side retainers may be cast in place or installed in holes drilled before or after members are in place.

Drilled and set anchor bolts shall be installed according to Article 521.06 of the Standard Specifications.

Side retainers and other steel members required for the bearing assembly shall be included in the cost of Elastomeric Bearing Assembly, Type I.

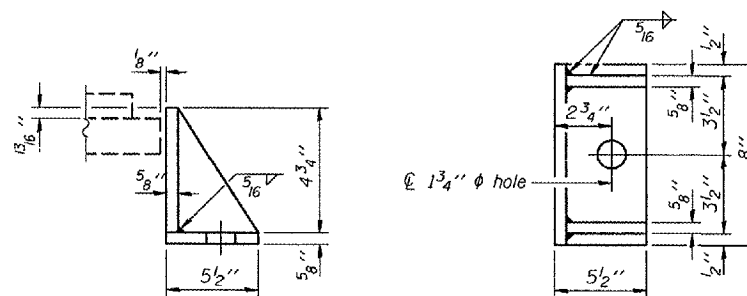
The structural steel plates of the bearing assembly shall conform to the requirements of AASHTO M 270, Grade 50.

Two 1/8 in. adjusting shims shall be provided for each bearing in addition to all other plates or shims and placed as shown on bearing details.



SIDE RETAINER

Equivalent rolled angle with stiffeners will be allowed in lieu of welded plates.



SIDE RETAINER

Equivalent rolled angle with stiffeners will be allowed in lieu of welded plates.

BILL OF MATERIAL

Item	Unit	Total
Elastomeric Bearing Assembly Type I	Each	12
Anchor Bolts 1" dia	Each	12
Anchor Bolts 1 1/2" dia	Each	12

DESIGNED	DPN
CHECKED	SMR
DRAWN	h.t. duong
CHECKED	DPN/SMR

Jan. 31, 2008
EXAMINED *Thomas J. Damagallo*
PASSED *Ronald E. Anderson*
ENGINEER OF BRIDGES AND STRUCTURES

BEARING DETAILS
F.A.I. RT. 74 - SEC. (57-22)BR-3
McLEAN COUNTY
STATION 1039+00
STRUCTURE NO. 057-0125 (E.B.)

A- Added sheet 2-13-08