

F.A.P. RTE.	SECTION	COUNTY	TOTAL SHEETS	SHEET NO.
753	143RS-6	CHRISTIAN	127	2
STA.		TO STA.		
FED. ROAD DIST. NO.		ILLINOIS FED. AID PROJECT		

ENVIRONMENTAL REVIEWS

PRIOR TO THE USE OF ANY PROPOSED BORROW AREAS, USE AREAS, (TEMPORARY ACCESS ROADS, DETOURS, RUN-AROUNDS, ETC.) AND/OR WASTE AREAS, THE CONTRACTOR SHALL FILE THE REQUIRED ENVIRONMENTAL RESOURCE REQUEST SURVEYS ACCORDING TO SECTION 107.22 OF THE STANDARD SPECIFICATIONS. THESE SURVEYS ARE REQUIRED IN ORDER FOR THE DEPARTMENT TO CONDUCT CULTURAL AND BIOLOGICAL RESOURCE SURVEYS FOR THE PROPOSED SITE.

PRIOR TO ANY WASTE MATERIALS BEING REMOVED FROM THE CONSTRUCTION SITE THE REQUIRED ENVIRONMENTAL RESOURCE SURVEYS WILL NEED TO BE OBTAINED AND FILED BY THE CONTRACTOR. EXCESS WASTE PRODUCTS REMOVED FROM THE CONSTRUCTION SITE SHALL BE DISPOSED OF AS REQUIRED IN SECTION 202.03 OF THE STANDARD SPECIFICATIONS.

ANY PROTRUDING METAL BARS SHALL BE REMOVED PRIOR TO THE DISPOSAL OF BROKEN CONCRETE AT APPROVED DISPOSAL SITES.

THE REQUIRED ENVIRONMENTAL RESOURCE DOCUMENTATION SHALL INCLUDE THE FOLLOWING:

- BDE FORM 2289 (ENVIRONMENTAL SURVEY REQUEST)
- A LOCATION MAP SHOWING THE SIZE LIMITS AND LOCATION OF THE USE AREA
- SIGNED PROPERTY OWNER AGREEMENT FORM
- COLOR PHOTOGRAPHS DEPICTING THE USE AREA

PLEASE NOTE THAT A MINIMUM OF TWO WEEKS SHALL BE ALLOWED FOR THE DISTRICT TO OBTAIN THE REQUIRED ENVIRONMENTAL CLEARANCES.

PROPERTY OWNER ACCESS REQUIREMENT

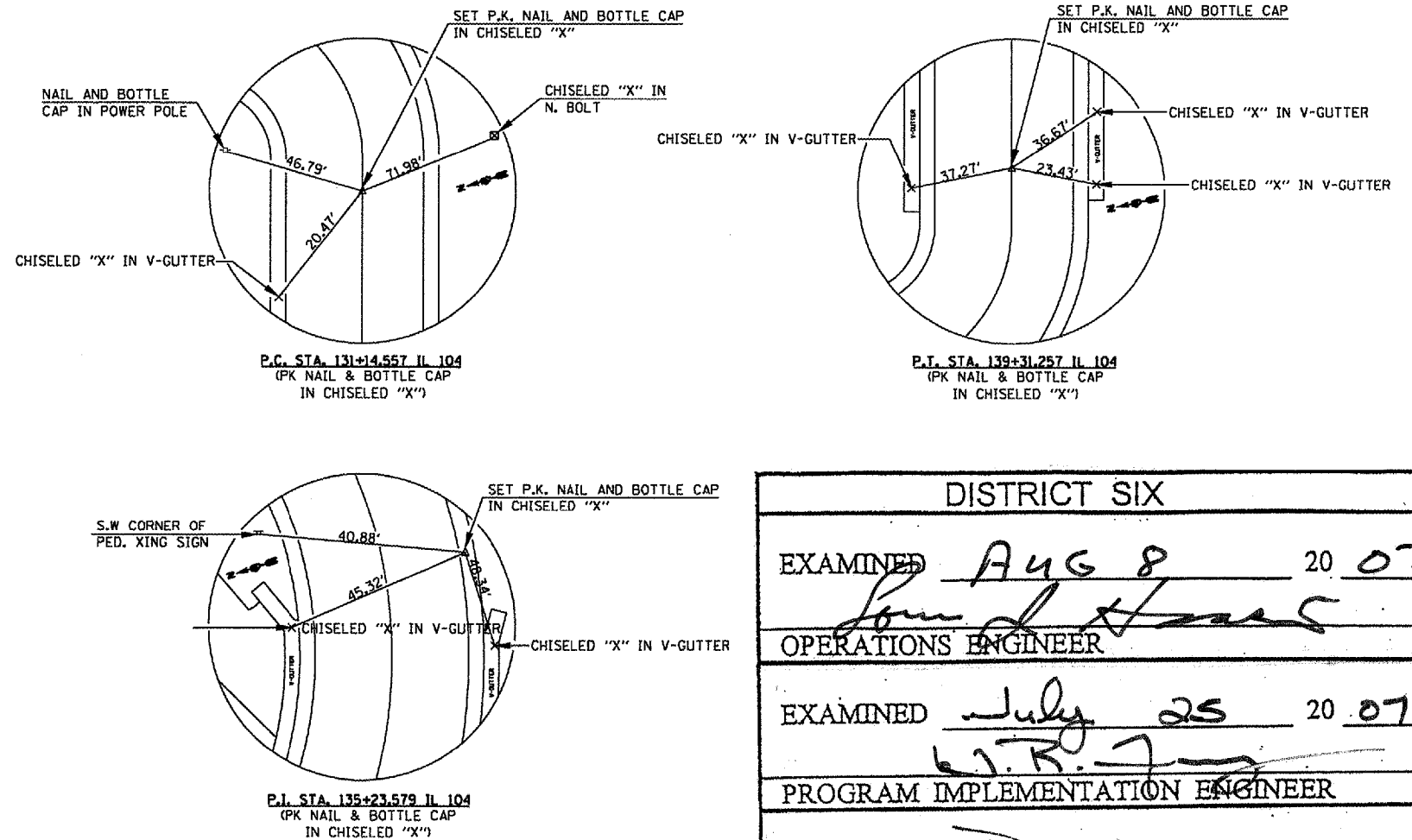
ACCESS MUST BE MAINTAINED TO ALL EXISTING PROPERTIES DURING CONSTRUCTION PER ARTICLE 107.09 UNLESS ARRANGEMENTS ARE MADE IN WRITING BY THE CONTRACTOR WITH THE PROPERTY OWNERS WITH A COPY TO THE ENGINEER FOR SHORT-TERM CLOSURES.

GENERAL NOTES

- 1.) THE THICKNESS OF HOT-MIX ASPHALT MIXTURES SHOWN ON THE PLANS IS THE NOMINAL THICKNESS. DEVIATIONS FROM THE NOMINAL THICKNESS WILL BE PERMITTED WHEN SUCH DEVIATIONS OCCUR DUE TO IRREGULARITIES IN THE EXISTING SURFACE OR BASE ON WHICH THE BITUMINOUS MIXTURE IS PLACED.
- 2.) EXCEPT AS NOTED IN THE PLANS, PAVEMENT GRADES SHOWN ARE AT THE TOP OF PAVEMENT SURFACES.
- 3.) WHERE SECTION OR SUBSECTION MONUMENTS ARE ENCOUNTERED, THE ENGINEER SHALL BE NOTIFIED BEFORE SUCH MONUMENTS ARE REMOVED. THE CONTRACTOR SHALL PROTECT AND CAREFULLY PRESERVE ALL PROPERTY MARKERS AND MONUMENTS UNTIL THE OWNER OR AN AUTHORIZED SURVEYOR OR AGENT HAS WITNESSED OR OTHERWISE REFERENCED THEIR LOCATION. THE CONTRACTOR WILL BE RESPONSIBLE FOR HAVING AN AUTHORIZED SURVEYOR RE-ESTABLISH ANY SECTION OR SUBSECTION MONUMENTS DESTROYED BY HIS OPERATIONS.
- 4.) SEEDING WILL NOT BE PERMITTED AT ANY TIME WHEN THE GROUND IS FROZEN, WET OR IN AN UNTILLABLE CONDITION. AREAS TO BE SEEDDED SHALL BE DETERMINED BY THE ENGINEER AND SEEDDED AS SOON AS POSSIBLE. ALL AREAS DISTURBED BY THE CONTRACTOR OUTSIDE THE PROPOSED CONSTRUCTION LIMITS SHALL BE SEEDDED, AS DIRECTED BY THE ENGINEER, AT THE CONTRACTOR'S EXPENSE.
- 5.) ALL SAW CUTS, NECESSARY TO COMPLETE THE WORK DETAILED IN THESE PLANS, SHALL BE INCLUDED IN THE COST FOR THE VARIOUS PAY ITEMS INVOLVED. THE MINIMUM SAW CUT DEPTH IN THE PAVEMENT SHALL BE 1/2" UNLESS UNLESS OTHERWISE SPECIFIED IN A DETAIL SHOWN IN THE PLANS.
- 6.) UNLESS DIRECTED BY THE ENGINEER, PAVEMENT MARKING LINES SHALL NOT BE LAID DIRECTLY OVER A LONGITUDINAL CRACK OR JOINT NOR OVER A TAR OR ASPHALT PAINTED LINE. THE EDGE OF A CENTERLINE OR LANE LINE SHALL BE OFFSET A MINIMUM DISTANCE OF 2" FROM A LONGITUDINAL CRACK OR JOINT. EDGE LINES SHALL BE APPROXIMATELY 2" FROM THE EDGE LINE OF PAVEMENT. SEE SECTION 780 OF THE STANDARD SPECIFICATIONS FOR TRAFFIC CONTROL ITEMS.
- 7.) ABANDONED UNDERGROUND UTILITIES THAT CONFLICT WITH CONSTRUCTION SHALL BE DISPOSED OUTSIDE THE LIMITS OF RIGHT OF WAY ACCORDING TO ARTICLE 202.03 OF THE STANDARD SPECIFICATIONS AND AS DIRECTED BY THE ENGINEER. THIS WORK WILL NOT BE PAID FOR SEPERATELY BUT SHALL BE INCLUDED IN THE COST PER CUBIC YARD FOR EARTH EXCAVATION AND NO ADDITIONAL COMPENSATION WILL BE ALLOWED.
- 8.) ANY REFERENCE TO A STANDARD IN THESE PLANS SHALL BE INTERPRETED TO MEAN THE EDITION AS INDICATED BY THE SUBNUMBER LISTED IN THE INDEX OF SHEETS OR THE COPY OF THE STANDARD INCLUDED IN THESE PLANS.
- 9.) IN ADDITION TO THE FIELD SURVEYS, PLAN DIMENSIONS AND DETAILS RELATIVE TO THE EXISTING FACILITIES HAVE BEEN TAKEN FROM EXISTING PLANS AND ARE SUBJECT TO CONSTRUCTION VARIATIONS. IT SHALL BE THE CONTRACTOR'S RESPONSIBILITY TO VERIFY SUCH DIMENSIONS AND DETAILS IN THE FIELD. SUCH VARIATIONS SHALL NOT BE A CAUSE FOR ADDITIONAL COMPENSATION DUE TO CHANGE IN THE SCOPE OF WORK. HOWEVER, THE CONTRACTOR WILL BE PAID FOR THE QUANTITY ACTUALLY FURNISHED AT THE UNIT PRICE BID FOR THE WORK.
- 10.) THE EXISTING ROAD SIGNS THAT INTERFERE WITH CONSTRUCTION WILL BE REMOVED OR RELOCATED AS DIRECTED BY THE ENGINEER. AFTER THE CONSTRUCTION IS COMPLETED, THE CONTRACTOR WILL REPLACE THE SIGNS AS DIRECTED BY THE ENGINEER. THIS WORK WILL NOT BE PAID SEPERATELY BUT SHALL BE CONSIDERED INCLUDED IN THE CONTRACT, AND NO COMPENSATION WILL BE ALLOWED.
- 11.) THE LOCATION OF ALL UTILITIES ARE BASED ON INFORMATION PROVIDED BY OTHERS AND IS INTENDED TO BE APPROXIMATE. IT SHALL BE THE CONTRACTOR'S RESPONSIBILITY TO COORDINATE HIS CONSTRUCTION ACTIVITIES WITH THE VARIOUS UTILITY OWNERS. ALL POTENTIAL CONFLICTS SHALL BE INVESTIGATED AND REMEDIAL ACTION TAKEN PRIOR TO INTERRUPTION OF THE CONTRACTOR'S PROGRESS.
- 12.) THE CONTRACTOR SHALL BE RESPONSIBLE FOR PROTECTING UTILITY PROPERTY FROM CONSTRUCTION OPERATIONS AS OUTLINED IN ARTICLE 107.31 OF THE STANDARD SPECIFICATIONS. THE J.U.L.I.E. NUMBER IS 800-892-0123. A MINIMUM OF FORTY-EIGHT HOURS ADVANCE NOTICE IS REQUIRED.
- 13.) ALL ELEVATIONS SHOWN ON THE PLANS ARE BASED ON U.S.G.S. MEAN SEA LEVEL DATUM. ALL STATION AND OFFSET REFERENCES ARE TO THE ROADWAY CENTERLINE UNLESS OTHERWISE NOTED. THE STATE PLANE COORDINATE SYSTEM HAS BEEN USED FOR THE HORIZONTAL CONTROL.
- 14.) THE DISTRICT BUREAU OF OPERATIONS SHALL BE NOTIFIED AT LEAST 14 DAYS PRIOR TO PLACEMENT OF FINAL PAVEMENT MARKINGS (PH: 217-785-5312)
- 15.) THE QUANTITY OF SHORT-TERM PAVEMENT MARKING SHOWN IN THE PLANS IS BASED ON ONE APPLICATION EACH FOR THE MILLED SURFACE, BINDER COURSE, AND SURFACE COURSE.
- 16.) THE QUANTITY OF "MANHOLES TO BE ADJUSTED" SHALL BE DETERMINED BY THE ENGINEER IN THE FIELD. MANHOLES PERCEIVED TO BE AT THE PROPER ELEVATION WILL NOT BE ADJUSTED.

MIXTURE REQUIREMENTS

MIXTURE USE(S)	HOT MIX ASPHALT SURFACE COURSE, MIX "D", N50	LEVELING BINDER (MACHINE METHOD), N50 & TEMPORARY RAMP	HOT MIX ASPHALT BASE COURSE WIDENING 8"	HOT MIX ASPHALT BINDER COURSE	INCIDENTAL HOT MIX ASPHALT SURFACING	HOT MIX ASPHALT SHOULDERS
AC/PG	PG 64-22	PG 64-22	PG 64-22	PG 64-22	PG 64-22	PG 58-22
DESIGN AIR VOIDS	4.0% @ N DESIGN = 50	4.0% @ N DESIGN = 50	4.0% @ N DESIGN = 50	4.0% @ N DESIGN = 50	4.0% @ N DESIGN = 50	2.0% @ N DESIGN = 30
MIXTURE COMPOSITION	IL 9.5 OR 12.5	IL 9.5 ONLY	IL 19.0	IL 19.0	IL 9.5 OR 12.5	BAM
FRICTION AGGREGATE	MIX D	N/A	N/A	N/A	MIX "C"	N/A



COMMITMENTS: NONE

THE FOLLOWING RATES OF APPLICATION HAVE BEEN USED TO CALCULATE THE PLAN QUANTITIES:

HOT MIX ASPHALT MATERIALS (PRIME COAT)	0.00038 TON/SQ. YD. (ON PAVEMENT)
HOT MIX ASPHALT MATERIALS (PRIME COAT)	0.001425 TON/SQ.YD. (ON AGG)
HOT MIX ASPHALT SURFACE / BINDER	0.056 TON/SQ. YD. PER 1"
AGGREGATE MATERIAL	2.05 TON/CU. YD.
RIPRAP	1.5 TON/CU. YD.
NITROGEN FERTILIZER NUTRIENT	90 LBS./ACRE
PHOSPHOROUS FERTILIZER NUTRIENT	90 LBS./ACRE
POTASSIUM FERTILIZER NUTRIENT	90 LBS./ACRE
AGGREGATE PRIME COAT	0.002 TON/SQ. YD.
AGRICULTURAL GROUND LIMESTONE	2.0 TON/ACRE
MULCH	2.0 TON/ACRE

DISTRICT SIX	
EXAMINED	<u>Aug 8</u> 20 <u>07</u>
<i>Tom J. ...</i>	
OPERATIONS ENGINEER	
EXAMINED	<u>July 25</u> 20 <u>07</u>
<i>W.R. ...</i>	
PROGRAM IMPLEMENTATION ENGINEER	
EXAMINED	<u>Dec 11</u> 20 <u>07</u>
<i>W.P. ...</i>	
PROGRAM DEVELOPMENT ENGINEER	

REVISIONS	
NAME	DATE

ILLINOIS DEPARTMENT OF TRANSPORTATION

GENERAL NOTES

SCALE: VERT. _____
HORIZ. _____

DATE: _____ DRAWN BY: _____
CHECKED BY: _____

PLOT DATE = Dec-12-2007 09:27:09PM
 FILE NAME = c:\pvc\jessica\ad51881\plott\gennotes.dgn
 PLOT SCALE = 42.3539' / IN.
 USER NAME = laughlin-1