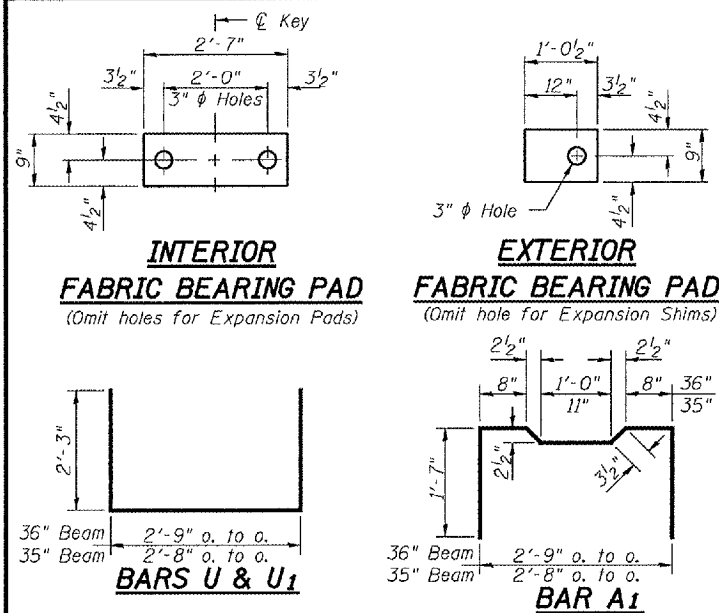


STATE OF ILLINOIS
DEPARTMENT OF TRANSPORTATION

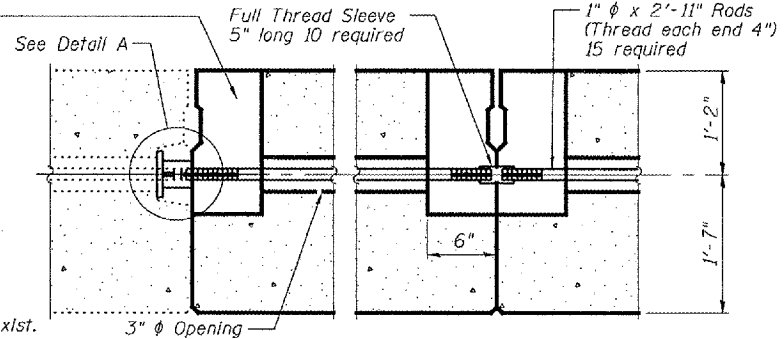
ROUTE NO.	SECTION	COUNTY	TOTAL SHEETS	SHEET NO.
		Schuyler	12	10
FED. ROAD DIST. NO. 7 ILLINOIS FED. AID PROJECT				

SHEET NO. 2
4 SHEETS

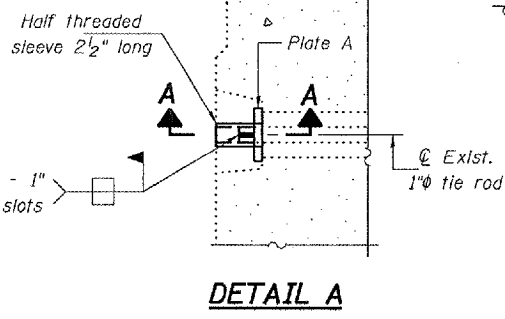
Contract Number: 72B65



6" x 6" x 16 1/2" Blockout to be filled with Class BS Concrete after Beams have been installed. Quantity included with "PPC Deck Beams (33" Depth)"



TYPICAL TRANSVERSE TIE ASSEMBLY

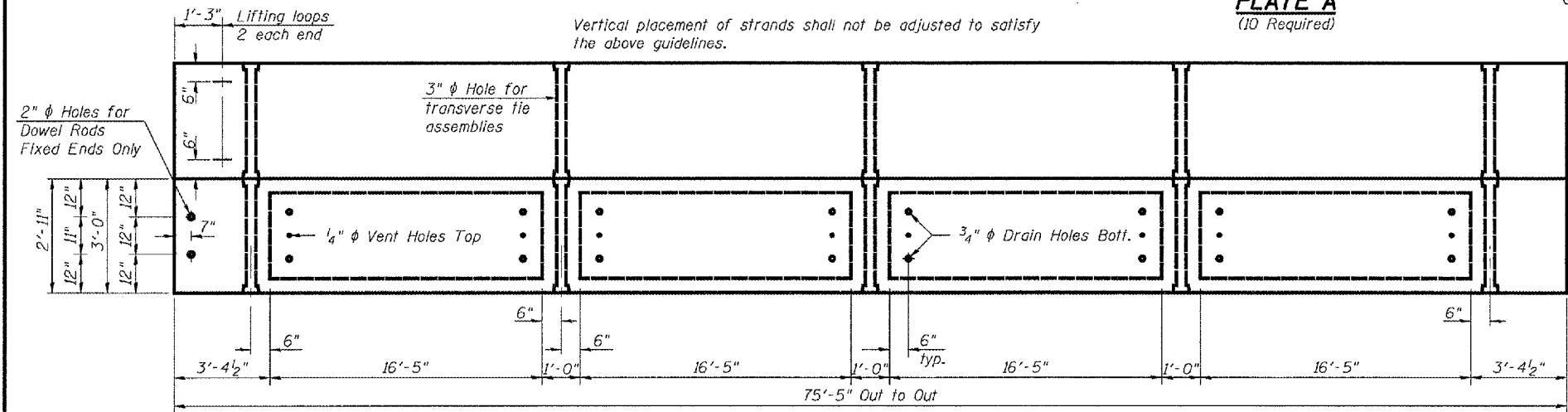


DETAIL A

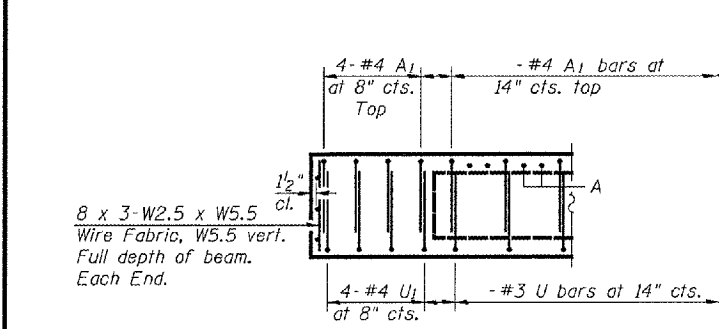
TRANSVERSE PLACEMENT GUIDELINES

1. Place strands symmetrically about centerline of beam.
2. The minimum distance from center to center of strands in all directions shall be 2".
3. The minimum clearance from strand to dowel hole shall be 1/2".
4. The minimum clearance from strand to void shall be 1/2".

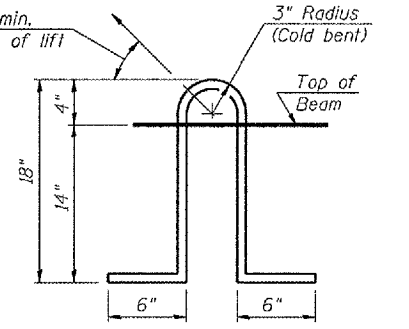
Vertical placement of strands shall not be adjusted to satisfy the above guidelines.



PLAN



END ELEVATION



LIFTING LOOP DETAIL

NOTES

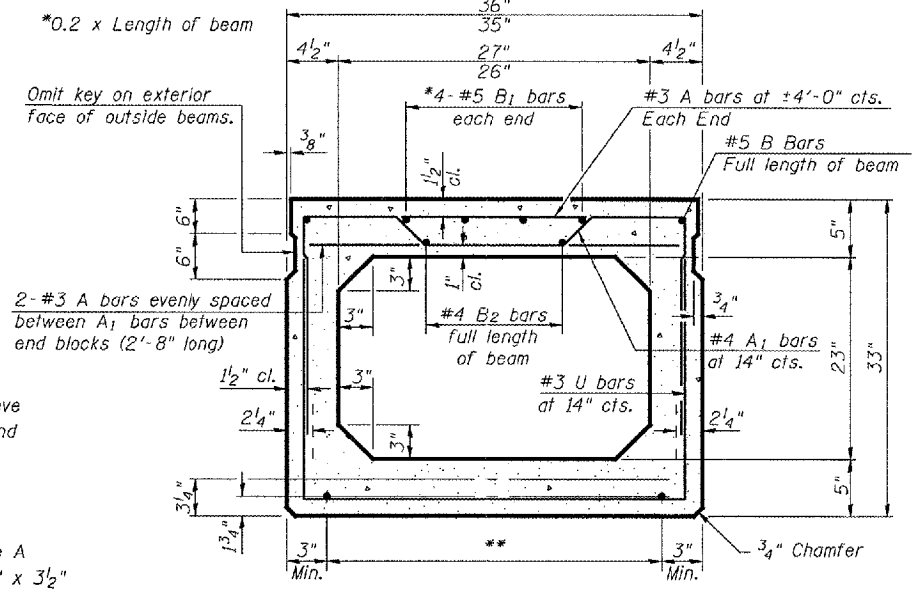
Prestressing steel shall be uncoated high strength, low relaxation 7-wire strand, Grade 270. The nominal diameter shall be 1/2" and the nominal cross-sectional area shall be 0.153 sq. in. Lifting loops shall be 3 - 1/2" diameter x 270 ksi strands, as shown. The 1" rods in the transverse tie assembly shall be tightened to a snug fit and the threads set. Pockets that receive transverse tie bar on outside shall be filled with grout after transverse tie assembly is in place.

Non prestressing steel shall conform to ASTM A 706 (1L MOD), Grade 60. The bearing seal surfaces shall be adjusted by shimming to assure firm and even bearing. Two 1/8" fabric adjusting shims of the dimensions of the Exterior Bearing Pad shall be provided for each bearing.

Keyway surfaces shall be cleaned to remove form oil or other bond breaking material prior to shipment of the beams. Cleaning shall be done by sandblasting the keyway areas between top of the beam and the bottom edge of the key.

Corrosion Inhibitor, per Article 1020.05(b)(12) of the Standard Specifications, shall be used in the concrete for precast prestressed concrete deck beams. Required Release Strength, f'ci, shall be 4,000 p.s.i.

The cut strands at each beam end shall be given two coats of zinc dust spray or paint meeting the requirements of ASTM A780. The zinc dust spray or paint shall be applied before corrosion appears and allowed to dry according to manufacturer's specifications prior to another coat of zinc. A concrete sealer meeting the requirements of Section 587 of the Standard Specifications shall be applied to the exterior face and 9" in on the underside of each fascia beam. The sealer shall be applied after visible crack growth has subsided. This work shall be performed by the producer and included with the cost of the beam.

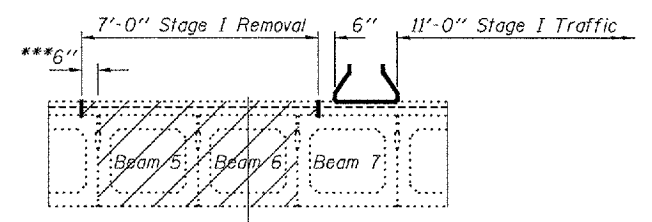


TYPICAL SECTION

1/2" diameter Strands, Each Strand Stressed to 30,900 Lbs.
8-Strands 1 3/4" up, 5-Strands 3/4" up, 2-Strands 6" up, 2-Strands 9" up

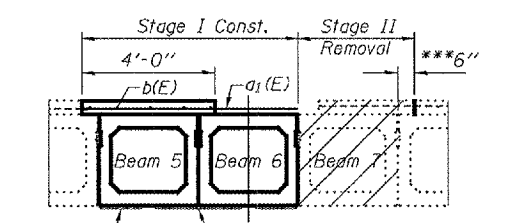
SECTION A-A

(10 Required)



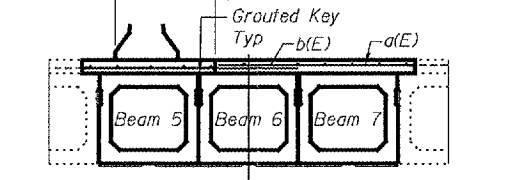
PARTIAL SPAN 3 CROSS SECTION

(Showing Stage I removal)



PARTIAL SPAN 3 CROSS SECTION

(Showing Stage I const. & Stage II removal)



PARTIAL SPAN 3 CROSS SECTION

(Showing Stage II const.)

BILL OF MATERIAL

Precast Prestressed Conc. Deck Bms. (33" Depth)	Sq. Ft.	673
---	---------	-----

BEAM DETAILS

IL 101
SCHUYLER COUNTY
SN 085-0016

DESIGNED	V.H.V.
CHECKED	A.J.B.
DRAWN	Drew Christopher
CHECKED	V.H.V. A.J.B.

January 8, 2007
EXAMINED
PASSED

PD-5-S 11-1-06