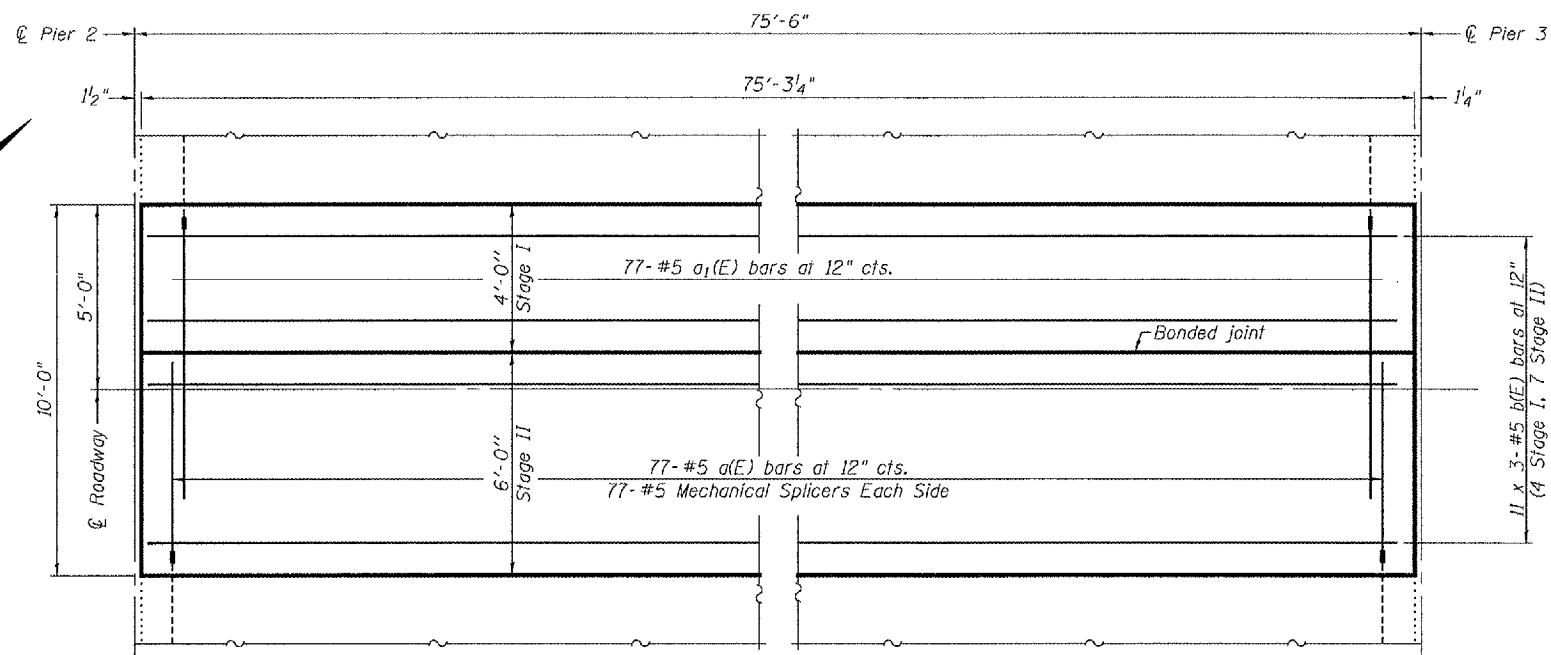


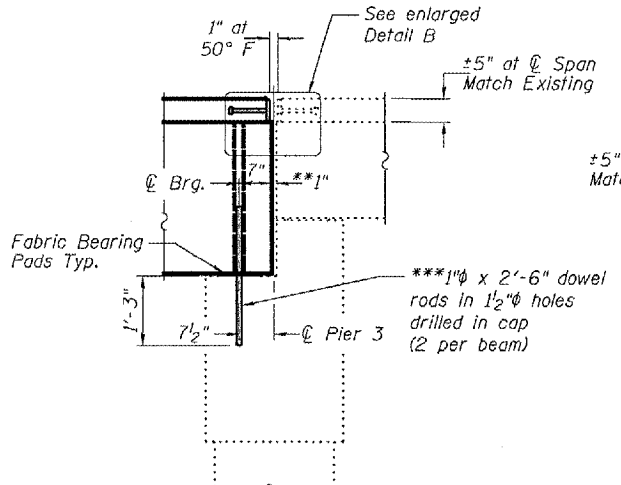
STATE OF ILLINOIS
DEPARTMENT OF TRANSPORTATION

ROUTE NO.	SECTION	QUANTITY	DATE	BY	SHEET NO. 3 4 SHEETS
		Schuyler	12	11	
FED. ROAD DIST. NO. 7	PLAN NO.	FED. AID PROJECT			

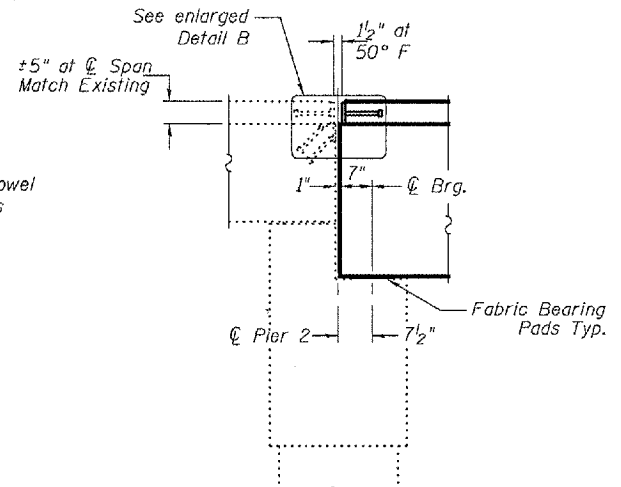
Contract Number: 72B65



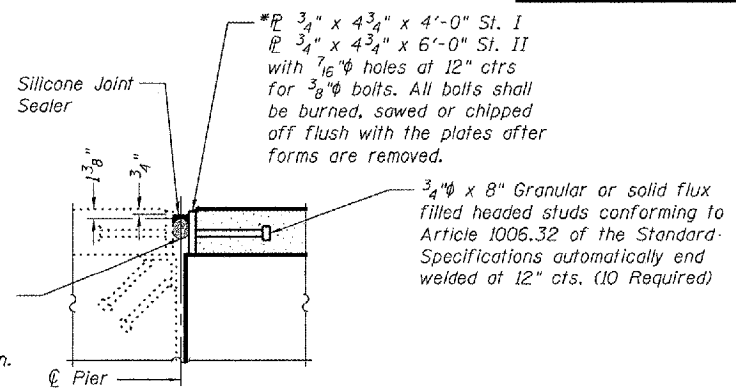
PARTIAL OVERLAY PLAN SPAN 3



TYPICAL SECTION AT PIER 3

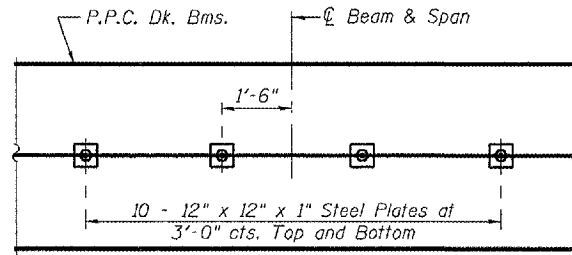


TYPICAL SECTION AT PIER 2



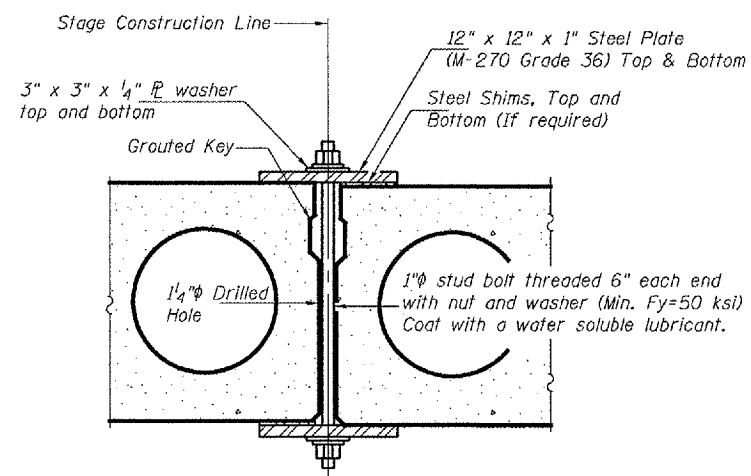
ENLARGED DETAIL B

Cost of \bar{r} and studs is included with Concrete Wearing Surface.
* Seal space between existing and new \bar{r} 's with silicone sealant suitable for Structural Steel. Cost of silicone sealant is included with Concrete Wearing Surface.



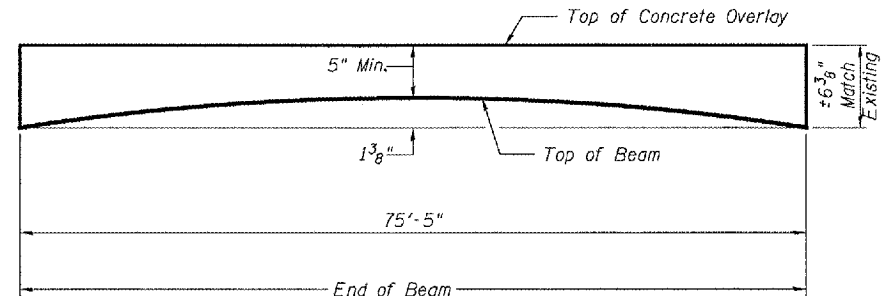
PLAN

*1" Joint shall be filled with non-shrink grout. Dimension may vary to accommodate tolerance in beam lengths.
**Existing dowel rods are to be burned off, ground flush, and sealed with epoxy prior to placement of new beams. Cost included in Removal of Existing PPC Deck Beams. After beams have been erected holes shall be drilled into cap and dowel rods placed. Dowel holes shall be filled with non-shrink grout to top of beam and allowed to cure a minimum of 24 hours prior to grouting the shear keys.



SECTION

Min Bar lap
#5 = 2'-2"

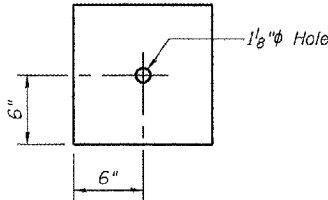


ANTICIPATED INITIAL CAMBER DIAGRAM

BILL OF MATERIAL

Bar	No.	Size	Length	Shape
a(E)	77	#5	5'-9"	
a1(E)	77	#5	6'-1"	
b(E)	33	#5	26'-6"	
Concrete Removal			Cu. Yd.	1.3
Concrete Wearing Surface			Sq. Yd.	83.6
Reinforcement Bars, Epoxy Coated			Lbs.	1860

Bars indicated thus 11 x 3-#5 etc. indicates 11 lines of bars with 3 lengths per line.



CLAMPING PLATE

Notes:
See Special Provisions for Stage Construction Precast Prestressed Concrete Deck Beams.
See Stage Construction Detail for traffic lane.
Cost is included with Precast Prestressed Concrete Deck Beams.

DESIGNED	V.H.V.
CHECKED	A.J.B.
DRAWN	Drew Christopher
CHECKED	V.H.V. A.J.B.

January 8, 2007
EXAMINED *Carl Prosser*
ENGINEER OF STRUCTURAL SERVICES
PASSED *Ralph E. Anderson*
ENGINEER OF BRIDGES AND STRUCTURES

PLAN AND ELEVATION
IL 101
SCHUYLER COUNTY
SN 085-0016