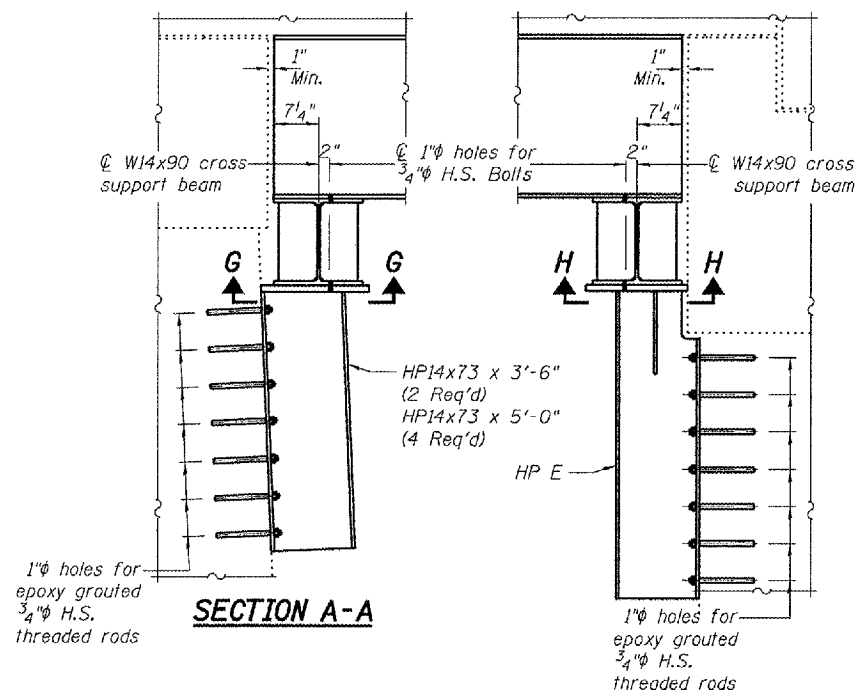


STATE OF ILLINOIS
DEPARTMENT OF TRANSPORTATION

ROUTE NO.	SECTION	COUNTY	DATE	SHEET NO.
		Schuyler	12	12
FED. ROAD DIST. NO. 7		ILLINOIS	FED. AID PROJECT	

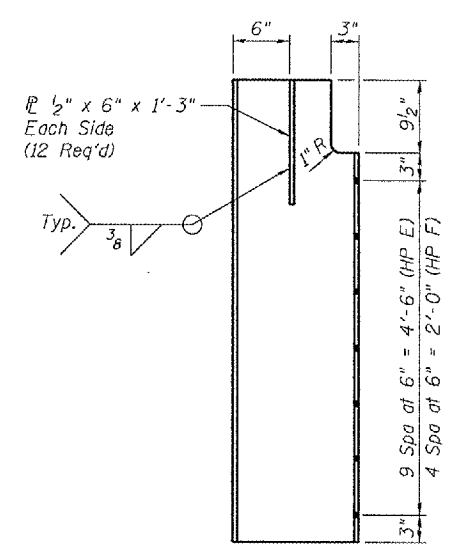
Contract Number: 72B65

SHEET NO. 4
4 SHEETS



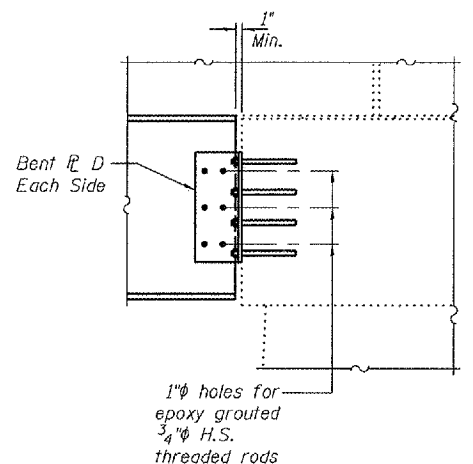
SECTION A-A

SECTION B-B

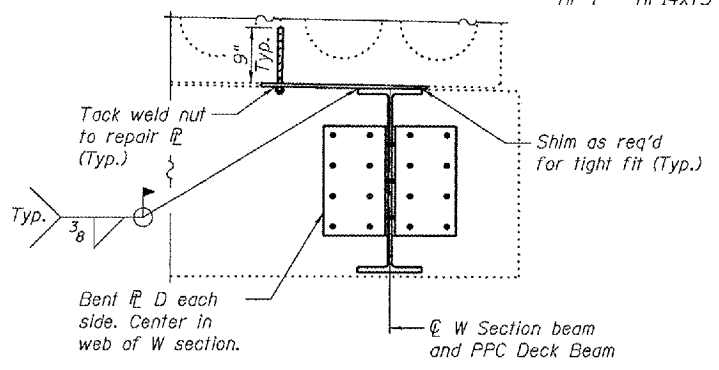


HP E & F

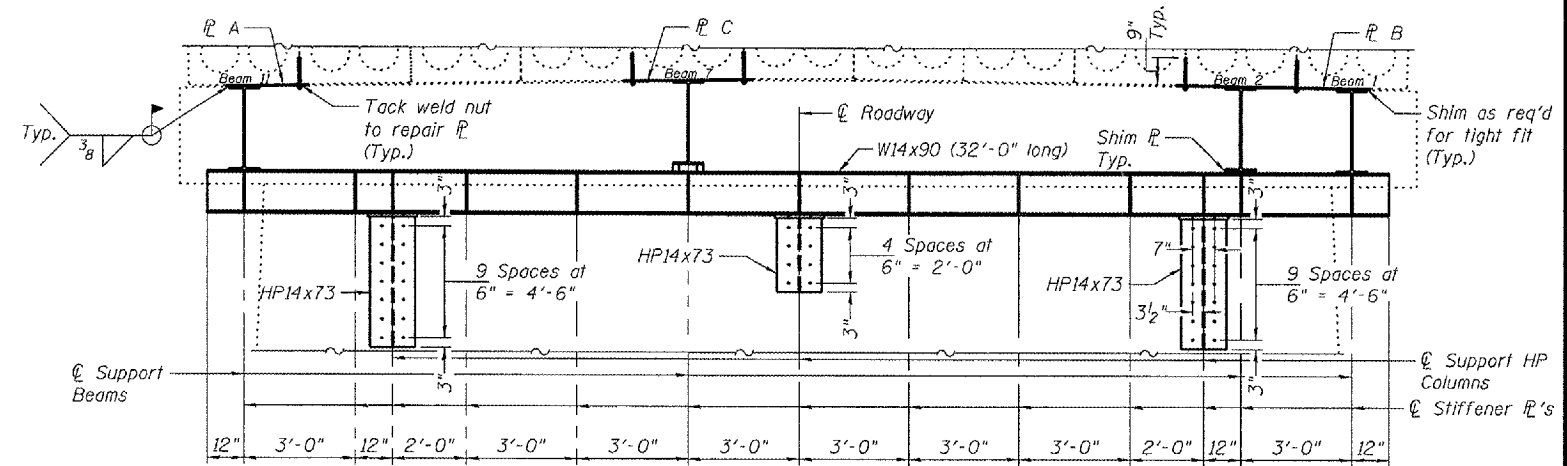
HP E - HP14x73 x 5'-9 1/2" (4 Req'd)
HP F - HP14x73 x 3'-3 1/2" (2 Req'd)



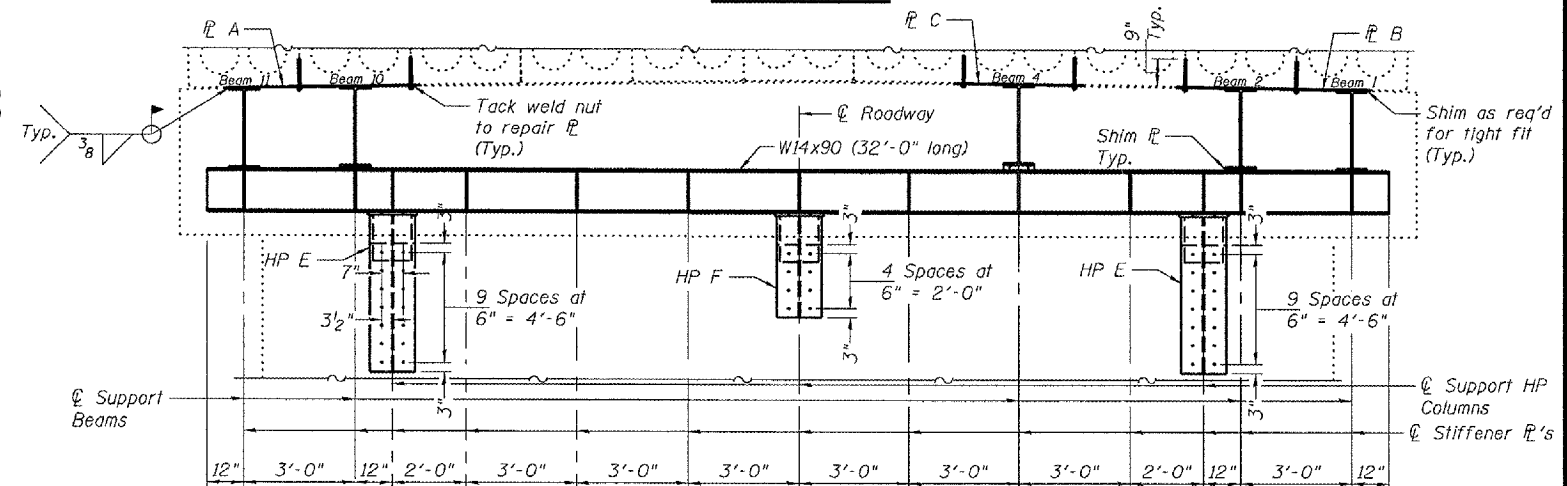
SECTION C-C



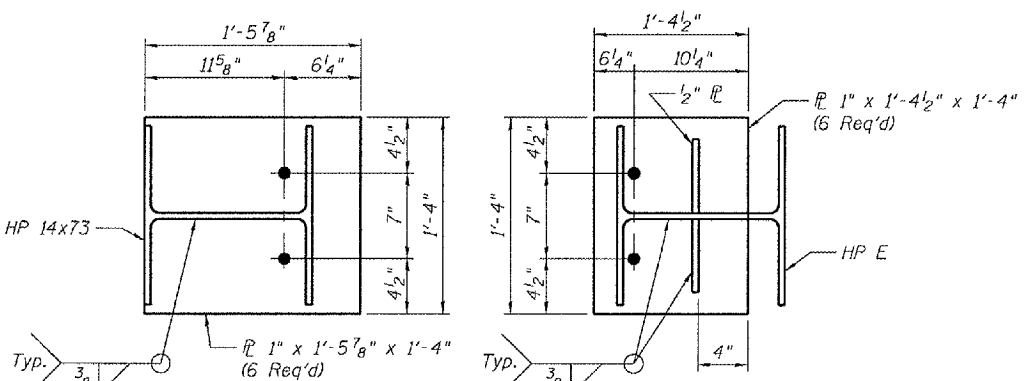
SECTION F-F



SECTION D-D

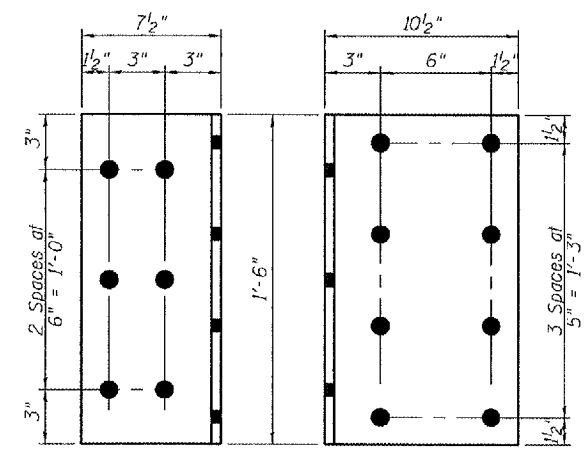


SECTION E-E



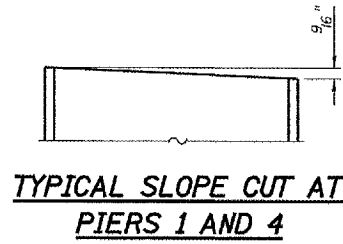
SECTION G-G

SECTION H-H



BENT P D

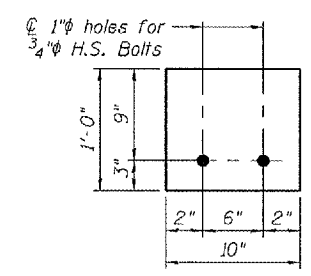
P 1/2" x 1'-6" x 1'-6" (12 Req'd)



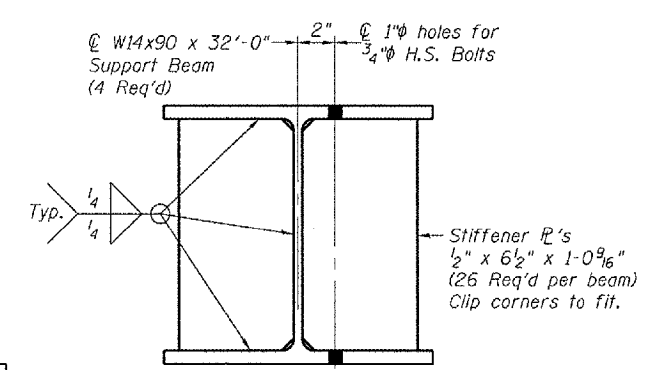
TYPICAL SLOPE CUT AT PIERS 1 AND 4

SHIM P THICKNESS

Deck Beam	10" x 14 1/2" x 1"
2	1/16"
4	3/16"
7	1/4"
10	9/16"



TYPICAL SHIM



TYPICAL SUPPORT BEAM SECTION

DESIGNED	V.H.V.
CHECKED	A.J.B.
DRAWN	Drew Christopher
CHECKED	V.H.V. A.J.B.

January 8, 2007
EXAMINED *Carl Proyer*
PASSED *Ralph E. Anderson*
ENGINEER OF BRIDGES AND STRUCTURES

PLAN AND ELEVATION
IL 101
SCHUYLER COUNTY
SN 085-0016