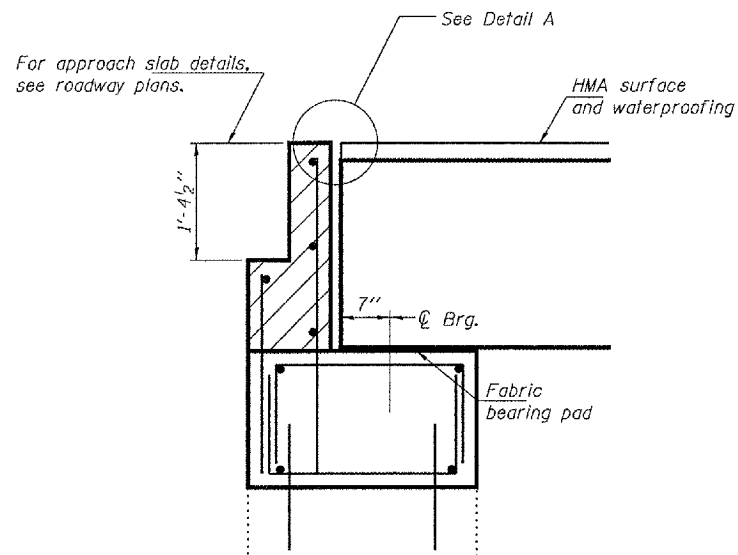


STATE OF ILLINOIS  
DEPARTMENT OF TRANSPORTATION

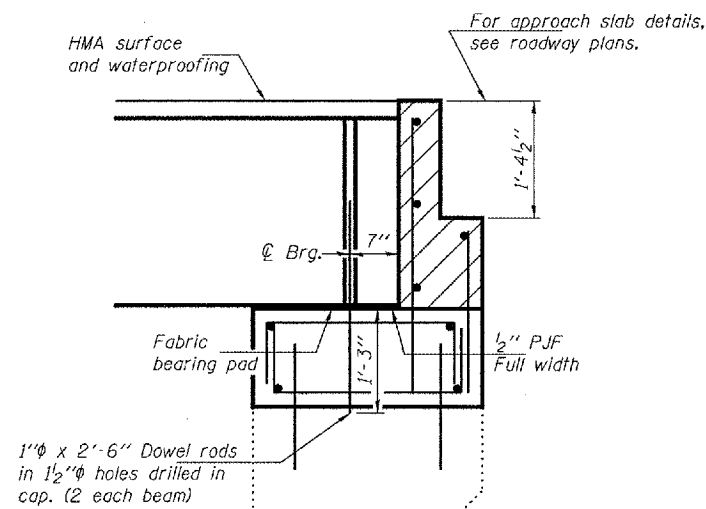
ROUTE NO.	SECTION	COUNTY	DATE	SHEET
IL 97		SANGAMON	10	7
FED. ROAD DIST. NO. 7	ALLIANCE	FED. AID PROJECT		

SHEET NO. 5  
8 SHEETS

Contract Number: 72B69

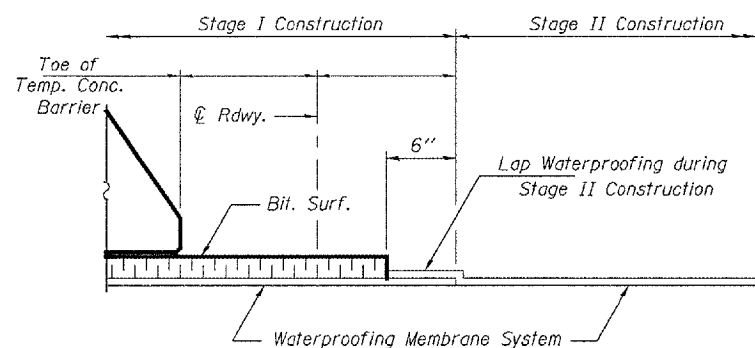


SECTION THRU E. ABUTMENT

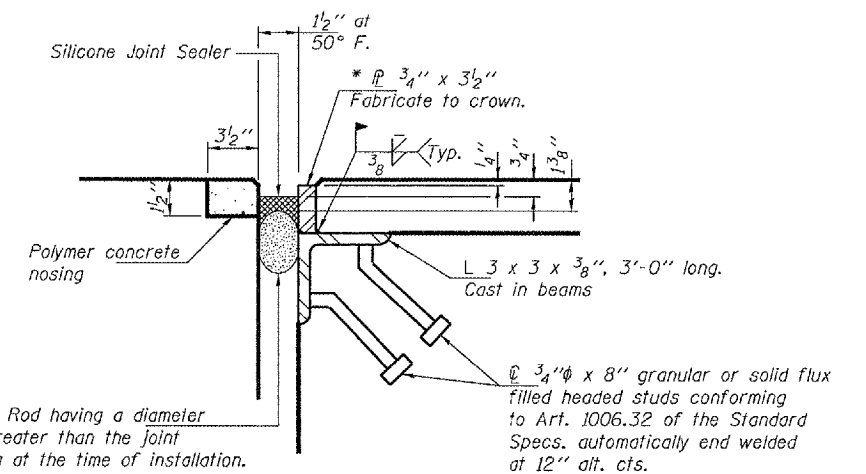


SECTION THRU W. ABUTMENT

Notes:  
After beams have been erected, holes shall be drilled into substructure and anchor dowels placed. Dowel holes shall be filled with non-shrink grout to top of beam and allowed to cure min. 24 hrs. prior to grouting the shear keys.  
Hatched area to be poured after beams are in place.

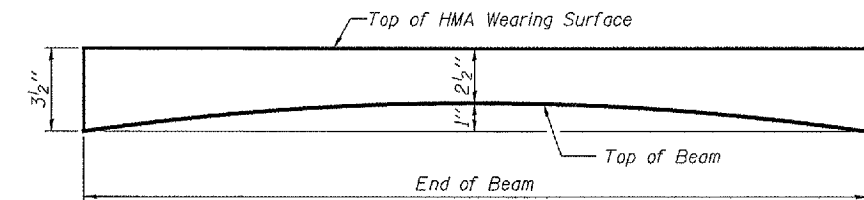


WATERPROOFING TREATMENT  
AT STAGE CONSTRUCTION



DETAIL A

\* Furnish in segments of 20 ft. maximum length. Maximum space between installed segments shall be 3/16". Seal space with Silicone Sealant suitable for Structural Steel. After fabrication, all surfaces of the steel  $\varnothing$  shall be given one shop coat of paint specified for structural steel. No field painting required. Cost included with HMA overlay.



ANTICIPATED INITIAL CAMBER DIAGRAM

DESIGNED	VHV
CHECKED	ATH
DRAWN	baliva
CHECKED	VHV ATH

JANUARY 22, 2008  
EXAMINED *Carl Proyer*  
ENGINEER OF STRUCTURAL SERVICES  
PASSED *Ralph E. Anderson*  
ENGINEER OF BRIDGES AND STRUCTURES

JOINT DETAILS  
IL. 97 OVER PRAIRIE CREEK  
SANGAMON COUNTY  
SN 084-0046