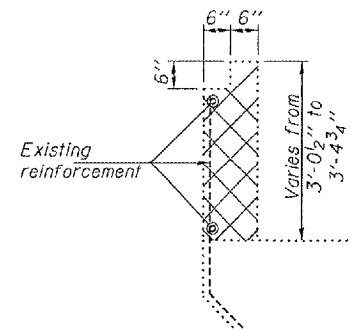


STATE OF ILLINOIS  
DEPARTMENT OF TRANSPORTATION

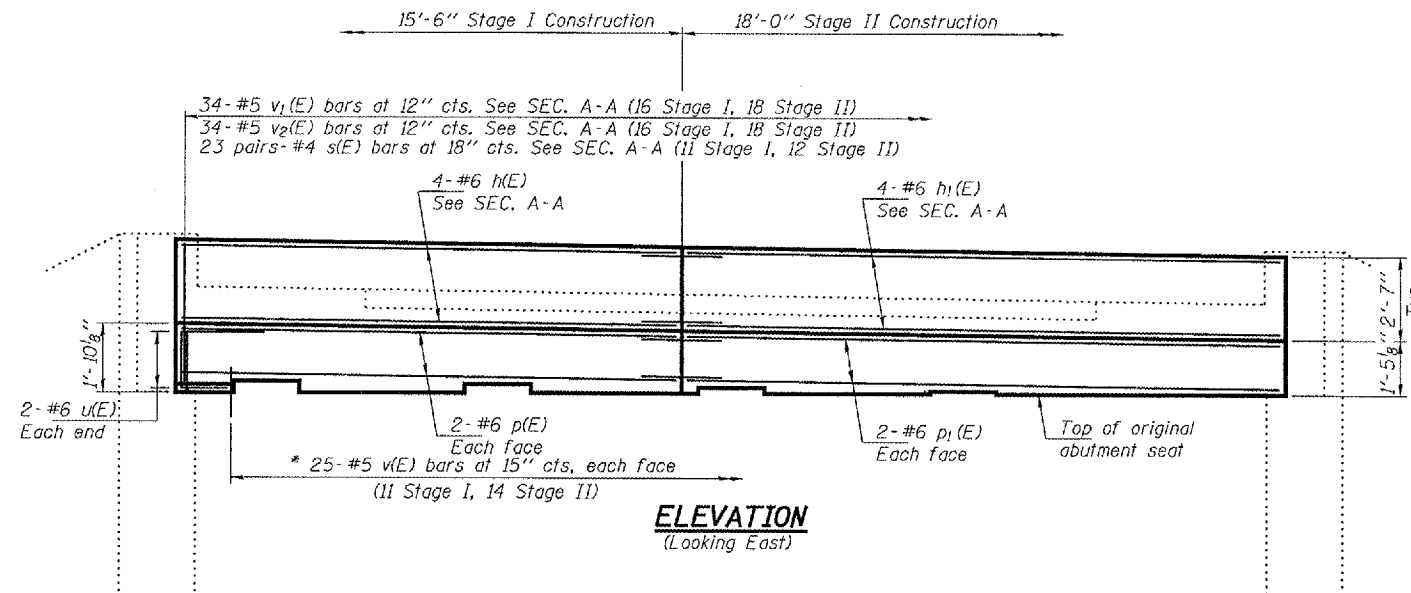
|                       |         |          |                   |           |
|-----------------------|---------|----------|-------------------|-----------|
| ROUTE NO.             | SECTION | QUANTITY | SHEETS            | SHEET NO. |
| IL 97                 |         | SANGAMON | 10                | 8         |
| FED. ROAD DIST. NO. 7 |         | ILLINOIS | FED. ROAD PROJECT |           |

SHEET NO. 6  
8 SHEETS

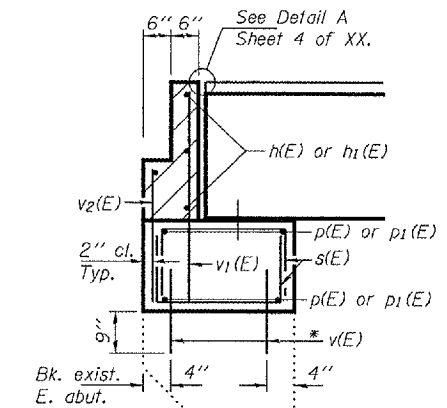
Contract Number: 72869



SEC. THRU EXIST. ABUT.

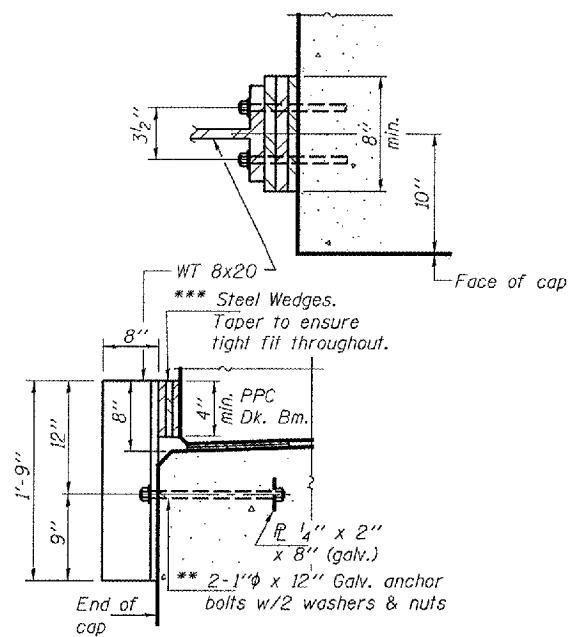


ELEVATION  
(Looking East)



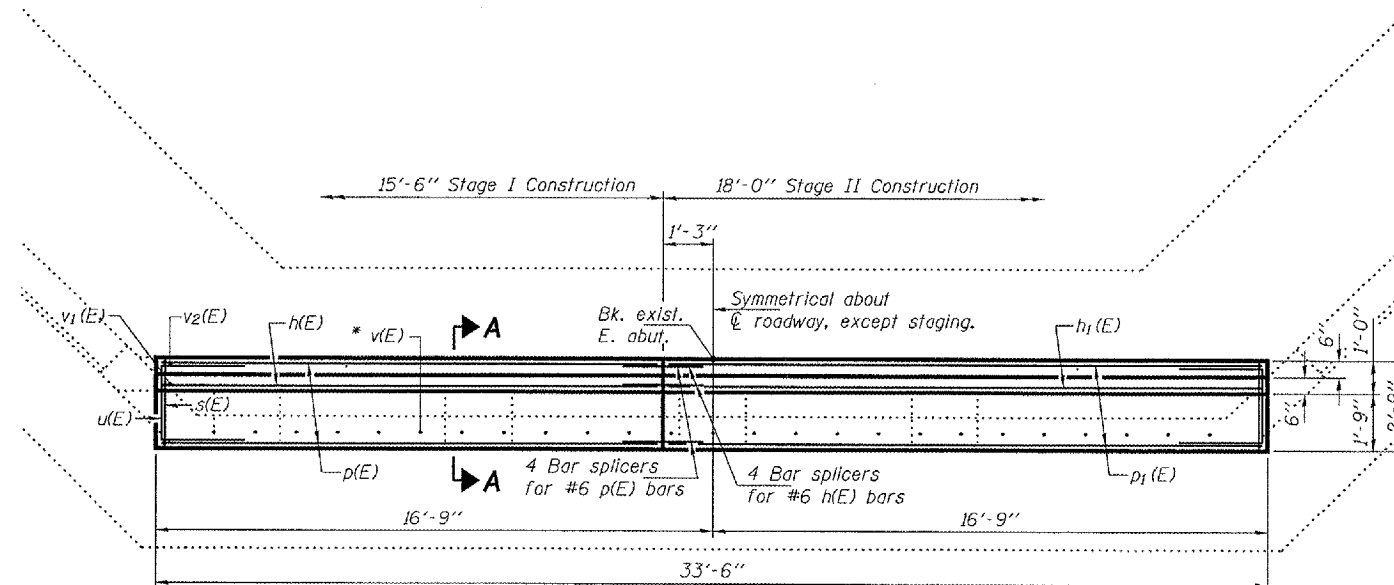
SECTION A-A

\* Epoxy grout v(E) bars in 9" min. holes according to Article 584 of the Standard Specifications.

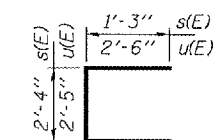


RETAINER

\*\* Anchor bolts may be cast into the masonry or approved threaded rod may be placed in drilled holes and grouted in place. Cost of retainer and accessories are included with Erecting Precast Prestressed Concrete Deck Beams.  
\*\*\* Wedges to be removed after overlay is placed.



PLAN



BARS s(E) & u(E)

**FOR INFORMATION ONLY**

BILL OF MATERIAL

| Bar                              | No. | Size | Length  | Shape |
|----------------------------------|-----|------|---------|-------|
| h(E)                             | 4   | #6   | 15'-2"  | —     |
| h <sub>1</sub> (E)               | 4   | #6   | 17'-8"  | —     |
| p(E)                             | 4   | #6   | 15'-2"  | —     |
| p <sub>1</sub> (E)               | 4   | #6   | 17'-8"  | —     |
| s(E)                             | 46  | #4   | 4'-10"  | □     |
| u(E)                             | 4   | #6   | 7'-5"   | C     |
| v(E)                             | 50  | #5   | 1'-6"   | —     |
| v <sub>1</sub> (E)               | 34  | #5   | 3'-6"   | —     |
| v <sub>2</sub> (E)               | 34  | #5   | 2'-0"   | —     |
| Concrete Removal                 |     |      | Cu. Yd. | 3.7   |
| Concrete Structures              |     |      | Cu. Yd. | 5.6   |
| Concrete Superstructure          |     |      | Cu. Yd. | 2.4   |
| Reinforcement Bars, Epoxy Coated |     |      | Pound   | 860   |

Notes:

Hatched area to be poured after beams are in place.  
Cost of concrete included with Concrete Superstructure.  
Cross hatched area indicates Concrete Removal.  
All edges shall have standard 3/4" chamfers except as noted.  
Removal of concrete between T-girder stems at abutments is included with Removal of Existing Superstructures.

**EAST ABUTMENT**  
**IL. 97 OVER PRAIRIE CREEK**  
**SANGAMON COUNTY**  
**SN 084-0046**

|          |         |
|----------|---------|
| DESIGNED | VHV     |
| CHECKED  | ATH     |
| DRAWN    | baliva  |
| CHECKED  | VHV ATH |

JANUARY 22, 2008  
EXAMINED *Carl Perry*  
ENGINEER OF STRUCTURAL SERVICES  
PASSED *Ralph E. Anderson*  
ENGINEER OF BRIDGES AND STRUCTURES