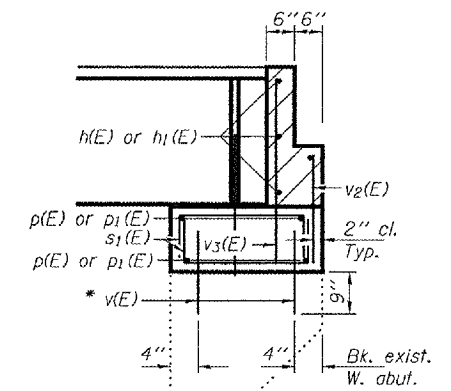
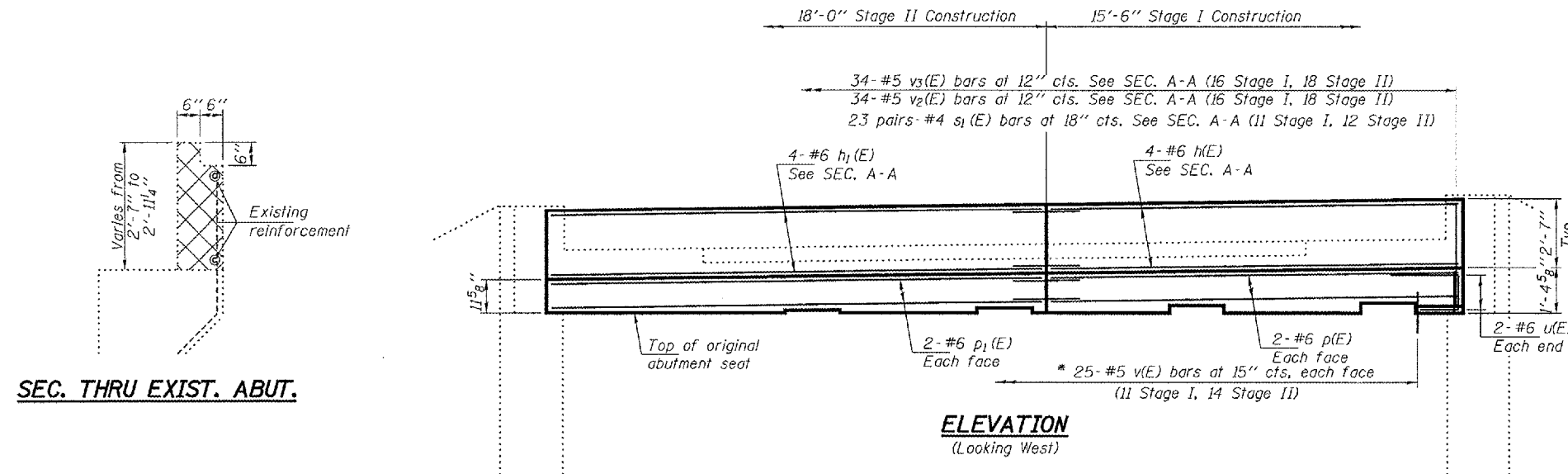


STATE OF ILLINOIS
DEPARTMENT OF TRANSPORTATION

ROUTE NO.	SECTION	COUNTY	TOTAL SHEETS	SHEET NO.
IL 97		SANGAMON	10	9
FED. ROAD DIST. NO. 3	LAUNCHER	FED. AID PROJECT		

SHEET NO. 7
8 SHEETS

Contract Number: 72869

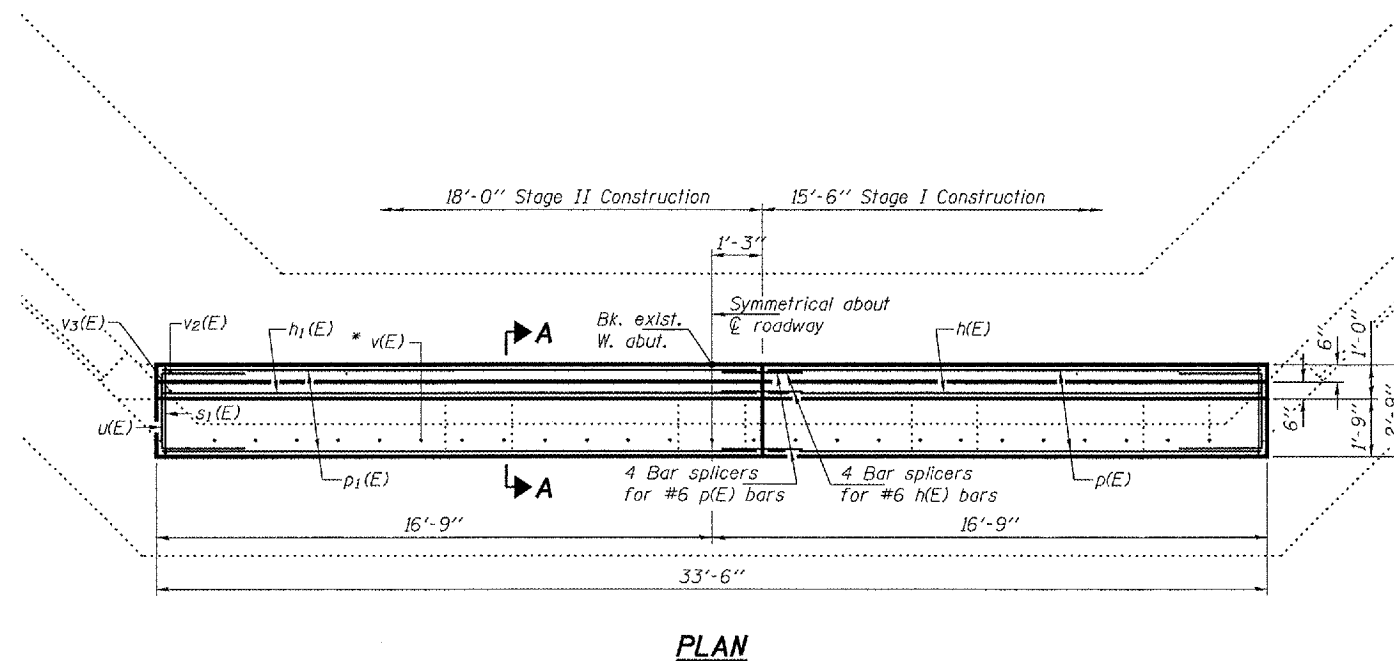


SECTION A-A
* Epoxy grout v(E) bars in 9" min. holes according to Article 584 of the Standard Specifications.

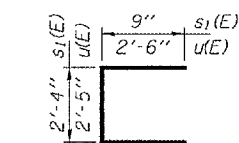
SEC. THRU EXIST. ABUT.

ELEVATION
(Looking West)

FOR INFORMATION ONLY



PLAN



BARS s1(E) & u(E)

BILL OF MATERIAL

Bar	No.	Size	Length	Shape
h(E)	4	#6	15'-2"	—
h1(E)	4	#6	17'-8"	—
p(E)	4	#6	15'-2"	—
p1(E)	4	#6	17'-8"	—
s1(E)	46	#4	3'-10"	□
u(E)	4	#6	7'-5"	C
v(E)	50	#5	1'-6"	—
v2(E)	34	#5	2'-0"	—
v3(E)	34	#5	3'-1"	—
Concrete Removal			Cu. Yd.	3.1
Concrete Structures			Cu. Yd.	4.0
Concrete Superstructure			Cu. Yd.	2.4
Reinforcement Bars, Epoxy Coated			Pound	820

DESIGNED	VHV
CHECKED	ATH
DRAWN	baliva
CHECKED	VHV ATH

JANUARY 22, 2008
EXAMINED *Carl Proyer*
ENGINEER OF STRUCTURAL SERVICES
PASSED *Ralph E. Anderson*
ENGINEER OF BRIDGES AND STRUCTURES

Notes:
Hatched area to be poured after beams are in place.
Cost of concrete included with Concrete Superstructure.
Cross hatched area indicates Concrete Removal.
All edges shall have standard 3/4" chamfers except as noted.
Removal of concrete between T-girder stems at abutments is included with Removal of Existing Superstructures.

WEST ABUTMENT
IL. 97 OVER PRAIRIE CREEK
SANGAMON COUNTY
SN 084-0046