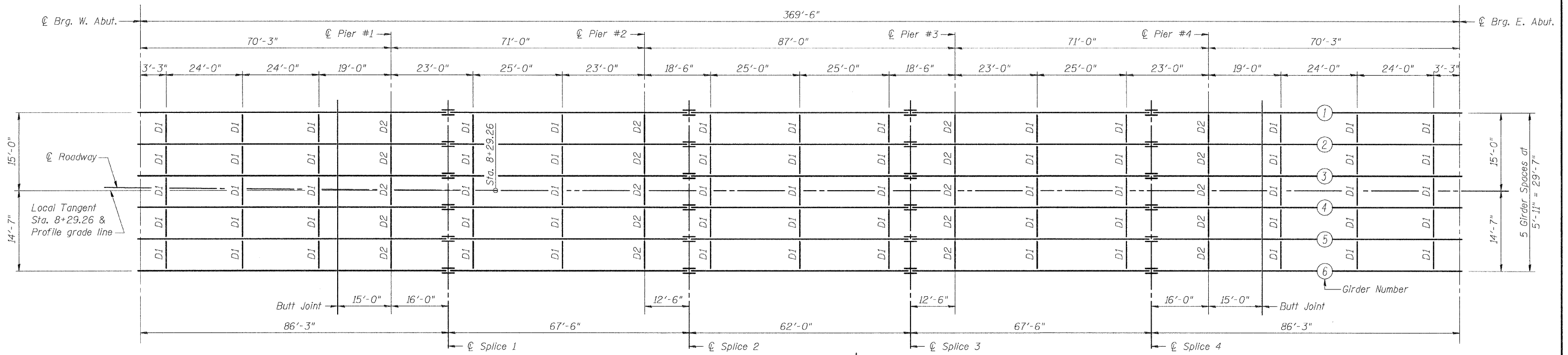


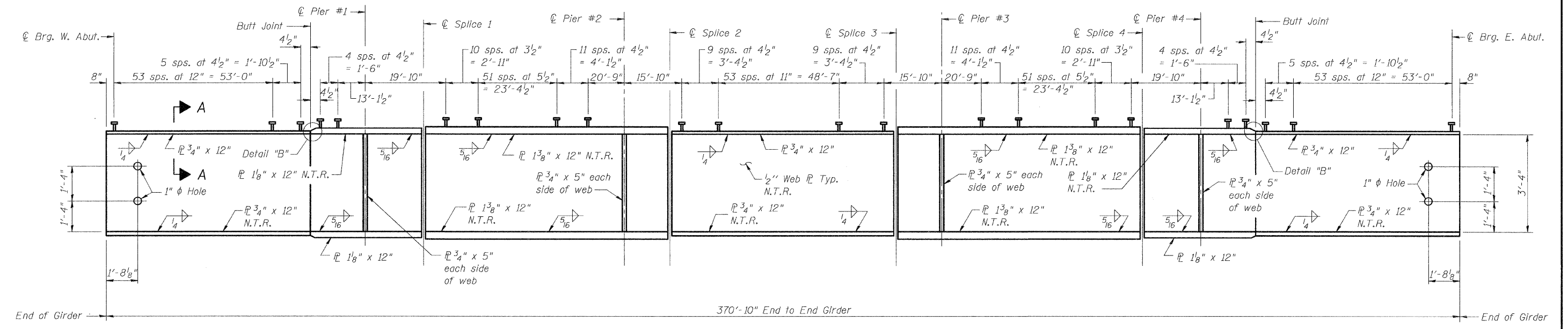
12/14/2007 11:59:36 AM
 P:\02files\020409\02-0409.028 wo 17 bridge plans\bridge plans\014-0077_13-StructuralSteel.dgn

ROUTE NO.	SECTION	COUNTY	TOTAL SHEETS	SHEET NO.	SHEET NO. 13
F.A.S. 1780	27-1BR-1	CLINTON	69	38	27 SHEETS
FED. ROAD DIST. NO. 8	ILLINOIS	FED. AID PROJECT			

Contract # 76961

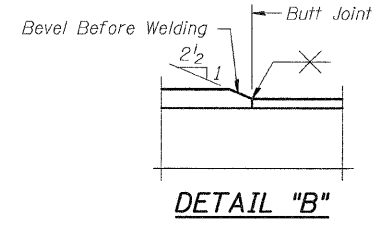
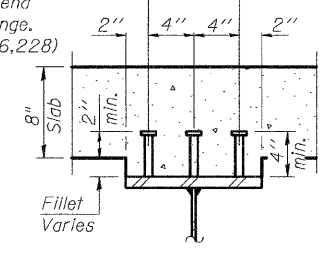


FRAMING PLAN



GIRDER ELEVATION
 "NTR" denotes plates to which notch toughness requirements are applicable.

3/4" φ Granular or solid
 Flux filled headed studs
 automatically end
 welded to flange.
 (No. Req'd. = 6,228)



DESIGNED	ADL
CHECKED	WLW
DRAWN	BGJ
CHECKED	WLW

Notes:
 All diaphragms shall be installed as steel is erected and secured with erection pins and bolts except as otherwise noted. Individual diaphragms at supports may be temporarily disconnected to install bearing anchor rods.
 Load carrying components designated "NTR" shall conform to the Supplemental Requirements for Notch Toughness, Zone 2.

STRUCTURAL STEEL
FAS RTE 1780 (OLD US 50) OVER
SUGAR CREEK
SECTION 27-1BR-1
CLINTON COUNTY
STATION 9+14.50
STRUCTURE NUMBER 014-0077