

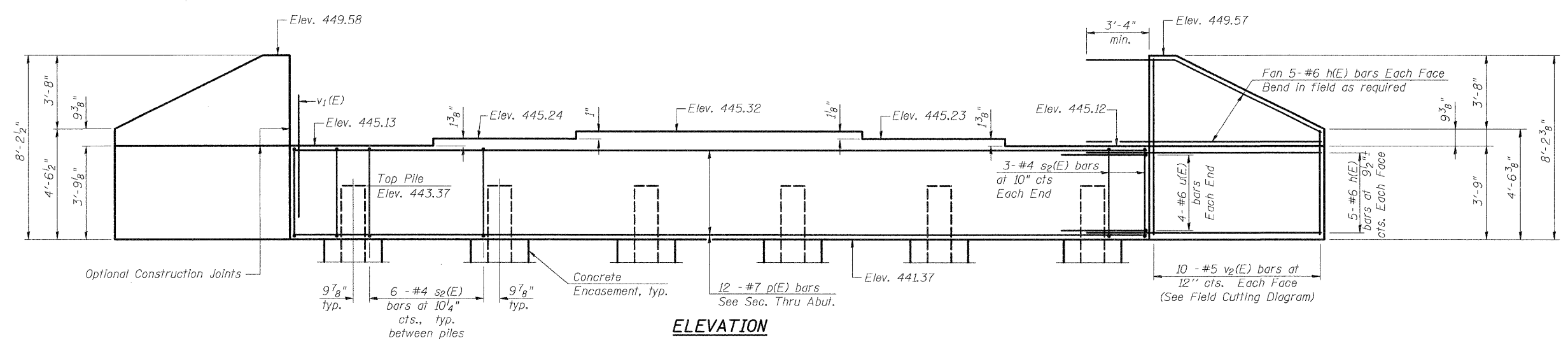
12/14/2007 11:59:38 AM

ps:\02files\020409\02-0409.028 wo 17 bridge plans\bridge plans\014-0077-17-Westabut.dgn

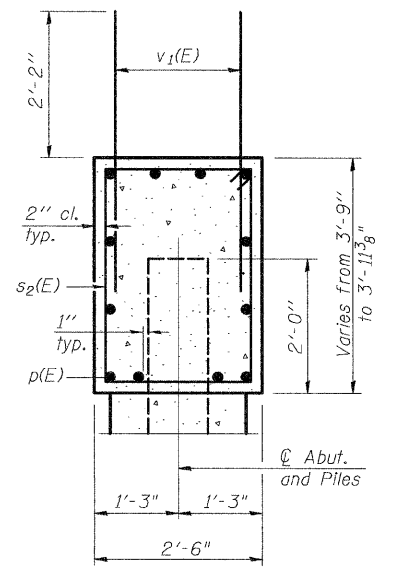
ROUTE NO.	SECTION	COUNTY	TOTAL SHEETS	SHEET	SHEET NO. 17
F.A.S. 1780	27-1BR-1	CLINTON	41	42	27 SHEETS
FED. ROAD DIST. NO. 8	ILLINOIS	FED. AID PROJECT-			

Contract # 76961

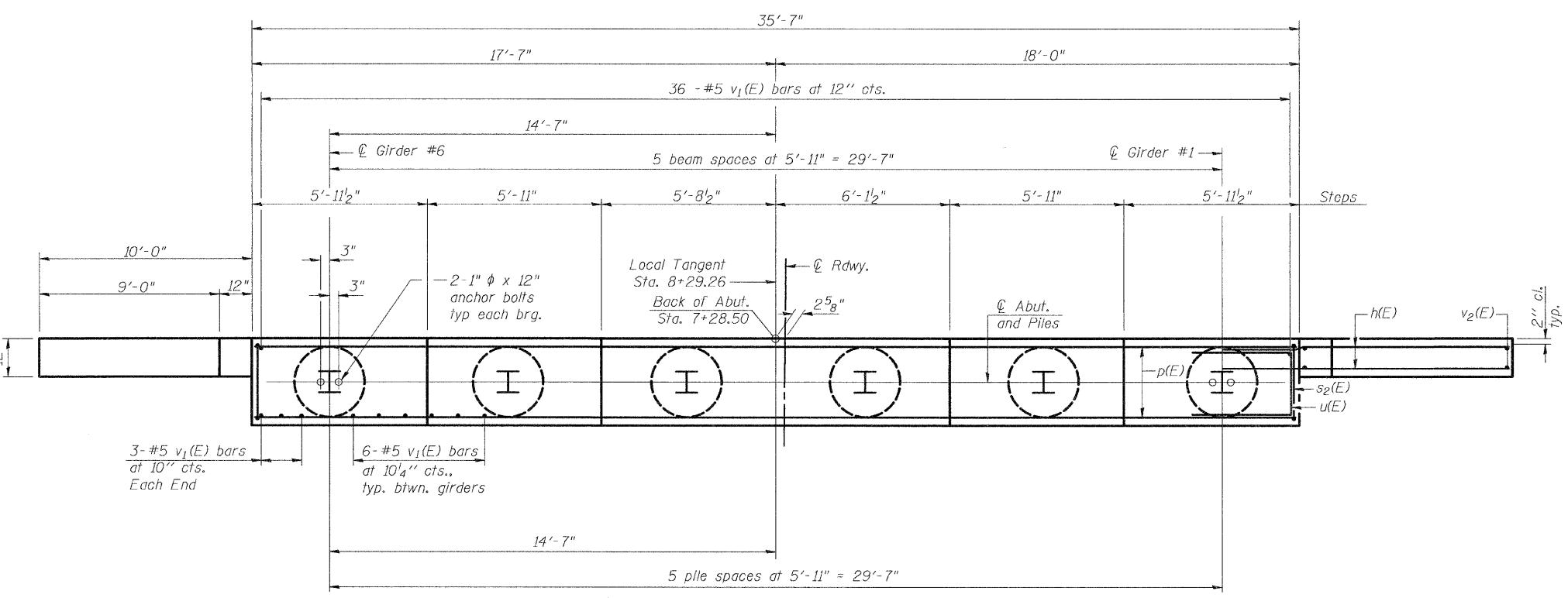
Notes: Pour steps monolithically with cap.
Space reinforcement to miss anchor bolts.



ELEVATION



SEC. THRU ABUT.



PLAN

BILL OF MATERIAL

Bar	No.	Size	Length	Shape
h(E)	40	#6	13'-4"	—
p(E)	12	#7	35'-3"	—
s2(E)	33	#4	12'-1"	□
u(E)	8	#6	8'-10"	U
v1(E)	72	#5	4'-4"	—
v2(E)	40	#5	12'-4"	—
Structure Excavation		Cu. Yd.	81	
Concrete Structures		Cu. Yd.	17.6	
Reinforcement Bars, Epoxy Coated		Pound	2880	
Furnishing Steel Piles, HP12x53		Foot	200	
Driving Piles		Foot	200	
Test Pile Steel HP12x53		Each	1	
Concrete Encasement		Cu. Yd.	2.1	

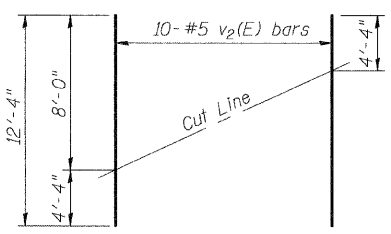
For details of piles and Concrete Encasement, see sheet 24 of 27.

PILE DATA

Type: Steel HP 12x53
Nominal Required Bearing: 419 kips
Factored Resistance Available: 209 kips
Est. Length: 40'-0"
No. Production Piles: 5
No. Test Piles: 1

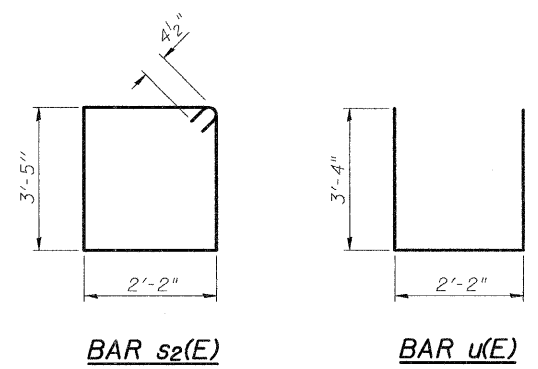
DESIGNED	ADL
CHECKED	WLW
DRAWN	BGJ
CHECKED	WLW

AI-0 11-1-06



FIELD CUTTING DIAGRAM

Order v2(E) full length. Cut as shown and use remainder of bars in opposite face.



WEST ABUTMENT
FAS RTE 1780 (OLD US 50) OVER SUGAR CREEK
SECTION 27-1BR-1
CLINTON COUNTY
STATION 9+14.50
STRUCTURE NUMBER 014-0077