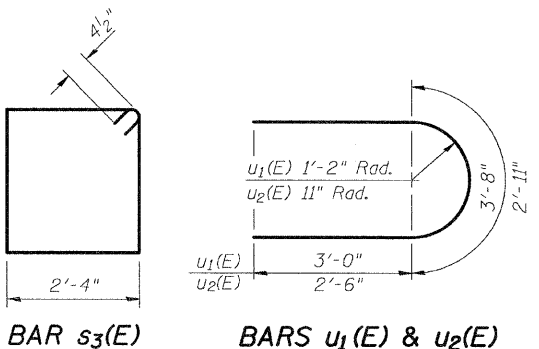


12/14/2007 11:59:39 AM

P:\02files\020409\02-0409.028 wo 17 bridge plans\bridge plans\014-0077_19_Pier1.dgn

ROUTE NO.	SECTION	COUNTY	TOTAL SHEETS	SHEET NO.
F.A.S. 1780	27-1BR-1	CLINTON	44	19
FED. ROAD DIST. NO. 8		ILLINOIS	FED. AID PROJECT	

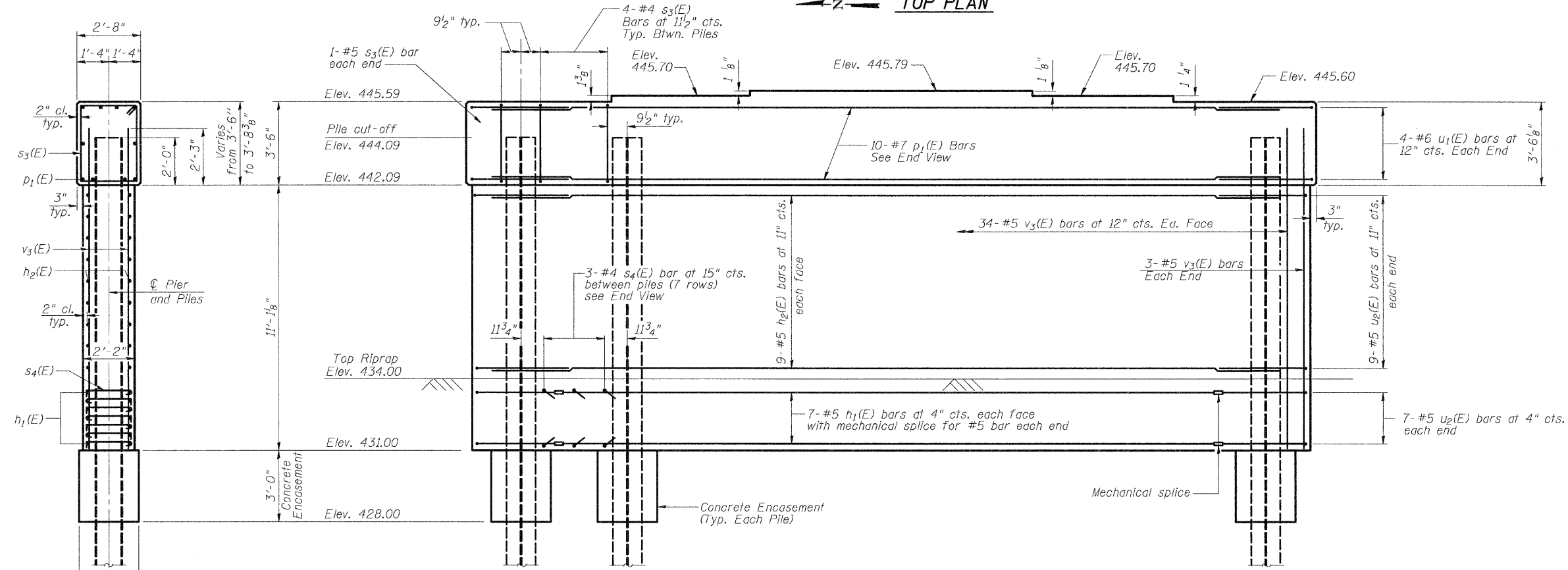
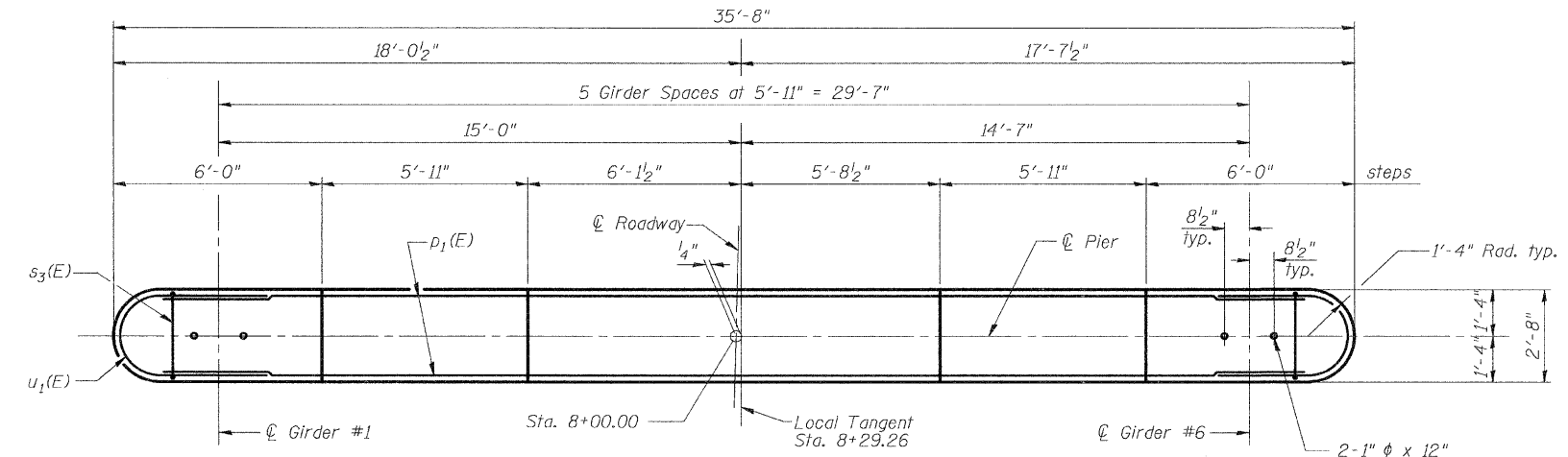
Contract # 76961



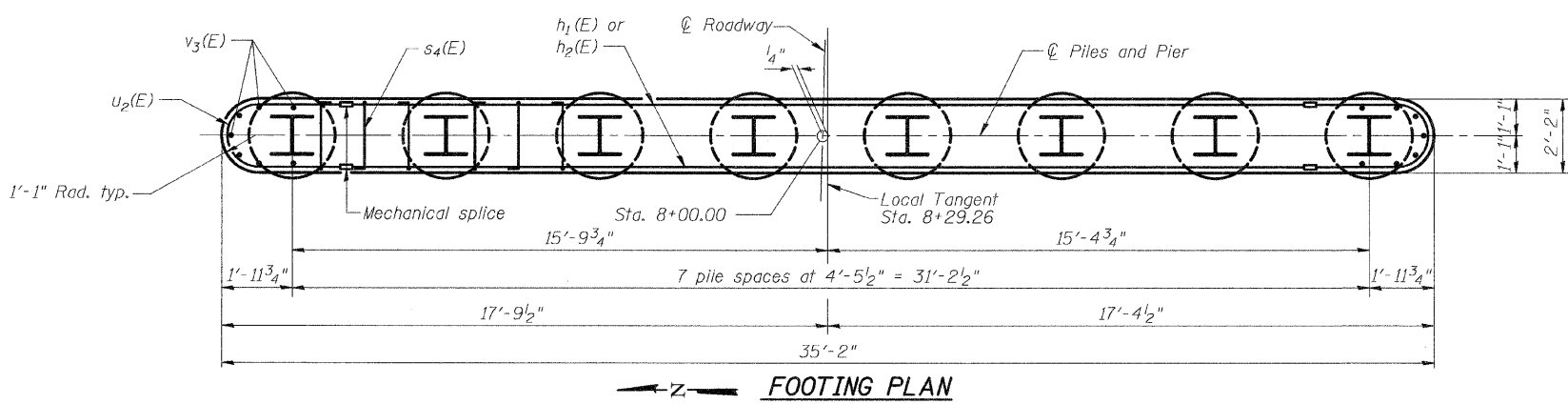
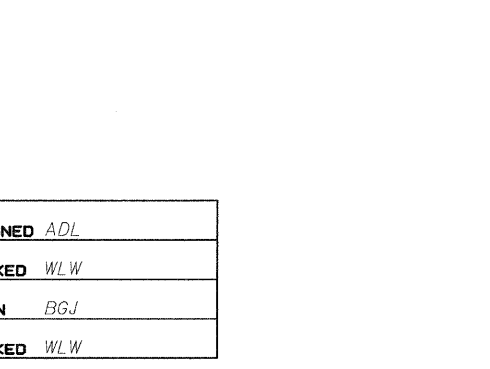
Notes:
 Space reinforcement in cap to miss anchor bolts.
 Pour steps monolithically with cap.
 For details of piles, and concrete encasements see sheet 24 of 27.

PILE DATA

Type: Steel HP 14x73
 Nominal Required Bearing: 578 kips
 Factored Resistance Available: 274 kips
 Est. Length: 44'-0"
 No. Production Piles: 7
 No. Test Piles: 1



END VIEW



BILL OF MATERIAL

Bar	No.	Size	Length	Shape
h ₁ (E)	14	#5	28'-0"	—
h ₂ (E)	18	#5	33'-0"	—
p ₁ (E)	10	#7	33'-0"	—
s ₃ (E)	30	#4	11'-9"	□
s ₄ (E)	147	#4	3'-1"	└┘
u ₁ (E)	8	#6	9'-8"	U
u ₂ (E)	32	#5	7'-11"	U
v ₃ (E)	74	#5	13'-4"	—
Concrete Structures		Cu. Yd.	43.4	
Reinforcement Bars Epoxy Coated		Pound	3650	
Structure Excavation		Cu. Yd.	26	
Test Pile Steel HP14x73		Each	1	
Furnishing Steel Piles HP14x73		Foot	308	
Driving Piles		Foot	308	
Mechanical Splice		each	28	
Concrete Encasement		Cu. Yd.	4.4	

PIER #1
 FAS RTE 1780 (OLD US 50) OVER SUGAR CREEK
 SECTION 27-1BR-1
 CLINTON COUNTY
 STATION 9+14.50
 STRUCTURE NUMBER 014-0077

DESIGNED	ADL
CHECKED	WLW
DRAWN	BGJ
CHECKED	WLW